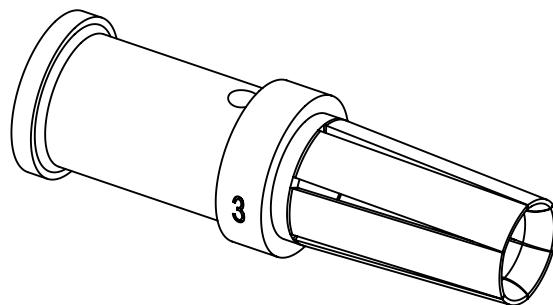



wire gauge: 3mm² / AWG 12
 stripping length: 6,5mm
 coating: silver plated



	All rights reserved		Created by	Inspected by	Standardisation	Date	State	
	Department EL PD - DE		HELLMANN	RIEPE	RUETERA	2017-09-25	Final Release	
HARTING Electric GmbH & Co. KG D-32339 Espelkamp			Title Han-Yellock F-c 3mm ² (Ag)				Doc-Key / ECM-Nr. 100189028/UGD/006/F 500000125260	
			Type	Number			Rev.	Page
			TB	11 05 000 6207			F	1/1