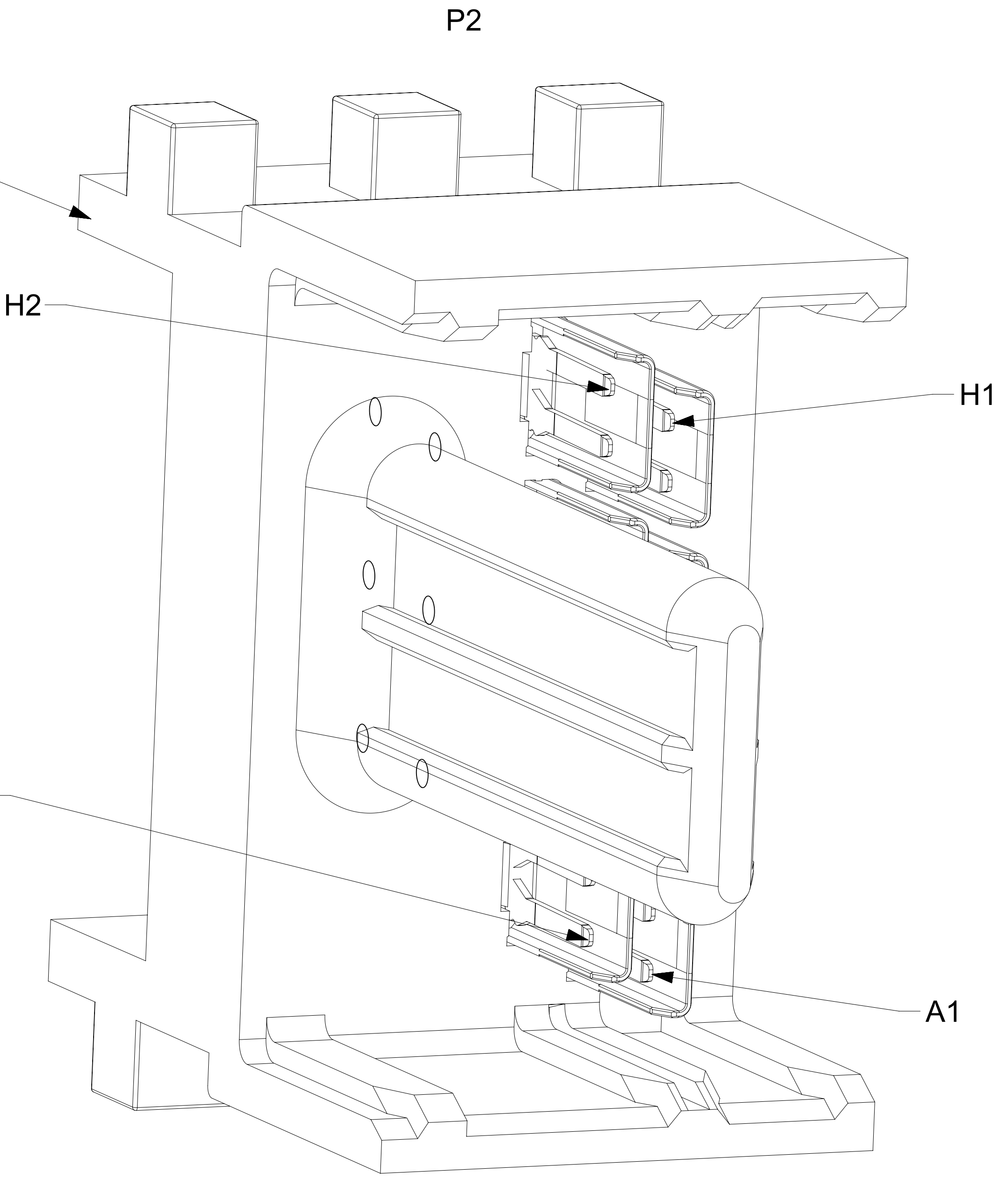


HEATSHRINK NOT SHOWN  
IN THESE VIEWS

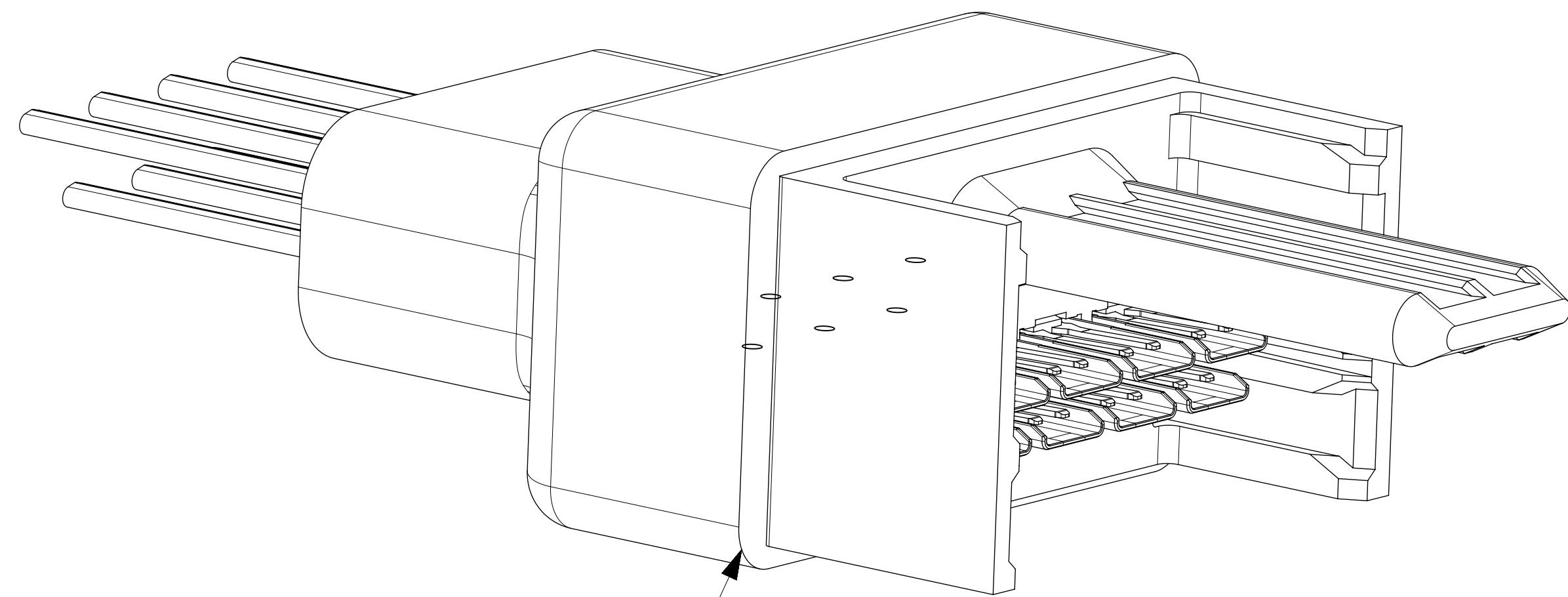


COLUMN	
P1	P2
A1	A2
B1	B2
C1	C2
D1	D2
E1	G2
F1	H2
G1	E2
H1	F2
A2	A1
B2	B1
C2	C1
D2	D1
E2	G1
F2	H1
G2	E1
H2	F1

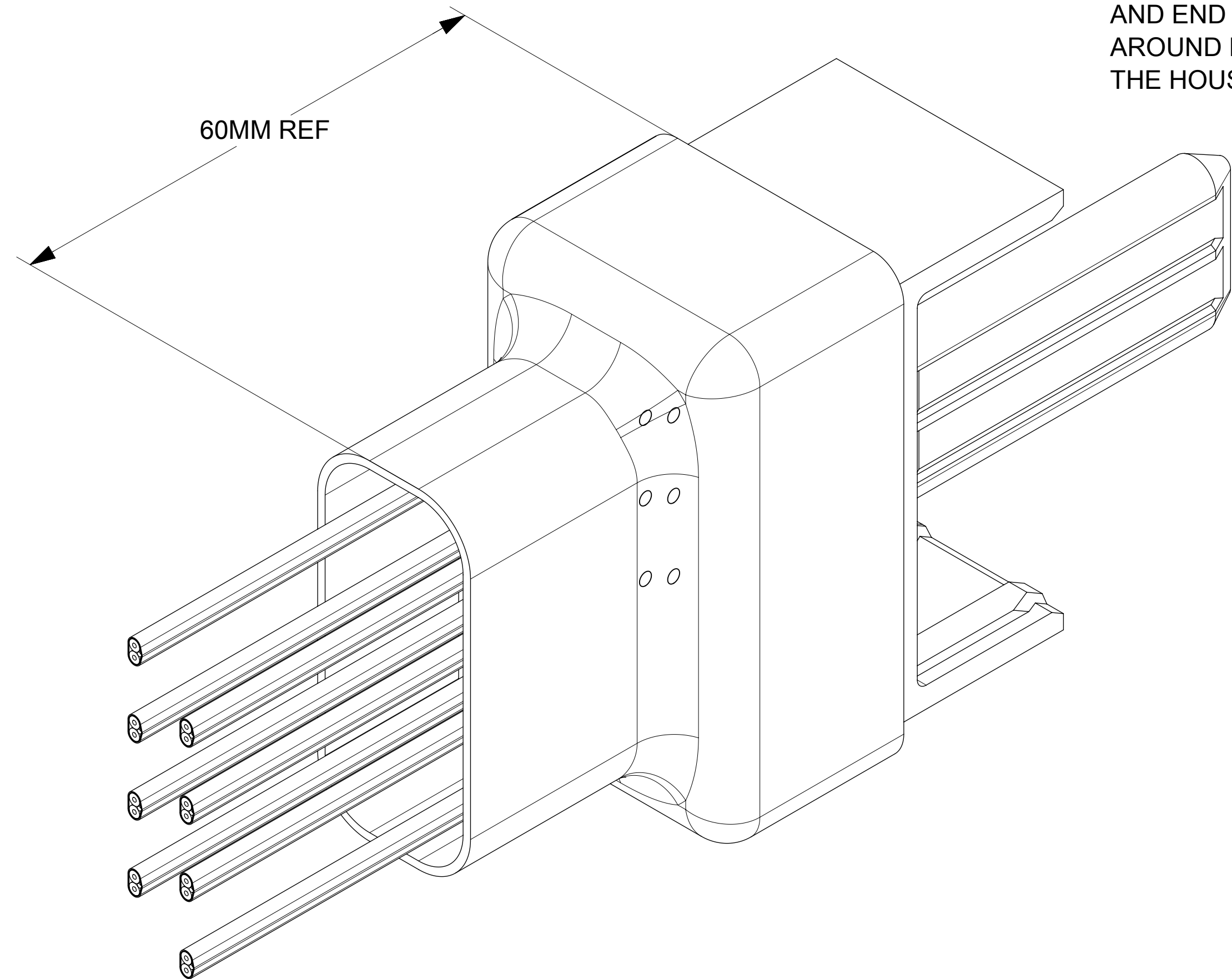
SL No.	PART #	LENGTH DIM "A"
1	2033879011	703
2	2033879031	1000
3	2033879030	1500

NOTES:  
 1. CABLE: 30 AWG, 90 OHM TWINAX  
 2. CONTACT MATERIAL: COPPER ALLOY  
 3. CONTACT PLATING: GOLD OVER NICKEL  
 4. WAFER OVERMOLDING MATERIAL: BLACK POLYCARBONATE  
 5. HOUSING MATERIAL: LIQUID CRYSTAL POLYMER  
 6. RoHS COMPLIANT, NO EXEMPTIONS  
 7. IT IS UNDERSTOOD AND AGREED THAT NO GUARANTEE OF COMPLIANCE TO ANY CUSTOMER SPECIFICATION OR MOLEX SPECIFICATION NOT LISTED ON THIS DRAWING IS MADE OR IMPLIED.  
 8. THE HEATSHRINK SHOWN IS A "REPRESENTATION" OF HOW THE ACTUAL HEAT SHRINK MAY APPEAR ON THE ACTUAL CABLE ASSEMBLIES. THE ACTUAL APPEARANCE WILL VARY.

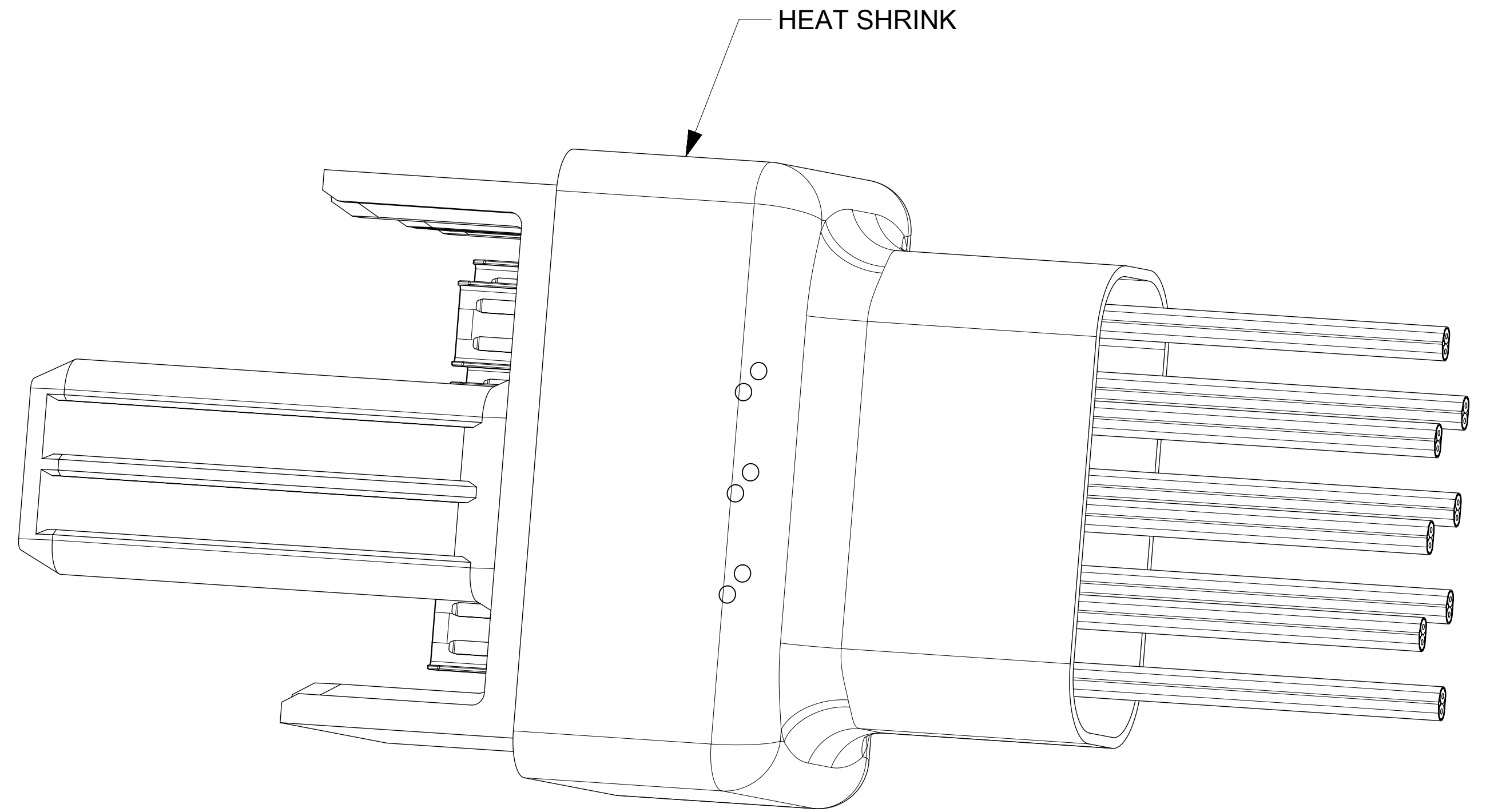
SYMBOLS	THIS DRAWING CONTAINS INFORMATION THAT IS PROPRIETARY TO MOLEX ELECTRONIC TECHNOLOGIES, LLC AND SHOULD NOT BE USED WITHOUT WRITTEN PERMISSION				
	DIMENSION UNITS	SCALE			
▽ = 0	mm	10:1	EC NO: 611731		
▽ = 0	GENERAL TOLERANCES (UNLESS SPECIFIED)		DRWN: ABN 2018/12/20		
▽ = 0	ANGULAR TOL	± 0.5°	CHK'D: ABN 2019/02/08		
▽ = 0	4 PLACES	±	APPR: KJANOTA 2019/02/08		
▽ = 0	3 PLACES	±	INITIAL REVISION:		
▽ = 0	2 PLACES	± 0.13	DRWN: NSRIVATSAHS 2017/10/13		
▽ = 0	1 PLACE	± 0.25	APPR: CHIRSCHY 2018/06/28		
▽ = 0	0 PLACES	±	DRAFT WHERE APPLICABLE MUST REMAIN WITHIN DIMENSIONS		
▽ = 0	THIRD ANGLE PROJECTION		DRAWING SERIES		
▽ = 0	D-DRAWING		D-SIZE 203387		
DOCUMENT NUMBER			DOCUMENT NUMBER		
2033879011			2033879011		
DOC TYPE			DOC PART		
PSD			000		
REVISION			B1		
MATERIAL NUMBER			CUSTOMER		
SEE TABLE			GENERAL MARKET		
SHEET NUMBER			1 OF 5		



THERE MAY BE SOME GAP BETWEEN BACK OF HOUSING AND END OF HEAT SHRINK AROUND PERIMETER OF THE HOUSING



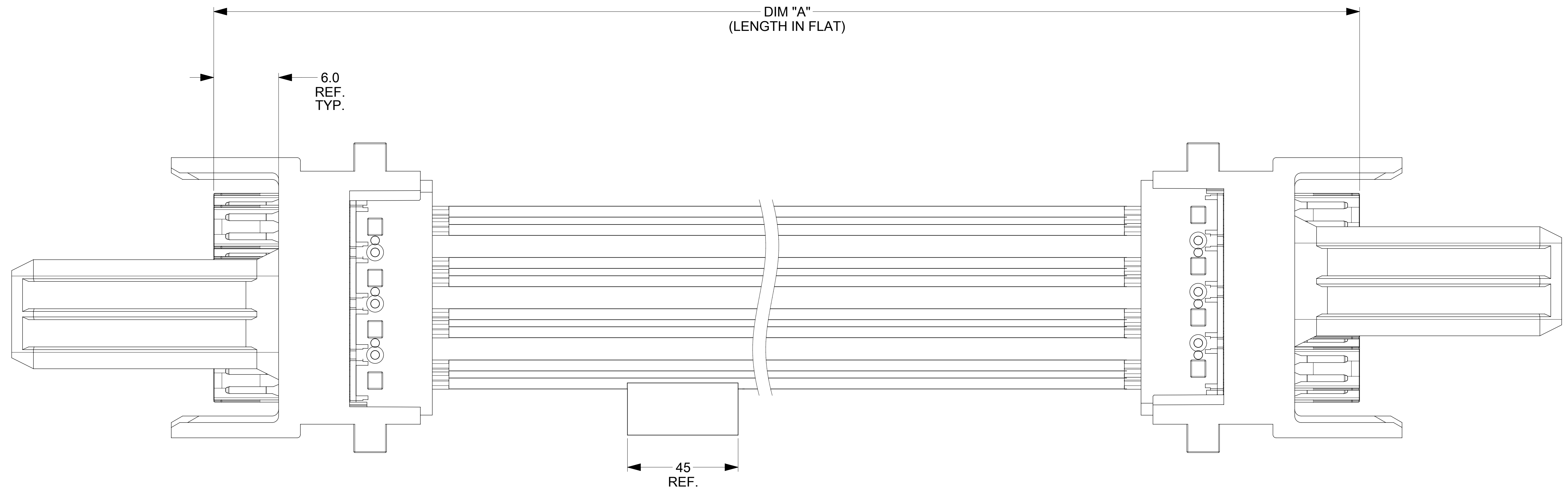
60MM REF



HEAT SHRINK

SYMBOLS	THIS DRAWING CONTAINS INFORMATION THAT IS PROPRIETARY TO MOLEX ELECTRONIC TECHNOLOGIES, LLC AND SHOULD NOT BE USED WITHOUT WRITTEN PERMISSION		
	DIMENSION UNITS	SCALE	CURRENT REV DESC: SEE REVISION TABLE
▽ = 0	mm	6:1	<b>molex</b> IMPEL TEST CABLE ASSY, CROSSOVER PRODUCT CUSTOMER DRAWING DOCUMENT NUMBER: 2033879011   DOC TYPE: PSD   DOC PART: 000   REVISION: B1 MATERIAL NUMBER: SEE SHEET 1   CUSTOMER: GENERAL MARKET   SHEET NUMBER: 2 OF 5
▽ = 0	GENERAL TOLERANCES (UNLESS SPECIFIED)		
▽ = 0	ANGULAR TOL ± 0.5°		
▽ = 0	4 PLACES	±	
▽ = 0	3 PLACES	±	
▽ = 0	2 PLACES	± 0.13	
▽ = 0	1 PLACE	± 0.25	
▽ = 0	0 PLACES	±	
☒ = 0	DRAFT WHERE APPLICABLE MUST REMAIN WITHIN DIMENSIONS		EC NO: 611731 DRWN: ABN 2018/12/20 CHK'D: ABN 2019/02/08 APPR: KJANOTA 2019/02/08 INITIAL REVISION: DRWN: NSRIVATSAHS 2017/10/13 APPR: CHIRSCHY 2018/06/28
☒ = 0	THIRD ANGLE PROJECTION	DRAWING	SERIES
			D-SIZE 203387

HEATSHRINK NOT SHOWN  
IN THIS VIEW



LABEL TO BE WRAPPED AROUND ONE CABLE  
LABEL TEXT TO BE:  
PART NO. CABLE LENGTH WIRE AWG  
BARCODE SERIAL NO.

SYMBOLS	THIS DRAWING CONTAINS INFORMATION THAT IS PROPRIETARY TO MOLEX ELECTRONIC TECHNOLOGIES, LLC AND SHOULD NOT BE USED WITHOUT WRITTEN PERMISSION		
	DIMENSION UNITS	SCALE	CURRENT REV DESC: SEE REVISION TABLE
▽ = 0	mm	1:1	<p><b>molex</b></p> <p>IMPEL TEST CABLE ASSY, CROSSOVER</p> <p>PRODUCT CUSTOMER DRAWING</p>
▽ = 0	GENERAL TOLERANCES (UNLESS SPECIFIED)		
▽ = 0	ANGULAR TOL ± 0.5°		
▽ = 0	4 PLACES	±	
▽ = 0	3 PLACES	±	
▽ = 0	2 PLACES	± 0.13	<p>EC NO: 611731</p> <p>DRWN: ABN 2018/12/20</p> <p>CHK'D: ABN 2019/02/08</p> <p>APPR: KJANOTA 2019/02/08</p>
▽ = 0	1 PLACE	± 0.25	
▽ = 0	0 PLACES	±	<p>INITIAL REVISION:</p> <p>DRWN: NSRIVATSAHS 2017/10/13</p> <p>APPR: CHIRSCHY 2018/06/28</p>
☒ = 0	DRAFT WHERE APPLICABLE	THIRD ANGLE PROJECTION	<p>DOCUMENT NUMBER</p> <p><b>2033879011</b></p>
■ = 0	MUST REMAIN WITHIN DIMENSIONS	DRAWING	
▽ = 0		D-DRAWING	<p>DOC TYPE</p> <p>PSD</p>
		SERIES	<p>DOC PART</p> <p>000</p>
			<p>REVISION</p> <p><b>B1</b></p>
			<p>MATERIAL NUMBER</p> <p>SEE SHEET 1</p>
			<p>CUSTOMER</p> <p>GENERAL MARKET</p>
			<p>SHEET NUMBER</p> <p>3 OF 5</p>

# LABEL DETAILS



YYDDLXXX = SERIAL NO.:

- YY = THE LAST TWO DIGITS OF THE YEAR
- DDD = THE DAY OF THE YEAR
- L = LOCATION:
  - 1 = USA
  - 2 = MEXICO
  - 3 = CHINA
  - 4 = PHILLIPINES
- XXXX = SERIES No. (0000~9999)

NOTES:

1. LABEL REQUIREMENT - ARIAL UNICODE MS FONT. FONT HEIGHT AROUND 2MM. GAP BETWEEN TEXT AND BARCODE 1.5MM MAX. BARCODE HEIGHT AROUND 6MM. BARCODE 128 B.

THIS DRAWING CONTAINS INFORMATION THAT IS PROPRIETARY TO MOLEX ELECTRONIC TECHNOLOGIES, LLC AND SHOULD NOT BE USED WITHOUT WRITTEN PERMISSION										
SYMBOLS	DIMENSION UNITS	SCALE	CURRENT REV DESC: SEE REVISION TABLE							
▽ = 0	mm	1:1	<div style="font-size: 24pt; font-weight: bold; margin-bottom: 10px;">molex</div> IMPEL TEST CABLE ASSY, CROSSOVER  PRODUCT CUSTOMER DRAWING							
▽ = 0	GENERAL TOLERANCES (UNLESS SPECIFIED)									
▽ = 0	ANGULAR TOL ± 0.5°									
▽ = 0	4 PLACES	±								
▽ = 0	3 PLACES	±								
▽ = 0	2 PLACES	± 0.13	EC NO: 611731 DRWN: ABN 2018/12/20 CHK'D: ABN 2019/02/08 APPR: KJANOTA 2019/02/08 INITIAL REVISION: DRWN: NSRIVATSAHS 2017/10/13 APPR: CHIRSCHY 2018/06/28							
▽ = 0	1 PLACE	± 0.25								
▽ = 0	0 PLACES	±								
☒ = 0	DRAFT WHERE APPLICABLE MUST REMAIN WITHIN DIMENSIONS		THIRD ANGLE PROJECTION		DRAWING		SERIES		MATERIAL NUMBER	
▽ = 0			D-SIZE		203387		SEE SHEET 1		GENERAL MARKET	
			PSD		000		B1		SHEET NUMBER	
			4 OF 5							

DATE	REV	DESCRIPTION
	1	INITIAL RELEASE
06/25/2018	A	50MM REF CHANGED TO 60MM REF ON SHEET2.
07/27/2018	B	CUSTOMER NAME CHANGED TO GENERAL MARKET SHEET 1: ADDED NEW PART NO. @ZONE D5 SHEET 3: LABEL TEXT DETAIL CHANGED @ ZONE E15 INTRODUCED LABEL LENGTH DIM AS 45 REF @ZONE F12 DIM "A" WAS 703 @ZONE K11 SHEET 4 : ADDED SHEET FOR LABEL DETAILS
12/20/2018	B1	DOCUMENT TYPE CHANGED FROM RSD TO PSD IN THE ECTR ATTRIBUTES.

SYMBOLS	THIS DRAWING CONTAINS INFORMATION THAT IS PROPRIETARY TO MOLEX ELECTRONIC TECHNOLOGIES, LLC AND SHOULD NOT BE USED WITHOUT WRITTEN PERMISSION							
	DIMENSION UNITS	SCALE	CURRENT REV DESC: SEE REVISION TABLE					
= 0	mm	1:1	<p><b>molex</b></p> <p>IMPEL TEST CABLE ASSY, CROSSOVER</p> <p>PRODUCT CUSTOMER DRAWING</p> <p>EC NO: 611731 DRWN: ABN 2018/12/20 CHK'D: ABN 2019/02/08 APPR: KJANOTA 2019/02/08</p> <p>INITIAL REVISION: DRWN: NSRIVATSAHS 2017/10/13 APPR: CHIRSCHY 2018/06/28</p>					
= 0	GENERAL TOLERANCES (UNLESS SPECIFIED)							
= 0	ANGULAR TOL ± 0.5°							
= 0	4 PLACES ±							
= 0	3 PLACES ±							
= 0	2 PLACES ± 0.13							
= 0	1 PLACE ± 0.25							
= 0	0 PLACES ±							
= 0	DRAFT WHERE APPLICABLE MUST REMAIN WITHIN DIMENSIONS							
= 0	THIRD ANGLE PROJECTION	DRAWING						
			D-SIZE	203387	SEE SHEET 1	GENERAL MARKET	5 OF 5	

DOCUMENT NUMBER				DOC TYPE	DOC PART	REVISION
2033879011				PSD	000	B1