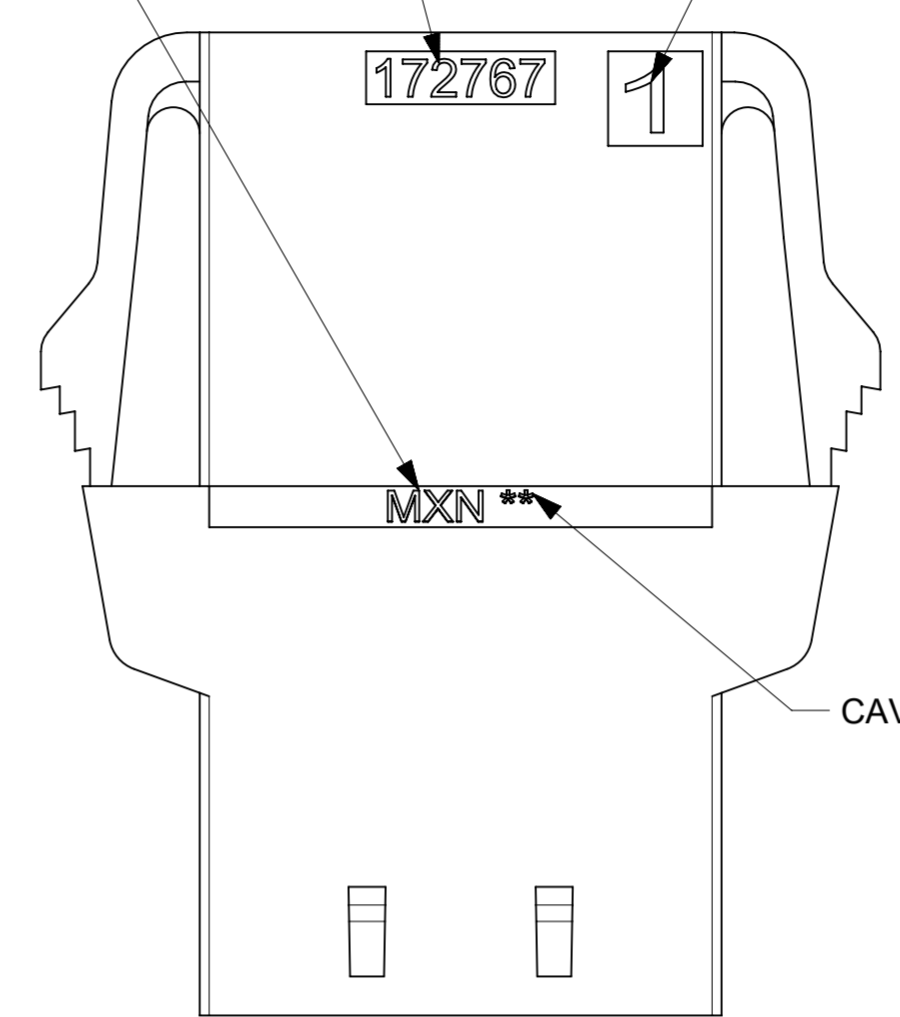
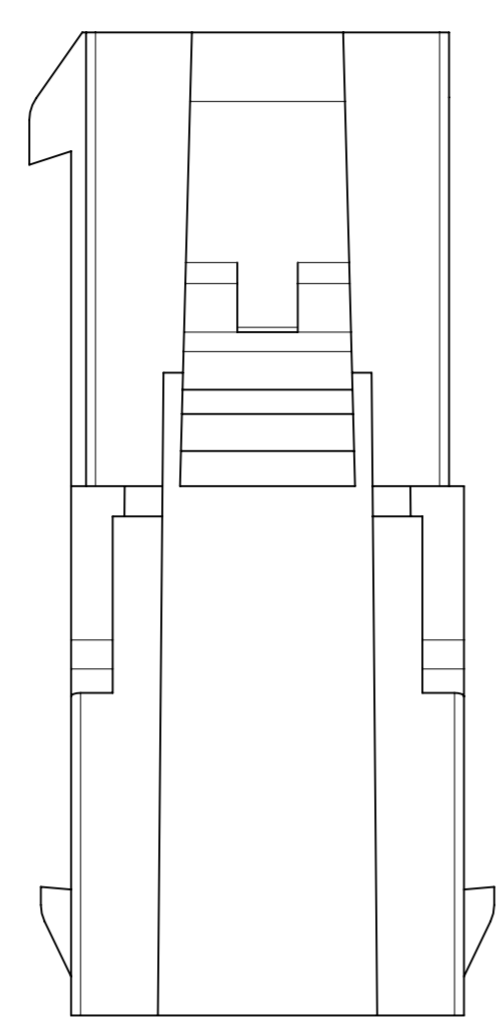


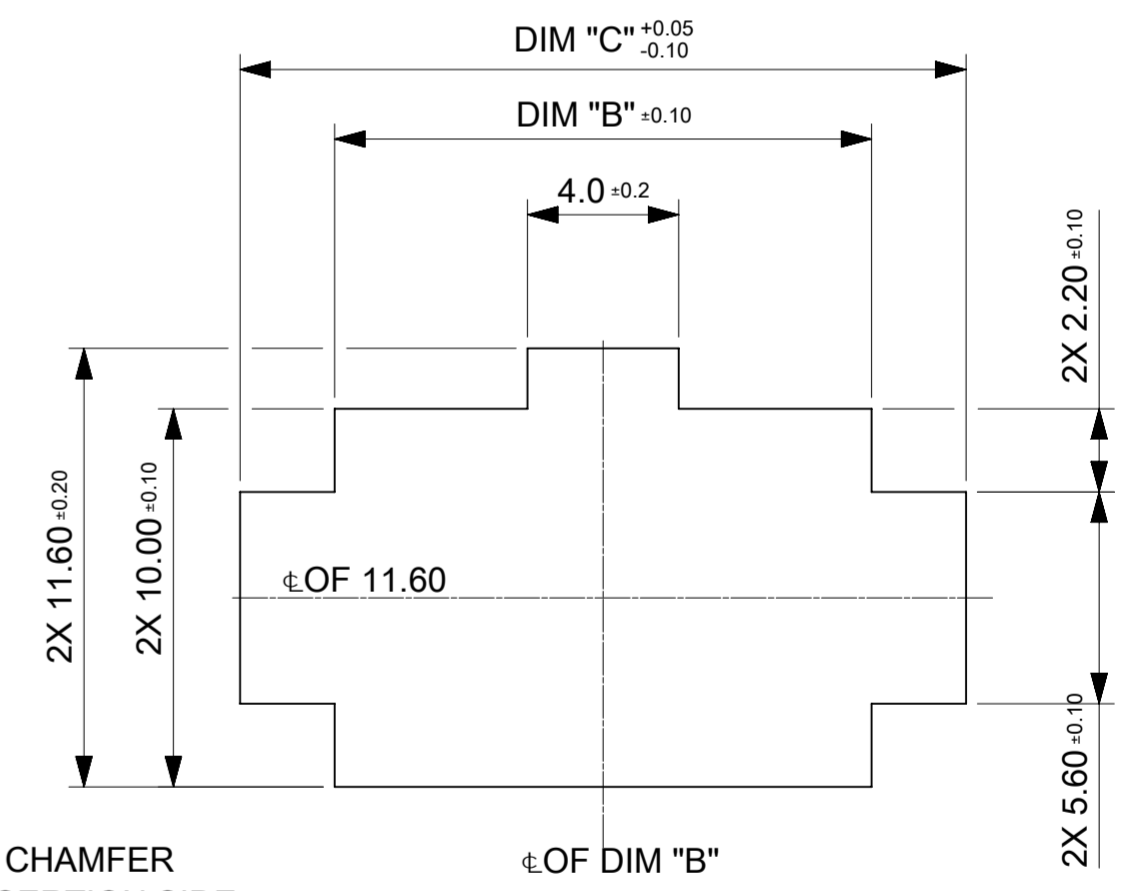
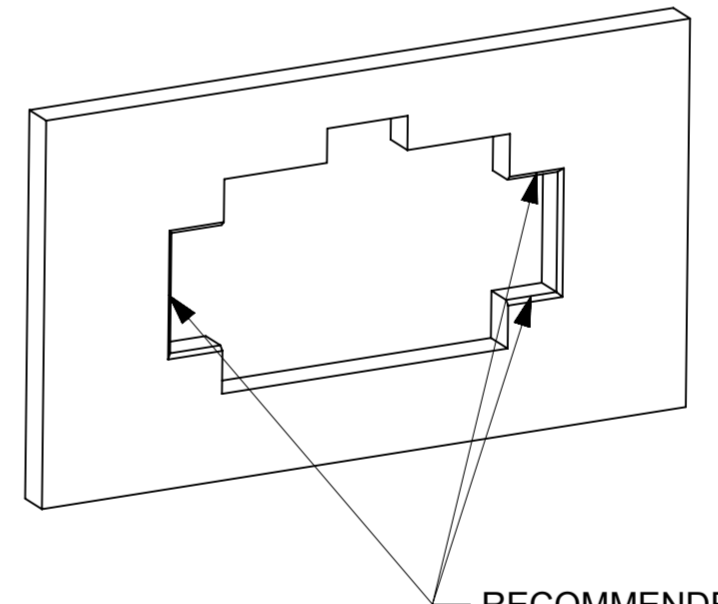
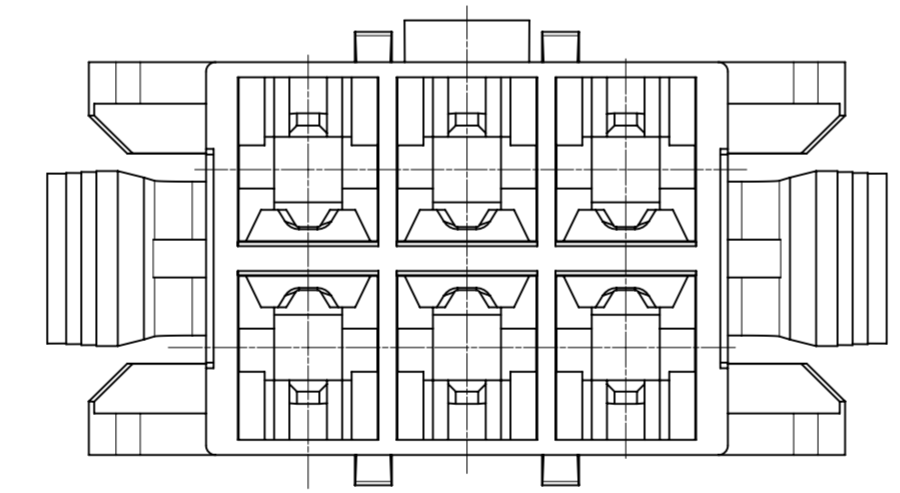
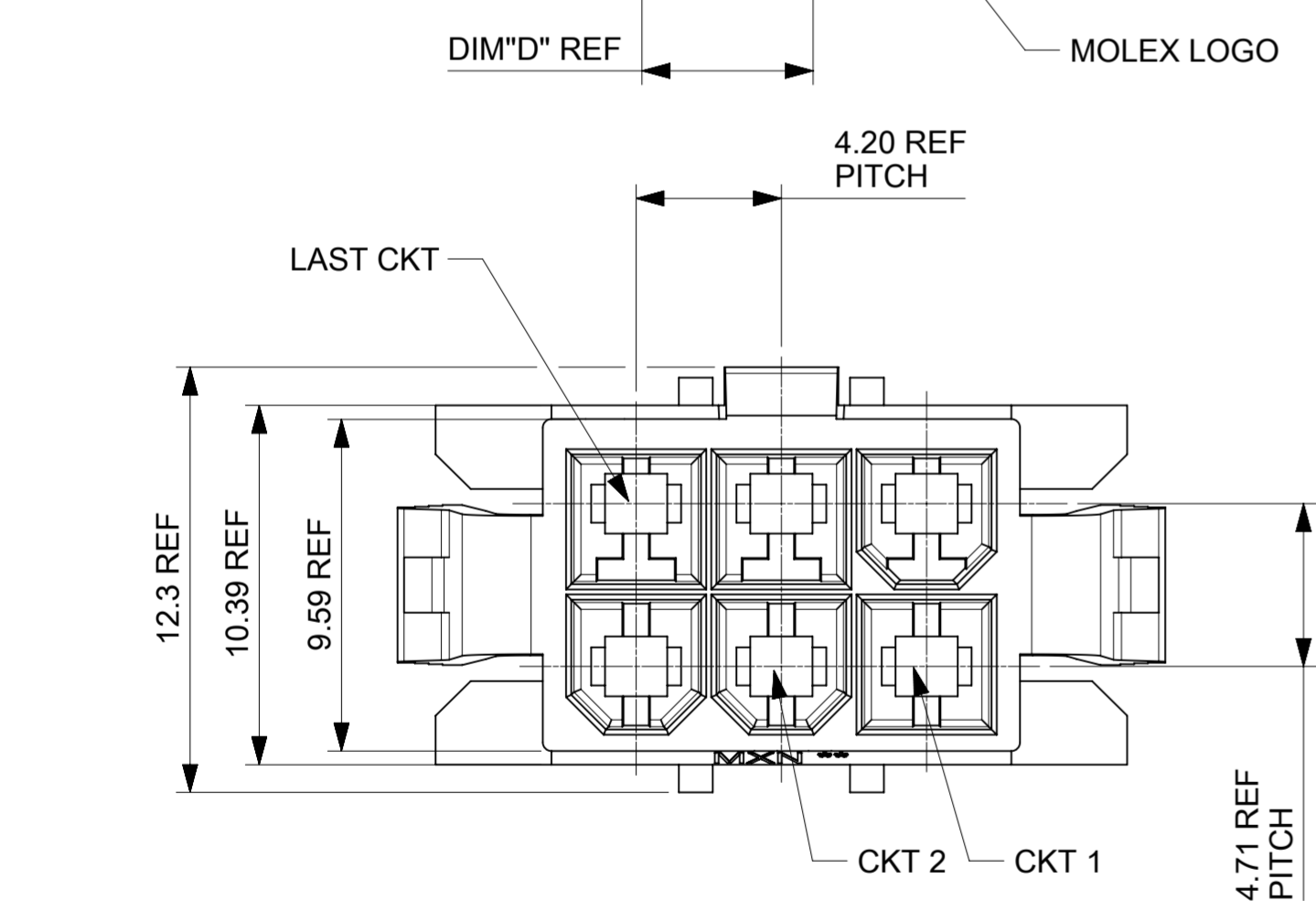
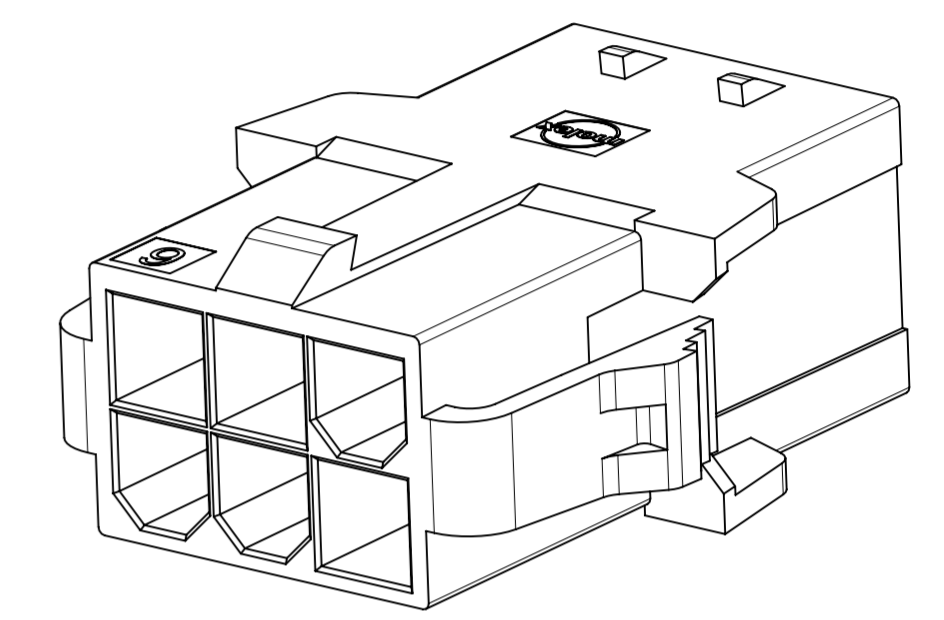
LAST CKT CODE

PLUG SERIES FIRST CKT CODE

MOLEX PLANT CODE



PLUG P/N	CKT	DIM "A"	DIM "B"	DIM "C"	DIM "D"
1727673002	2	5.40	5.80	10.80	4.95
1727673004	4	9.60	10.00	15.00	4.95
1727673006	6	13.80	14.20	19.20	4.95
1727673008	8	18.00	18.40	23.40	4.95
1727673010	10	22.20	22.60	27.60	12.95
1727673012	12	26.40	26.80	31.80	12.95
1727673014	14	30.60	31.00	36.00	12.95
1727673016	16	34.80	35.20	40.20	12.95
1727673018	18	39.00	39.40	44.40	20.95



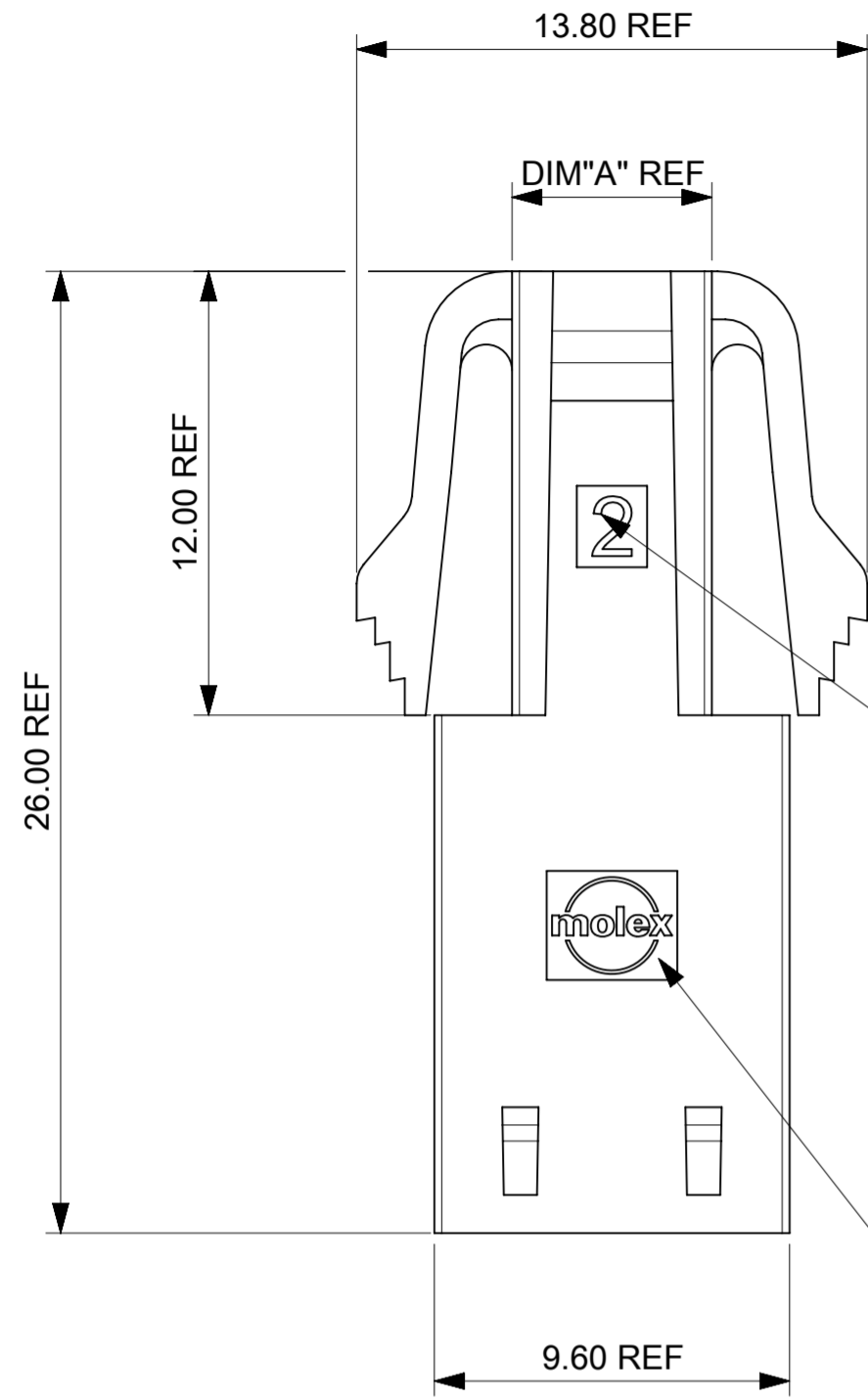
RECOMMENDED CHAMFER  
C0.20~0.30 AT INSERTION SIDE

RECOMMENDED PANEL CUT-OUT DIMENSIONS  
PANEL THICKNESS 0.80-2.00MM

- NOTES:
- MATERIAL:  
NYLON, UL 94V-0 AND GLOW WIRE CAPABLE PER IEC60335-1; COLOR: BLACK
  - FINISH: NONE
  - PRODUCT SPECIFICATION: 2131370000-PS/2029880002-PS  
APPLICATION SPECIFICATION: 2131370000-AS
  - PACKAGING SPECIFICATION: 172762-0001-PK  
REFER TO AS-45499-001 FOR MOISTURIZING NYLON CONNECTOR PARTS.
  - THIS PART TO BE USED WITH FEMALE TERMINAL SERIES 172765, 203070 AND TPA SERIES 172709-2\*\*\*.
  - THIS PART MATES WITH SERIES 172708-1\*\*\*
  - THIS PART CONFORMS TO CLASS 'B' REQUIREMENTS OF COSMETIC SPECIFICATION PS-45499-002.
  - SEE DRAWING 1727090002-SD FOR OTHER TPA INFORMATION.
  - SEE DRAWING 1727080002-SD FOR OTHER RECEPTACLE INFORMATION.
  - SEE DRAWINGS SD-172718-0000 AND 2029880001-PSD FOR OTHER CRIMP TERMINAL INFORMATION.

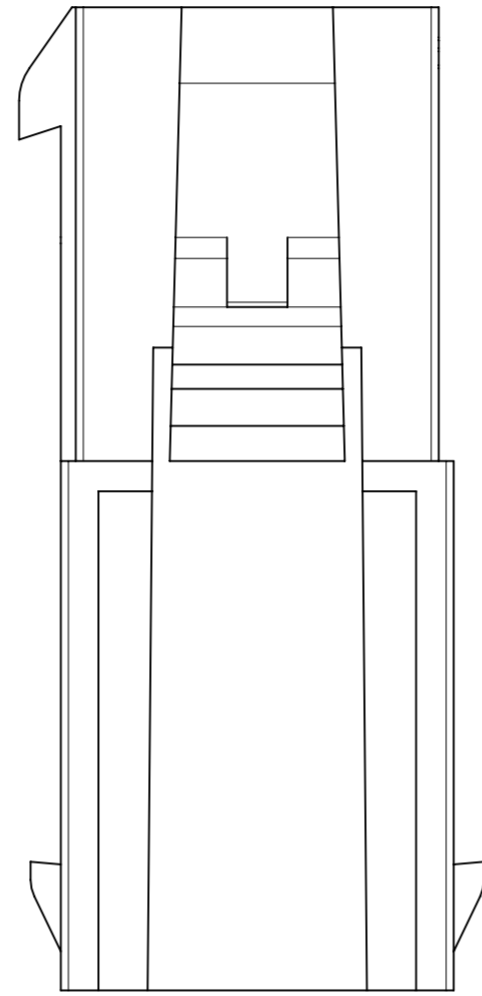
THIS DRAWING CONTAINS INFORMATION THAT IS PROPRIETARY TO MOLEX ELECTRONIC TECHNOLOGIES, LLC AND SHOULD NOT BE USED WITHOUT WRITTEN PERMISSION

DIMENSION UNITS	SCALE	CURRENT REV DESC:		<b>molex</b>		
mm	NTS					
GENERAL TOLERANCES (UNLESS SPECIFIED)				SD-DRAWING OF MINI-FIT SIGMA DR PLUG		
ANGULAR TOL	±	°		PRODUCT CUSTOMER DRAWING		
4 PLACES	±	EC NO: 735375		DOCUMENT NUMBER		
3 PLACES	±	DRWN: JERRYW8 2023/01/06		1727670002-SD		
2 PLACES	±	CHK'D: XQZHANG 2023/02/01		DOC TYPE   DOC PART   REVISION		
1 PLACE	±	APPR: XQZHANG 2023/02/01		PSD   000   A6		
0 PLACES	±	INITIAL REVISION:		MATERIAL NUMBER		
DRAFT WHERE APPLICABLE MUST REMAIN WITHIN DIMENSIONS		THIRD ANGLE PROJECTION		DRAWING		SHEET NUMBER
		DRAWING		SERIES		
		A2-SIZE		172767		
		SEE TABLE		GENERAL MARKET		1 OF 4



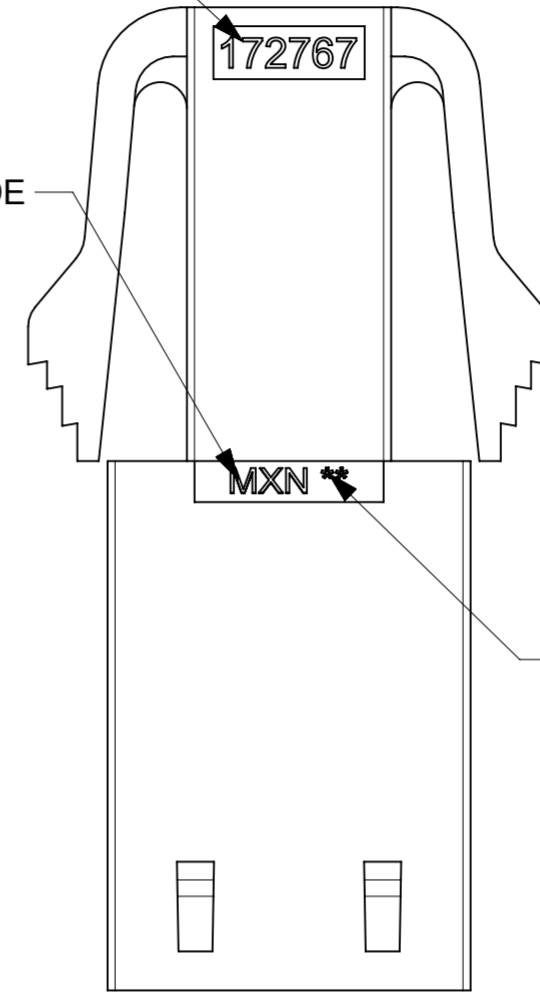
LAST CKT CODE

MOLEX LOGO

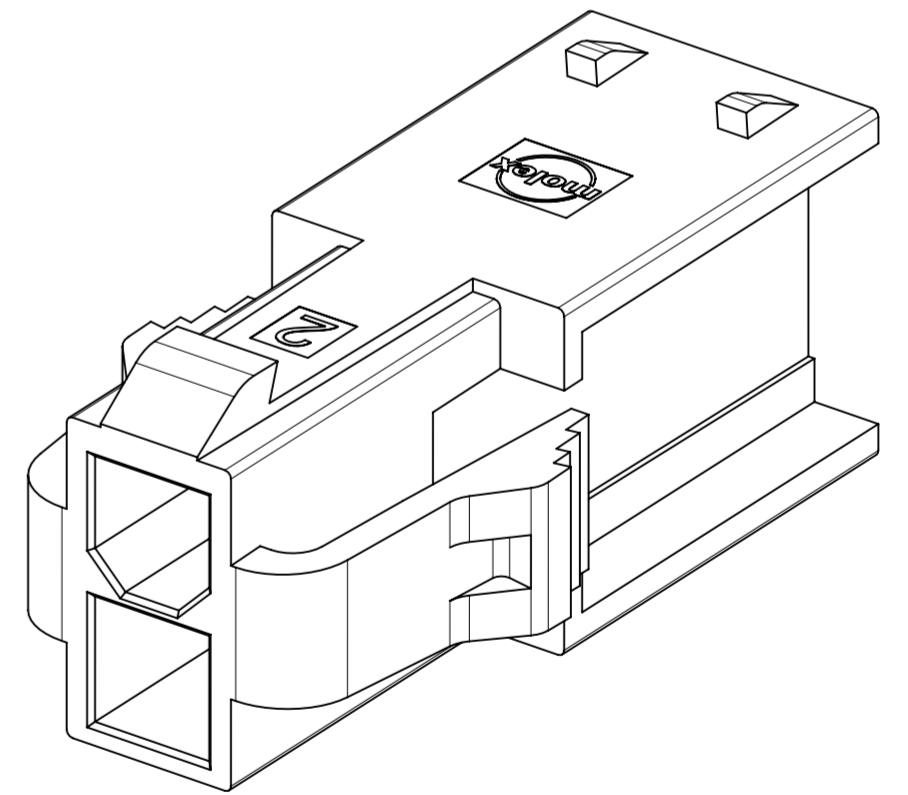
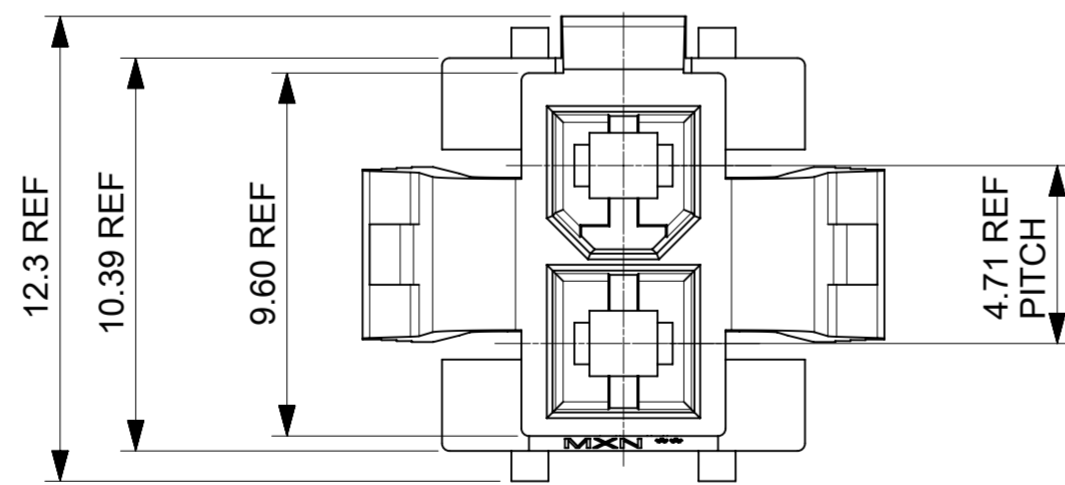
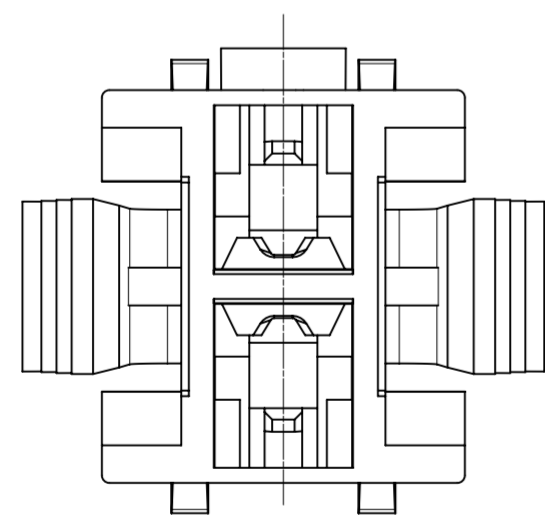


PLUG SERIES

MOLEX PLANT CODE

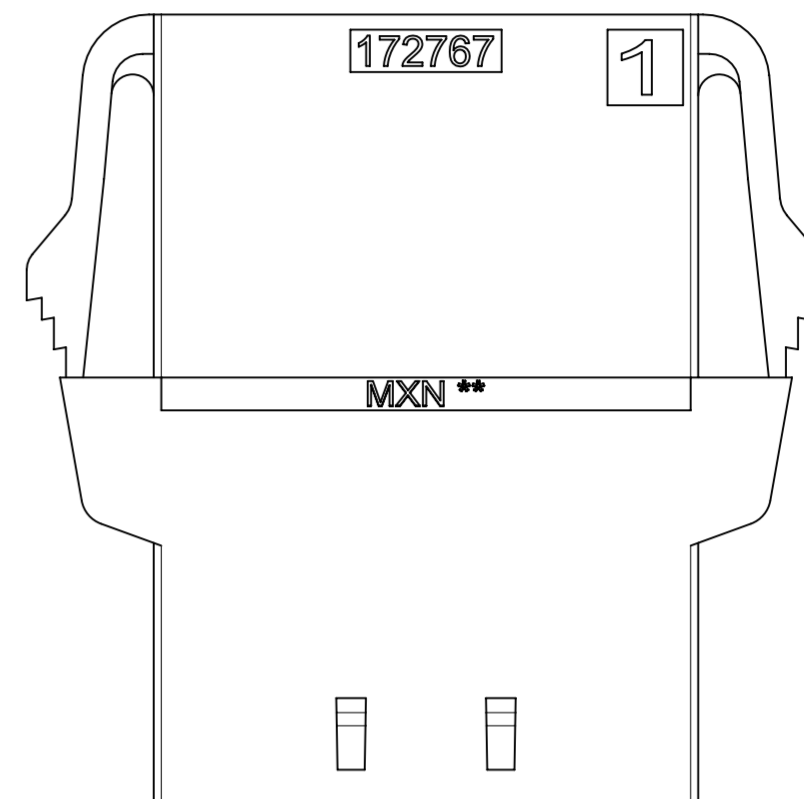
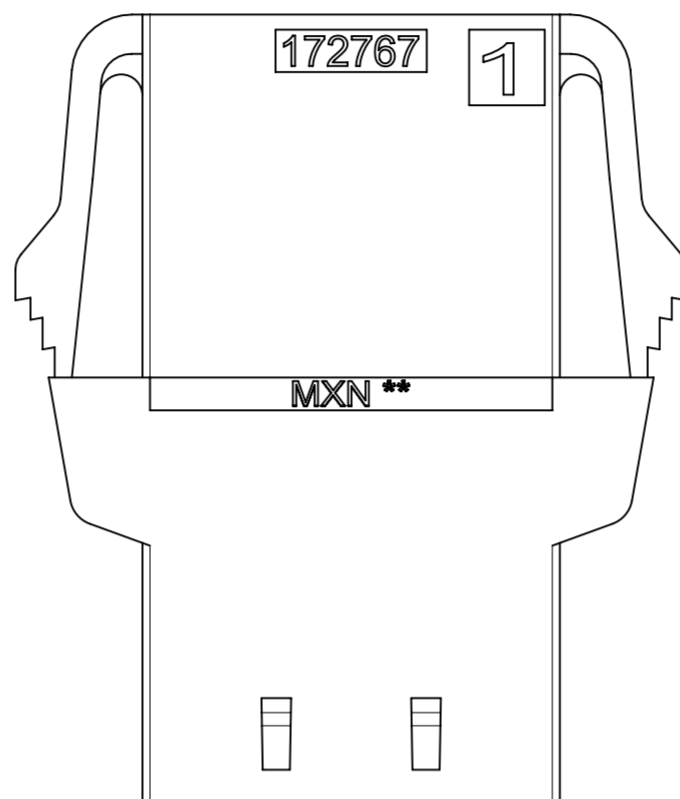
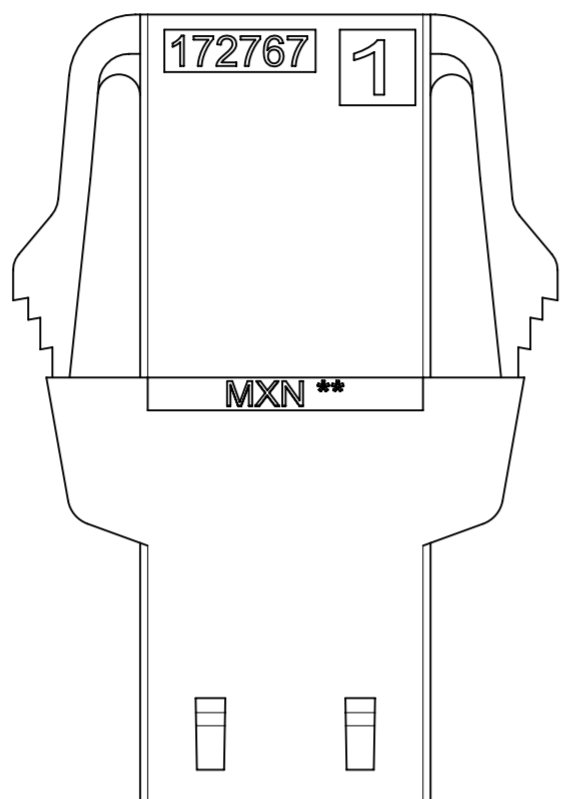
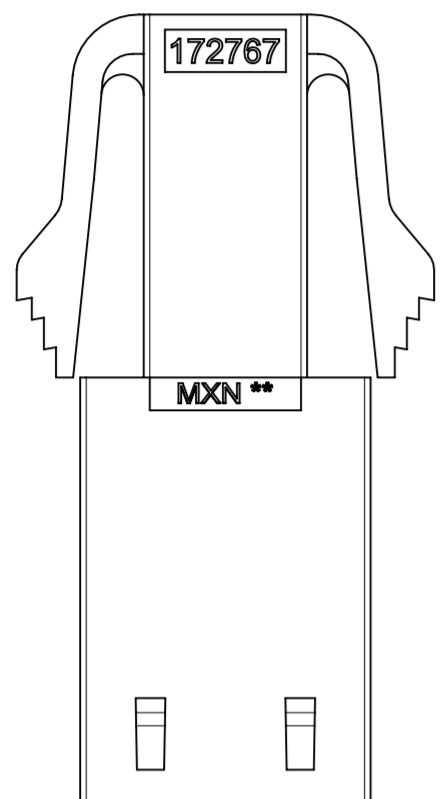
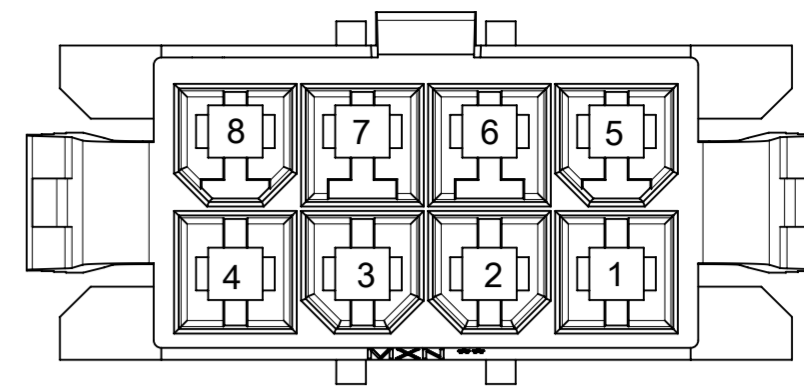
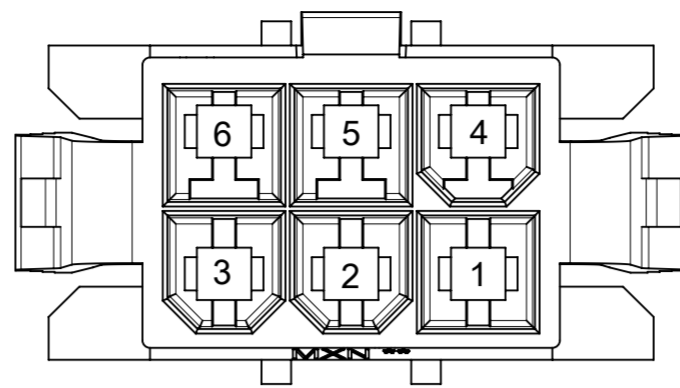
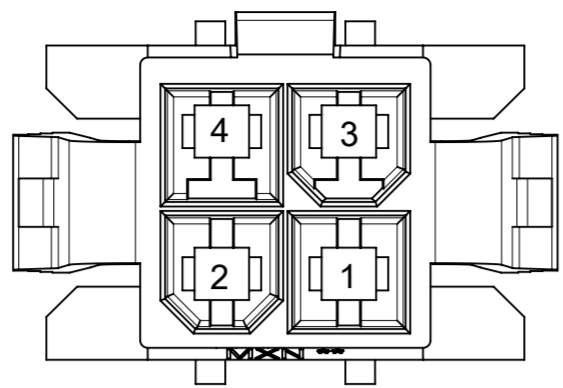
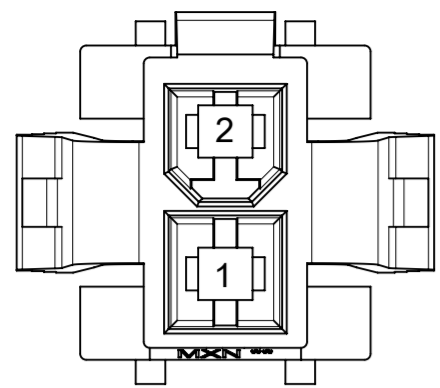


CAVITY CODE



THIS DRAWING CONTAINS INFORMATION THAT IS PROPRIETARY TO MOLEX ELECTRONIC TECHNOLOGIES, LLC AND SHOULD NOT BE USED WITHOUT WRITTEN PERMISSION

DIMENSION UNITS	SCALE	CURRENT REV DESC:				<b>molex</b>				
mm	NTS									
GENERAL TOLERANCES (UNLESS SPECIFIED)						SD-DRAWING OF MINI-FIT SIGMA DR PLUG				
ANGULAR TOL	± °					PRODUCT CUSTOMER DRAWING				
4 PLACES	±	EC NO: 735375	2023/01/06			DOCUMENT NUMBER		DOC TYPE	DOC PART	REVISION
3 PLACES	±	DRWN: JERRYW8	2023/02/01			1727670002-SD		PSD	000	A6
2 PLACES	± 0.25	CHK'D: XQZHANG	2023/02/01			MATERIAL NUMBER		CUSTOMER		SHEET NUMBER
1 PLACE	± 0.36	APPR: XQZHANG	2023/02/01	INITIAL REVISION:		2019/09/24		GENERAL MARKET		2 OF 4
0 PLACES	±	DRWN: ALUO02	2019/10/11	APPR: YXZHENG		2019/10/11				
DRAFT WHERE APPLICABLE MUST REMAIN WITHIN DIMENSIONS		THIRD ANGLE PROJECTION		DRAWING	SERIES	MATERIAL NUMBER		CUSTOMER		SHEET NUMBER
				A2-SIZE	172767	SEE TABLE		GENERAL MARKET		2 OF 4

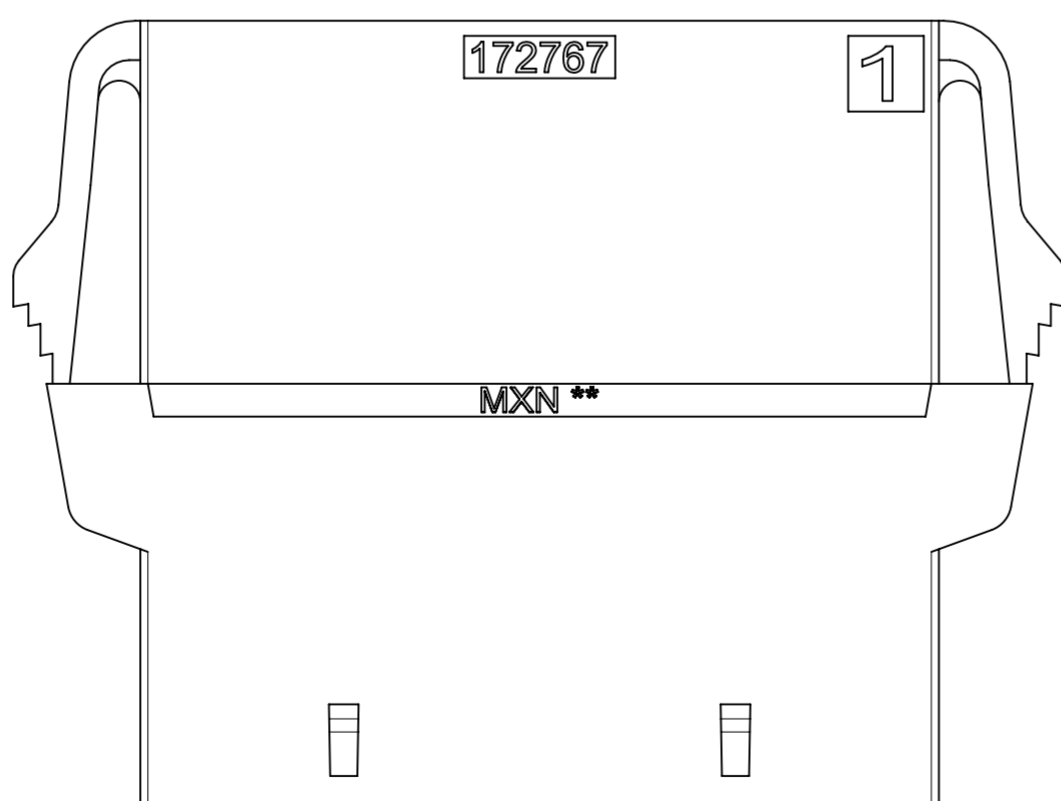
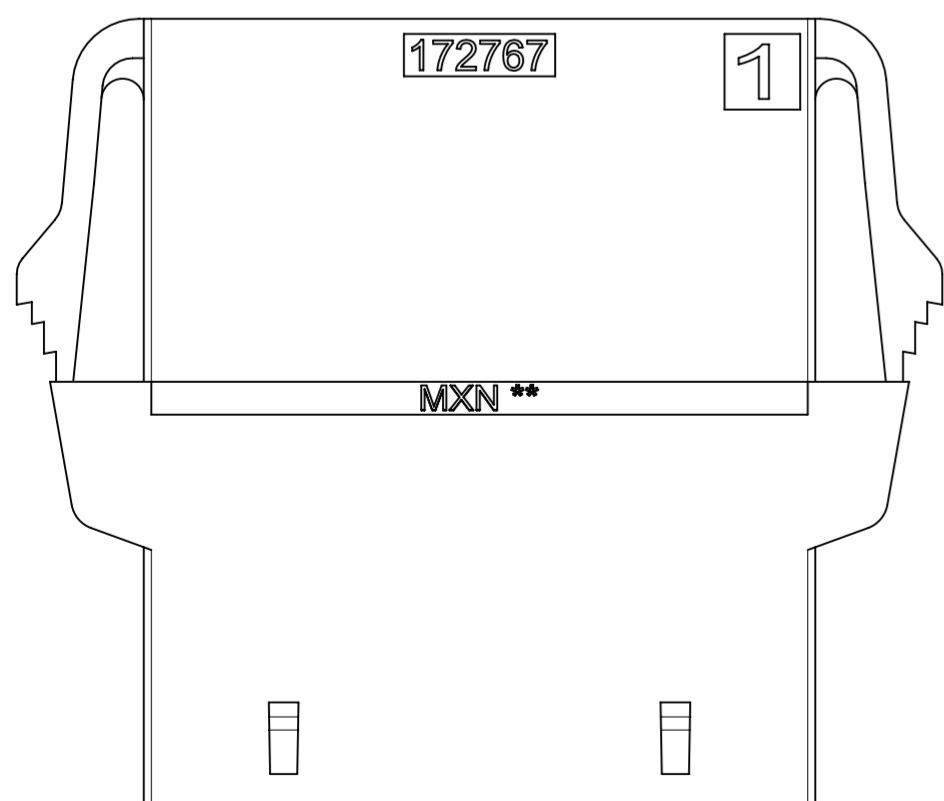
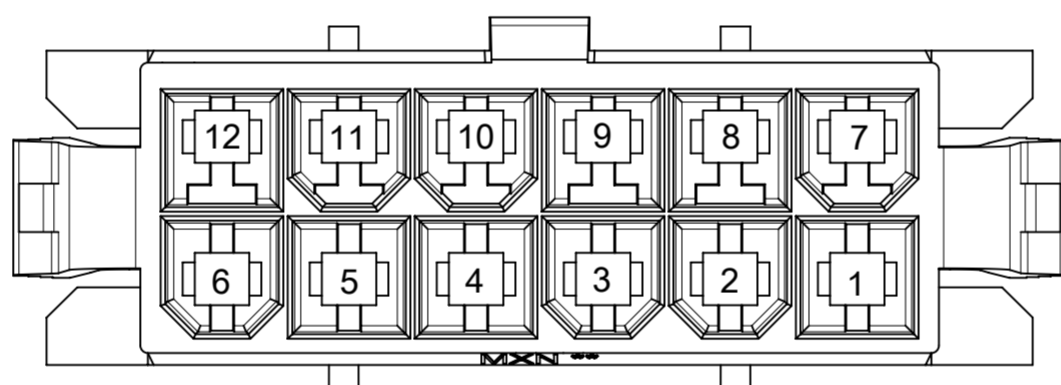
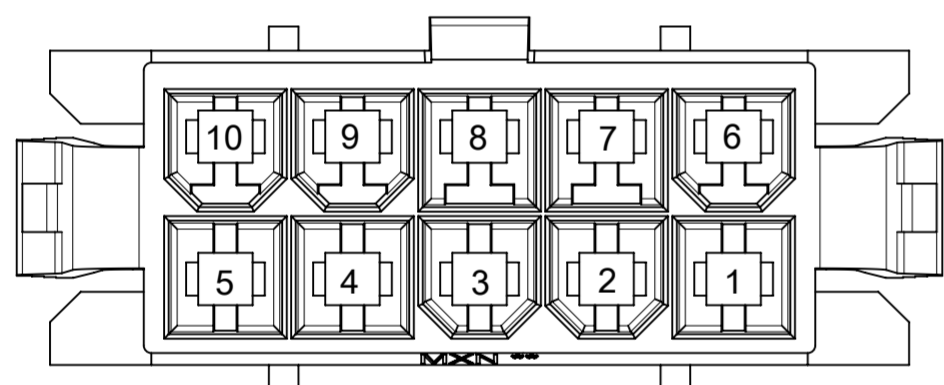


2-CKT

4-CKT

6-CKT

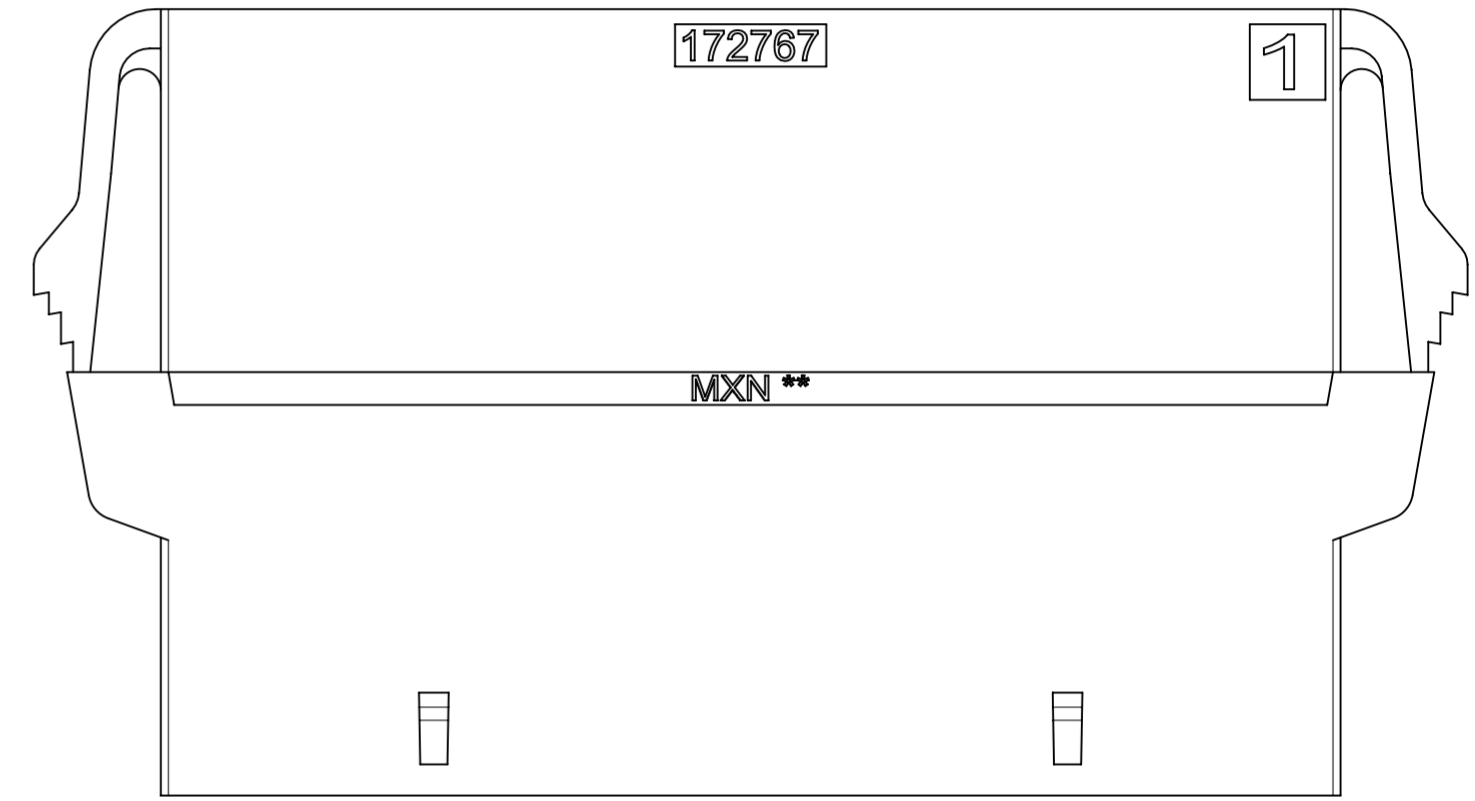
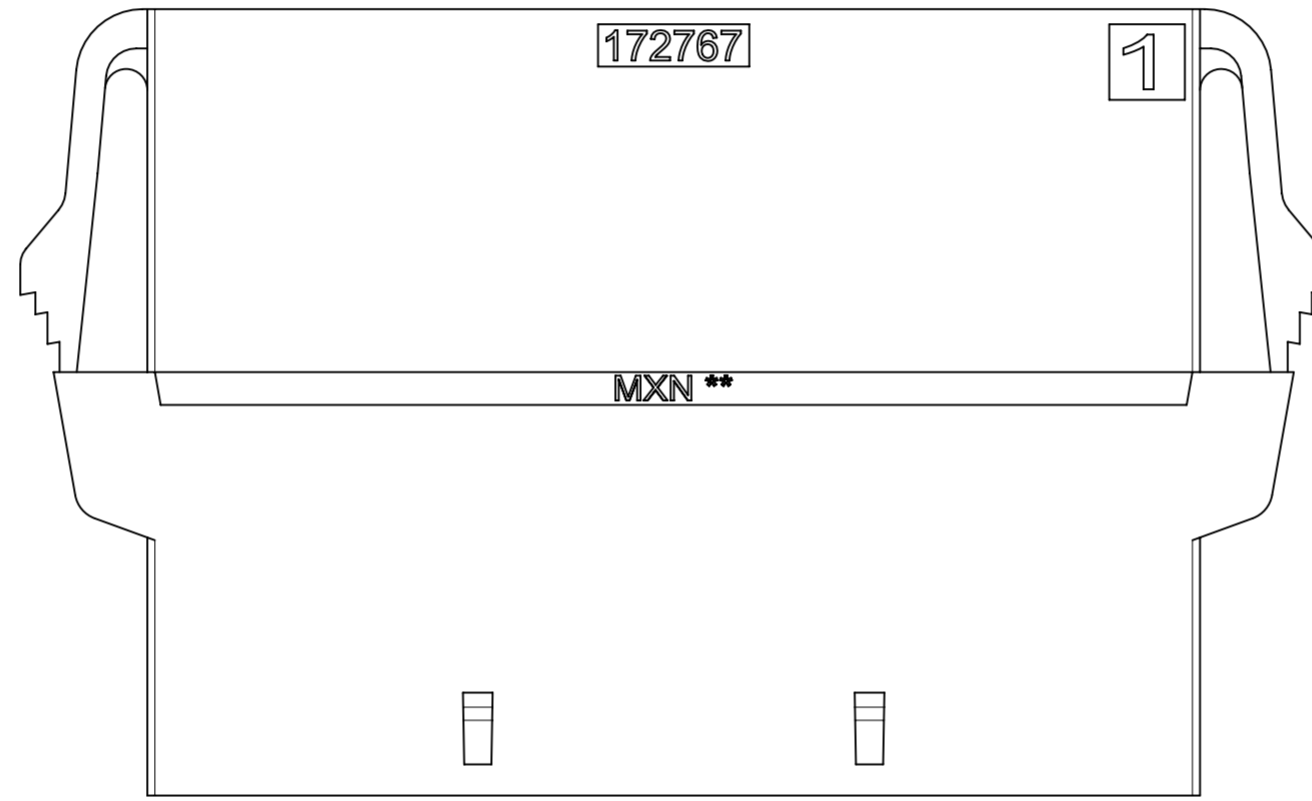
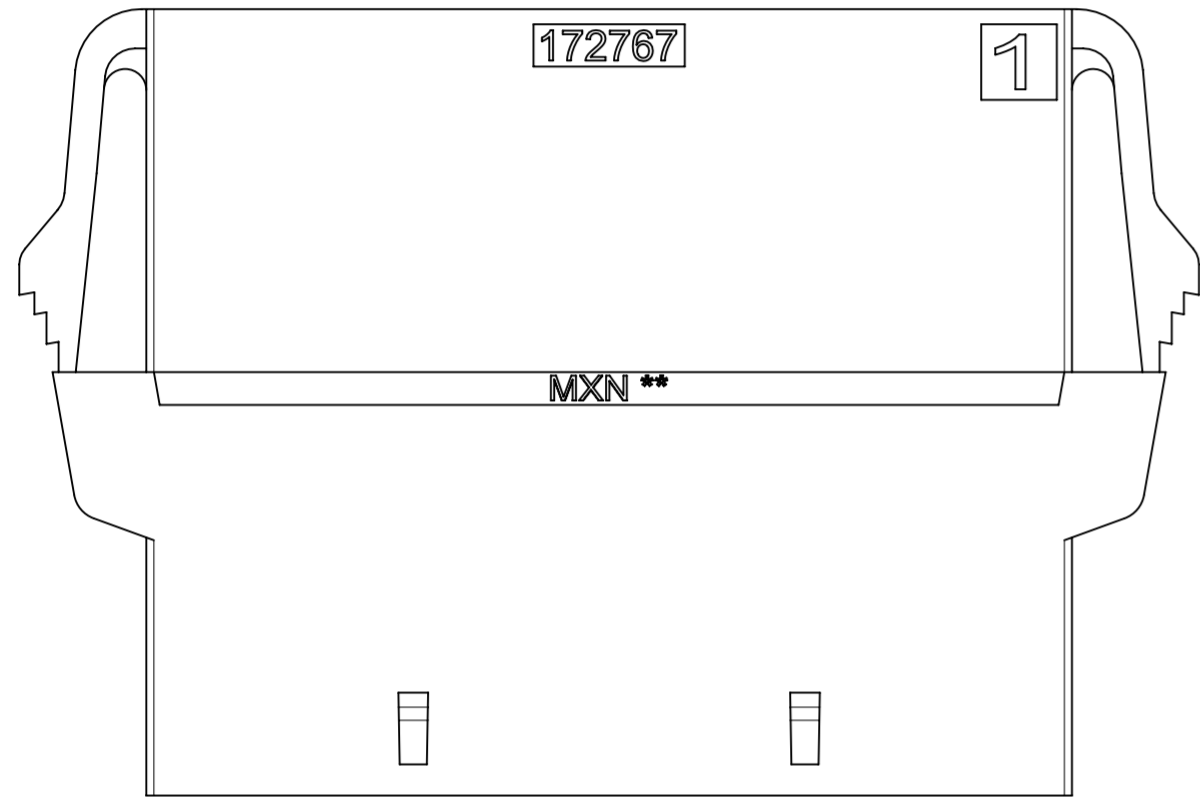
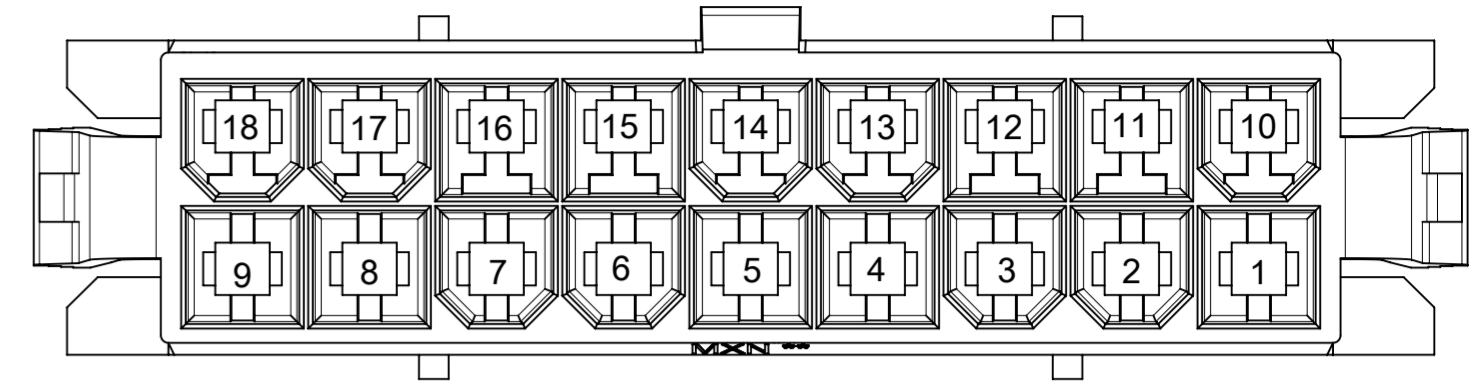
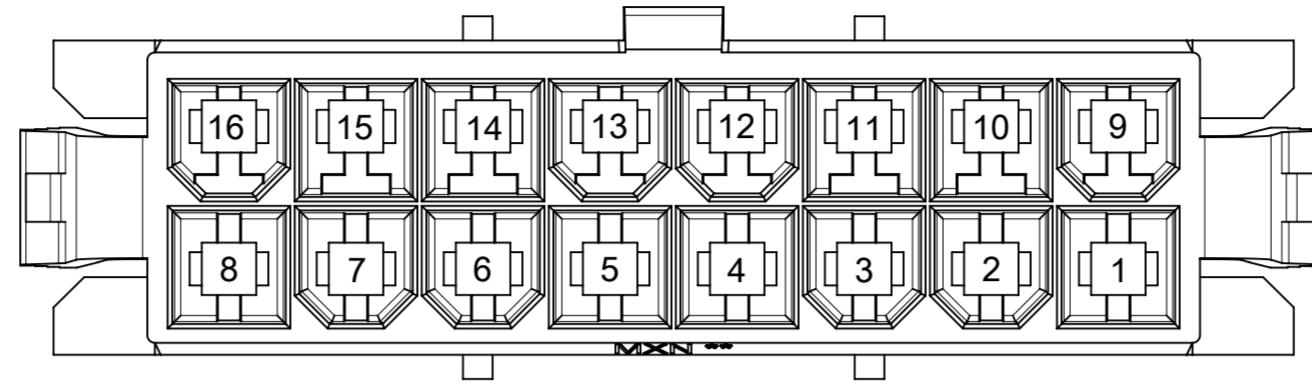
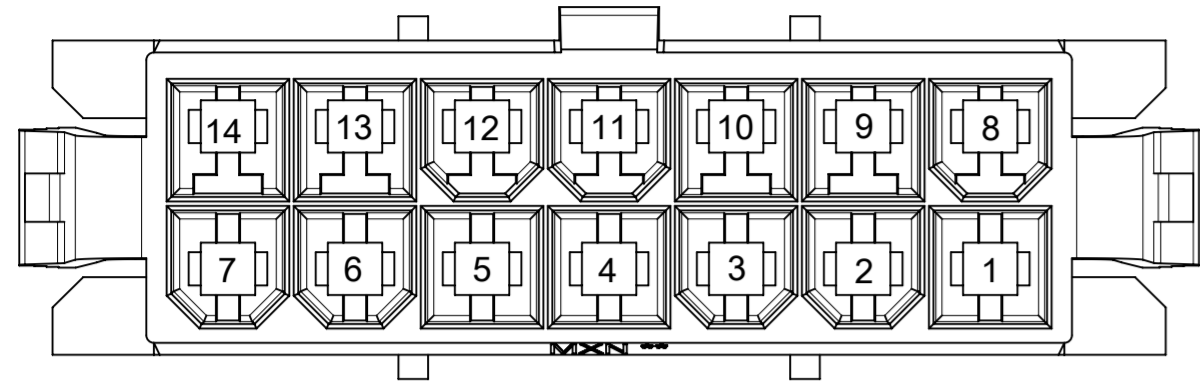
8-CKT



10-CKT

12-CKT

THIS DRAWING CONTAINS INFORMATION THAT IS PROPRIETARY TO MOLEX ELECTRONIC TECHNOLOGIES, LLC AND SHOULD NOT BE USED WITHOUT WRITTEN PERMISSION													
DIMENSION UNITS		SCALE		CURRENT REV DESC:						<b>molex</b>			
mm		NTS											
GENERAL TOLERANCES (UNLESS SPECIFIED)				EC NO: 735375 DRWN: JERRYW8 CHK'D: XQZHANG APPR: XQZHANG INITIAL REVISION: DRWN: ALUO02 APPR: YXZHENG						SD-DRAWING OF MINI-FIT SIGMA DR PLUG			
ANGULAR TOL		± °								2023/01/06		PRODUCT CUSTOMER DRAWING	
4 PLACES		±								2023/02/01		DOCUMENT NUMBER	
3 PLACES		±								2023/02/01		1727670002-SD	
2 PLACES		± 0.25								2019/09/24		DOC TYPE   DOC PART   REVISION	
1 PLACE		± 0.36		2019/10/11		PSD   000   A6							
0 PLACES		±				MATERIAL NUMBER   CUSTOMER							
DRAFT WHERE APPLICABLE MUST REMAIN WITHIN DIMENSIONS		THIRD ANGLE PROJECTION		DRAWING		SERIES		SHEET NUMBER					
				A2-SIZE		172767		3 OF 4					



14-CKT

16-CKT

18-CKT

THIS DRAWING CONTAINS INFORMATION THAT IS PROPRIETARY TO MOLEX ELECTRONIC TECHNOLOGIES, LLC AND SHOULD NOT BE USED WITHOUT WRITTEN PERMISSION

DIMENSION UNITS	SCALE	CURRENT REV DESC:		<b>molex</b>				
mm	NTS							
GENERAL TOLERANCES (UNLESS SPECIFIED)				SD-DRAWING OF MINI-FIT SIGMA DR PLUG				
ANGULAR TOL	± °	EC NO: 735375		PRODUCT CUSTOMER DRAWING				
4 PLACES	±	DRWN: JERRYW8	2023/01/06	DOCUMENT NUMBER				
3 PLACES	±	CHK'D: XQZHANG	2023/02/01					
2 PLACES	± 0.25	APPR: XQZHANG	2023/02/01	1727670002-SD		DOC TYPE	DOC PART	REVISION
1 PLACE	± 0.36	INITIAL REVISION:		2019/09/24		PSD	000	A6
0 PLACES	±	DRWN: ALUO02	2019/10/11	2019/10/11				
DRAFT WHERE APPLICABLE MUST REMAIN WITHIN DIMENSIONS		THIRD ANGLE PROJECTION	DRAWING	SERIES	MATERIAL NUMBER	CUSTOMER	SHEET NUMBER	
			A2-SIZE	172767	SEE TABLE	GENERAL MARKET	4 OF 4	

DOCUMENT STATUS	P1	RELEASE DATE	2023/02/01	07:45:19
-----------------	----	--------------	------------	----------