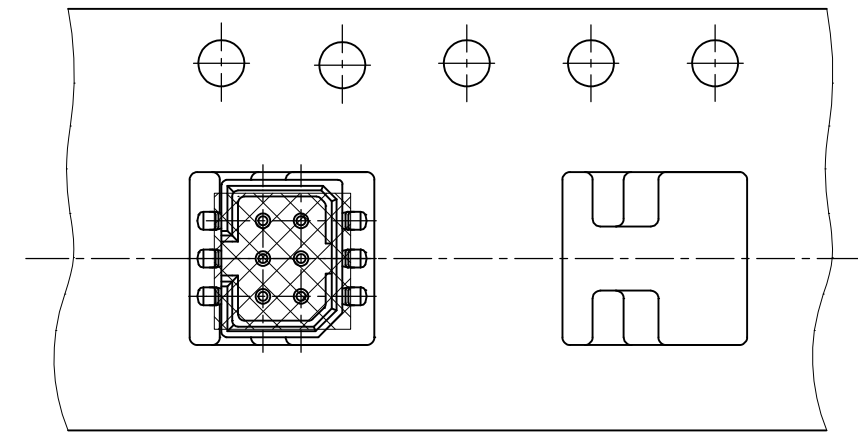
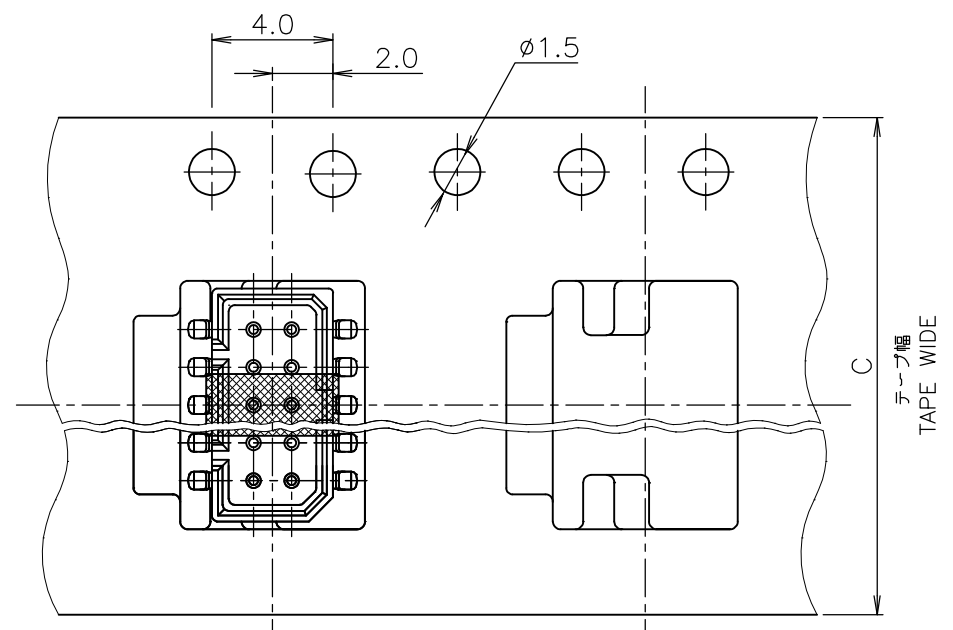
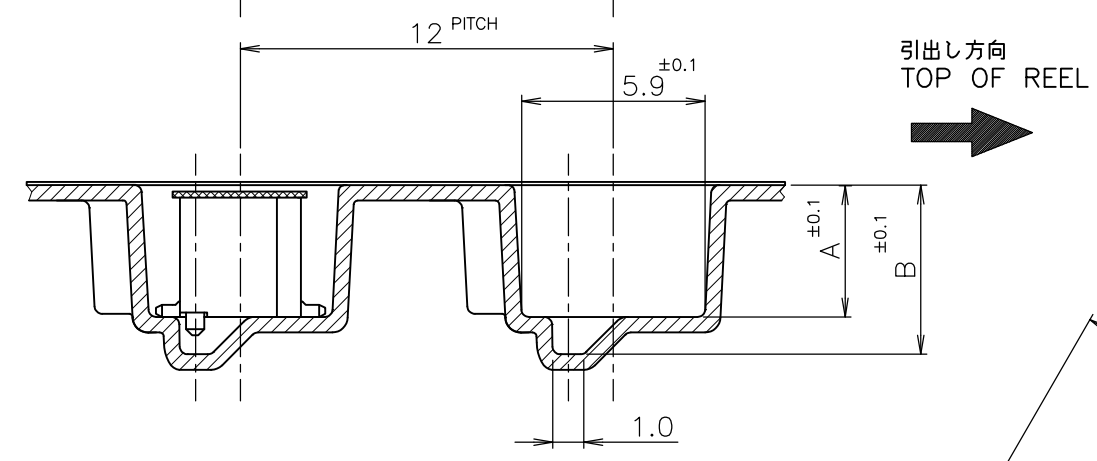


THIS DRAWING IS UNPUBLISHED. RELEASED FOR PUBLICATION
 © COPYRIGHT - By - ALL RIGHTS RESERVED.

LOC	DIST	REVISIONS					
		P	LTR	DESCRIPTION	DATE	DWN	APVD
		C1		ADD P/N 3-*--6	19MAR15	I.T	W.H

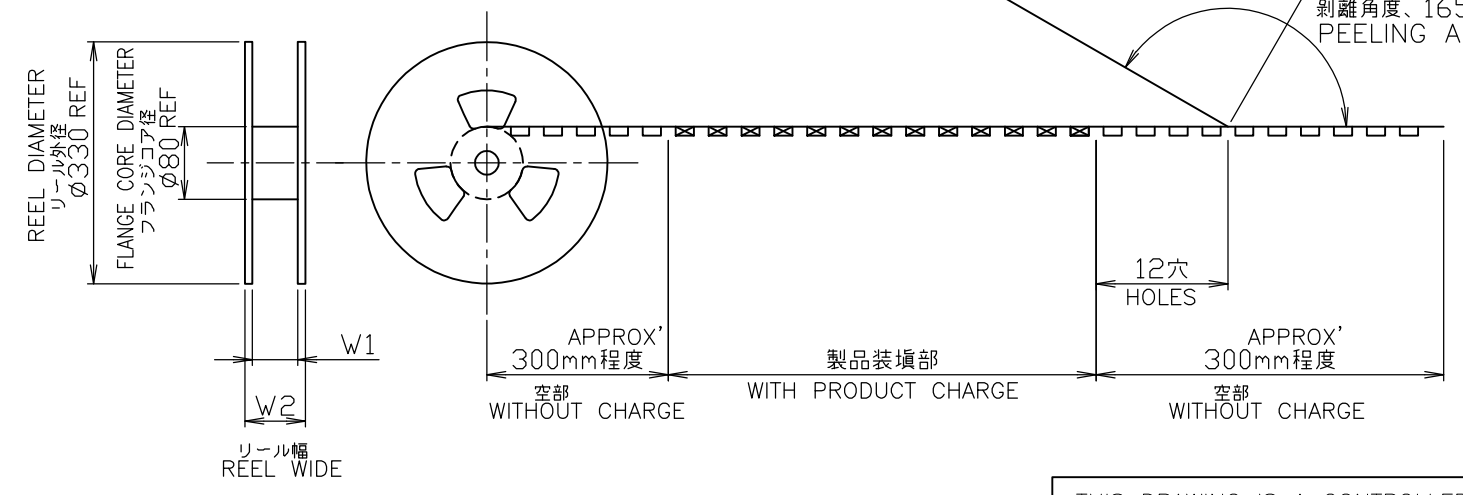


6 Pos.(P/N:3-1981350-6)



WEEDING THE COVER TAPE AROUND THE OUTER PERIPHERY IN A TURN.
 カバーテープ リーダーテープ 外周一巻
 剥離角度、165°~180° PEELING ANGLE.

注記 ;
 1. 包装規格 : 107-5123-5
 NOTES;
 1. PACKING SPEC : 107-5123-5



BOSS 形状 BOSS FORM	'B'	21	18	4.5	4.2	↑	2.50	5.20	16	↑	↑	↑	6	3-	↑	-6
	'B'	21	18	↑	6.70		5.00	7.70	16	↑	↑	↑	10	4-		-0
	↑	↑	↑	↑	↑	3.95	↑	↑	↑	5.45	4.25	1000	↑	5-		-0
	'A'	29	26	5.5	12.95	5.45	11.25	13.95	24	6.95	5.75	750	20	2-1981350-0		
	W ₂	W ₁	M	G	F	E	D	C	B	A	数量 (ヶ) QTY/REEL	板数 Pos.	リール巻 コネクタ型番 TAPING P/N			

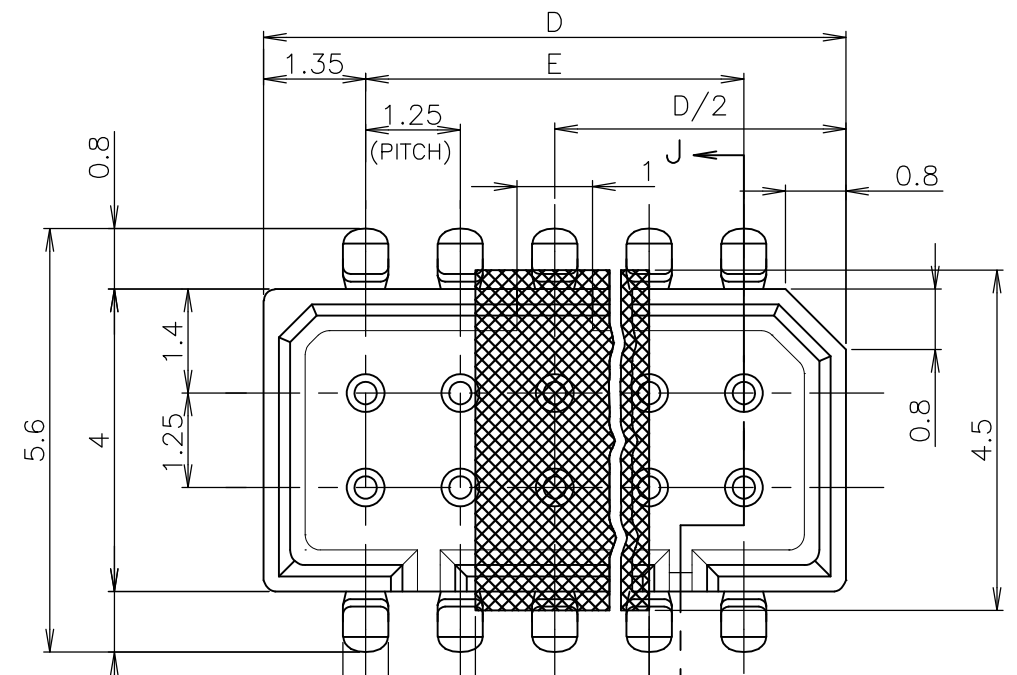
THIS DRAWING IS A CONTROLLED DOCUMENT.

DWN	V.TAN	27NOV07	STE TE Connectivity
CHK	Y.NAKAZAWA	28NOV07	
APVD	Y.NAKAZAWA	28NOV07	NAME 名称
PRODUCT SPEC	108-5426		1.25FP CONNECTOR B-T-B, KAPTON TAPE, ON TAPING EMBOSS, DOUBLE ROW POST HDR ASSY SMT TYPE WITH BOSS
APPLICATION SPEC	取付適用規格		SIZE
WEIGHT			CAGE CODE
MATERIAL 材料	FINISH 仕上		DRAWING NO 番号
			RESTRICTED TO
			SCALE 尺度
			SHEET
			REV

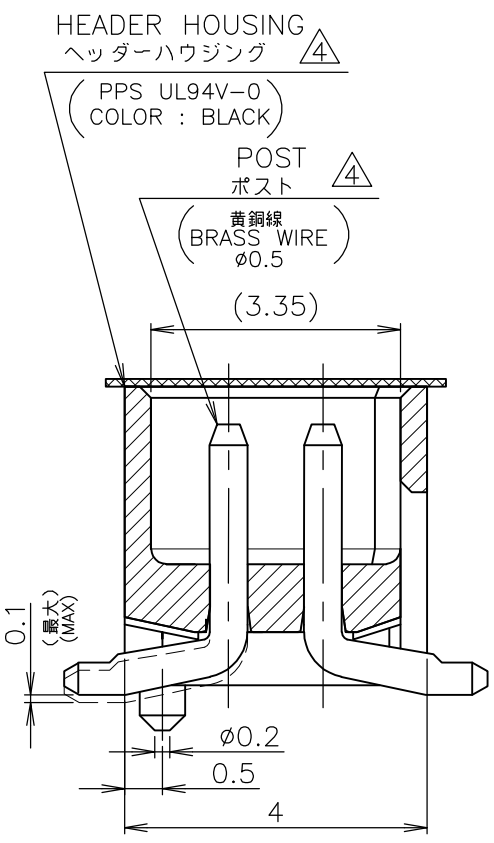
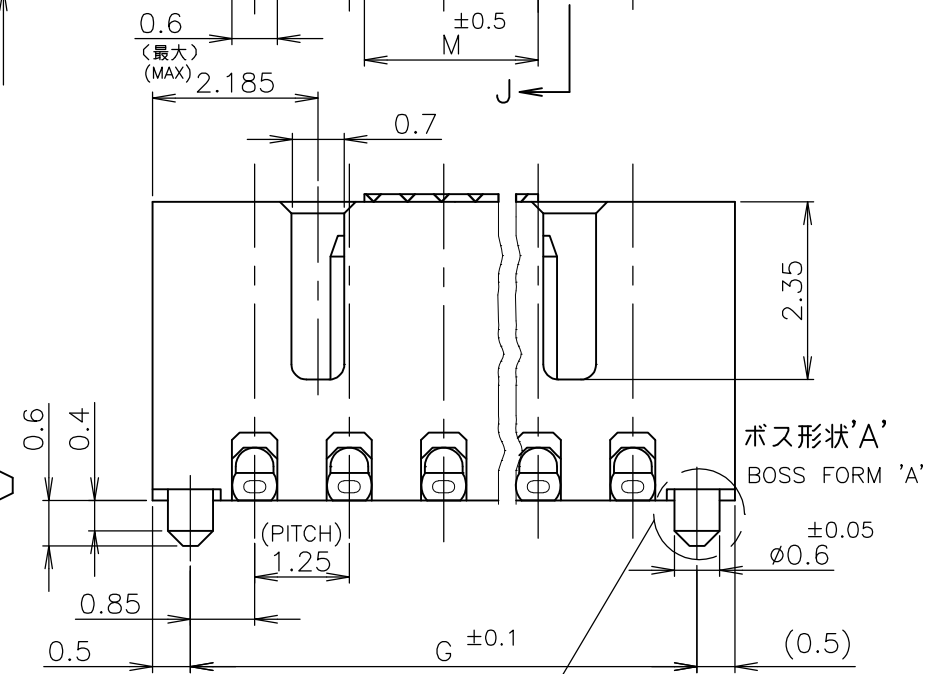
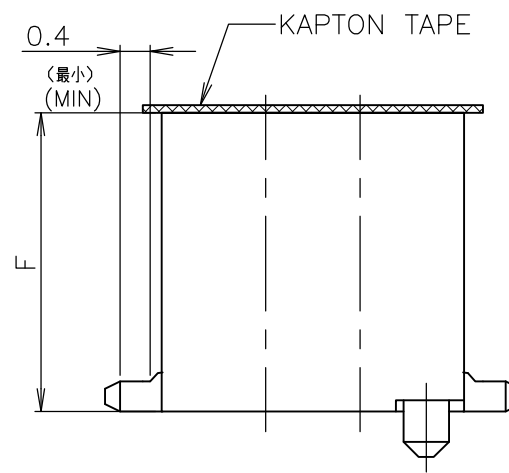
CUSTOMER DRAWING SCALE 尺度 NON SHEET 1 OF 2 REV C1

THIS DRAWING IS UNPUBLISHED. RELEASED FOR PUBLICATION
 © COPYRIGHT - By - ALL RIGHTS RESERVED.

LOC	DIST	REVISIONS					
		P	LTR	DESCRIPTION	DATE	DWN	APVD
-	-	-	-	SEE SHEET 1	-	-	-



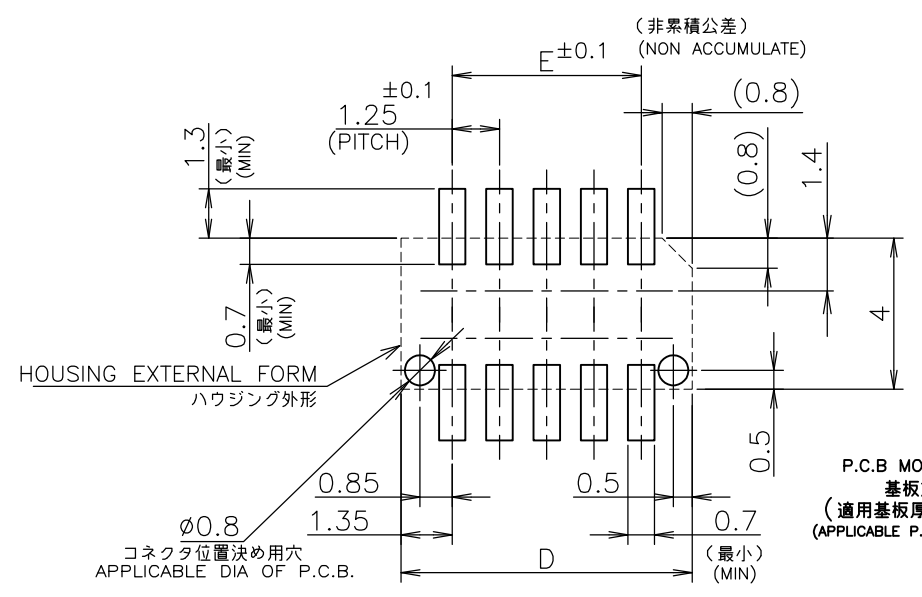
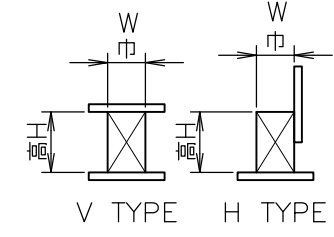
注記
 NOTE 2 嵌合相手製品型番及び、嵌合時寸法は
 MATING COUNTER PART NUMBER AND DIMENSIONS
 表-1 参照のこと。
 AFTER MATING: SEE TABLE 1.
 ③ 仕上げ：ニッケル下地錫めっき(後めっき)
 FINISH ; TIN PL.
 Ni UNDER PL. ALL OVER



嵌合時寸法:巾(mm)x高さ(mm)
 DIMENSIONS AFTER MATING : WIDTH(mm) x HEIGHT(mm)

MATING COUNTER CONN RECE HDR ASSY	SMT TYPE			
	X-174635-X X-176870-X	X-174821-X X-1981350-X	ポスト付 WITH BOSS	
ハウジング 高さ F寸法 HOUSING HEIGHT F DIMENSIONS				
	3.95	5.45	5.95	
DIP TYPE	V TYPE X-174635-X X-176870-X	5.6(巾W)x 5.0(高H)	5.6(巾W)x 6.5(高H)	5.6(巾W)x 7.0(高H)
	H TYPE X-174636-X X-176892-X	5.6(巾W)x 5.8(高H)	5.6(巾W)x 7.3(高H)	5.6(巾W)x 7.8(高H)
SMT TYPE	ボス無 WITHOUT BOSS X-174904-X X-176768-X	5.6(巾W)x 5.0(高H)	5.6(巾W)x 6.5(高H)	5.6(巾W)x 7.0(高H)
	ボス付 WITH BOSS X-174639-X X-176311-X	5.6(巾W)x 6.9(高H)	5.6(巾W)x 8.4(高H)	5.6(巾W)x 8.9(高H)

TABLE 1
 表-1
 SMT TYPEは、巾及び高さ寸法に
 SMT TYPE INCLUDE DIMENSIONS
 半田付タイン部寸法を含みます。
 OF SOLDER DIP TIME.



ボス形状'B'
 BOSS FORM 'B'

THIS DRAWING IS A CONTROLLED DOCUMENT.

DIMENSIONS: 単位: 耗 mm	TOLERANCES UNLESS OTHERWISE SPECIFIED: 一般公差
0 PLC	± 0.3
1 PLC	± 0.3
2 PLC	± 0.3
3 PLC	± 0.3
4 PLC	± 0.3
ANGLES	± 3°
MATERIAL 材料	FINISH 仕上

DWN	CHK	APVD	PRODUCT SPEC 製品規格	APPLICATION SPEC 取付適用規格	WEIGHT	NAME 名称 1.25FP CONNECTOR B-T-B, KAPTON TAPE, ON TAPING EMBOSS, DOUBLE ROW POST HDR ASSY SMT TYPE WITH BOSS		SIZE	CAGE CODE	DRAWING NO 番号	RESTRICTED TO
-	-	-	-	-	-	A300779 C-1981350		A3	00779	1981350	-
CUSTOMER DRAWING						SCALE 尺度 10:1	SHEET 2 OF 2	REV C1			