

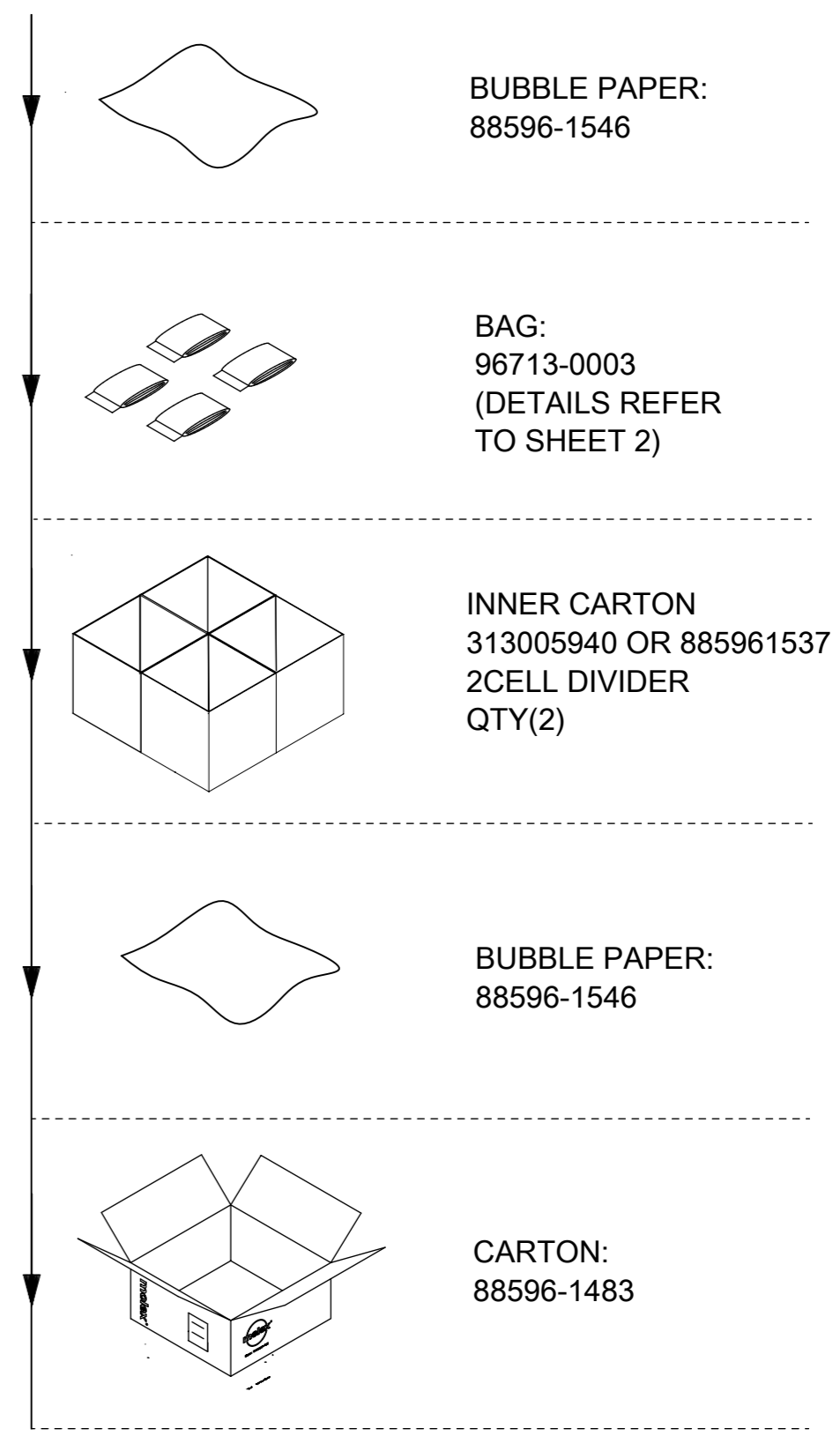




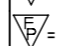

PART NUMBER	CKTS	QUANTITY PER BAG	BAGS PER CARTON	PARTS PER CARTON (SPQ)	MOISTURIZATION METHOD 	PANEL LOCK
215922-0201	2	3000	4	12000	NO MOISTURIZATION	WITHOUT
215922-0401	4	2600	4	10400		
215922-0601	6	2000	4	8000		
215922-0801	8	1700	4	6800		
215922-1001	10	1400	4	5600		
215922-1201	12	1000	4	4000		
215922-1401	14	800	4	3200		
215922-1601	16	800	4	3200		
215922-1801	18	600	4	2400		
215922-2001	20	600	4	2400		
215922-2201	22	600	4	2400		
215922-2401	24	450	4	1800		
215922-0200	2	2000	4	8000	SEE SHEET 2	WITH
215922-0400	4	1800	4	7200		
215922-0600	6	1600	4	6400		
215922-0800	8	1100	4	4400		
215922-1000	10	1000	4	4000		
215922-1200	12	900	4	3600		
215922-1400	14	800	4	3200		
215922-1600	16	700	4	2800		
215922-1800	18	600	4	2400		
215922-2000	20	600	4	2400		
215922-2200	22	400	4	1600		
215922-2400	24	350	4	1400		

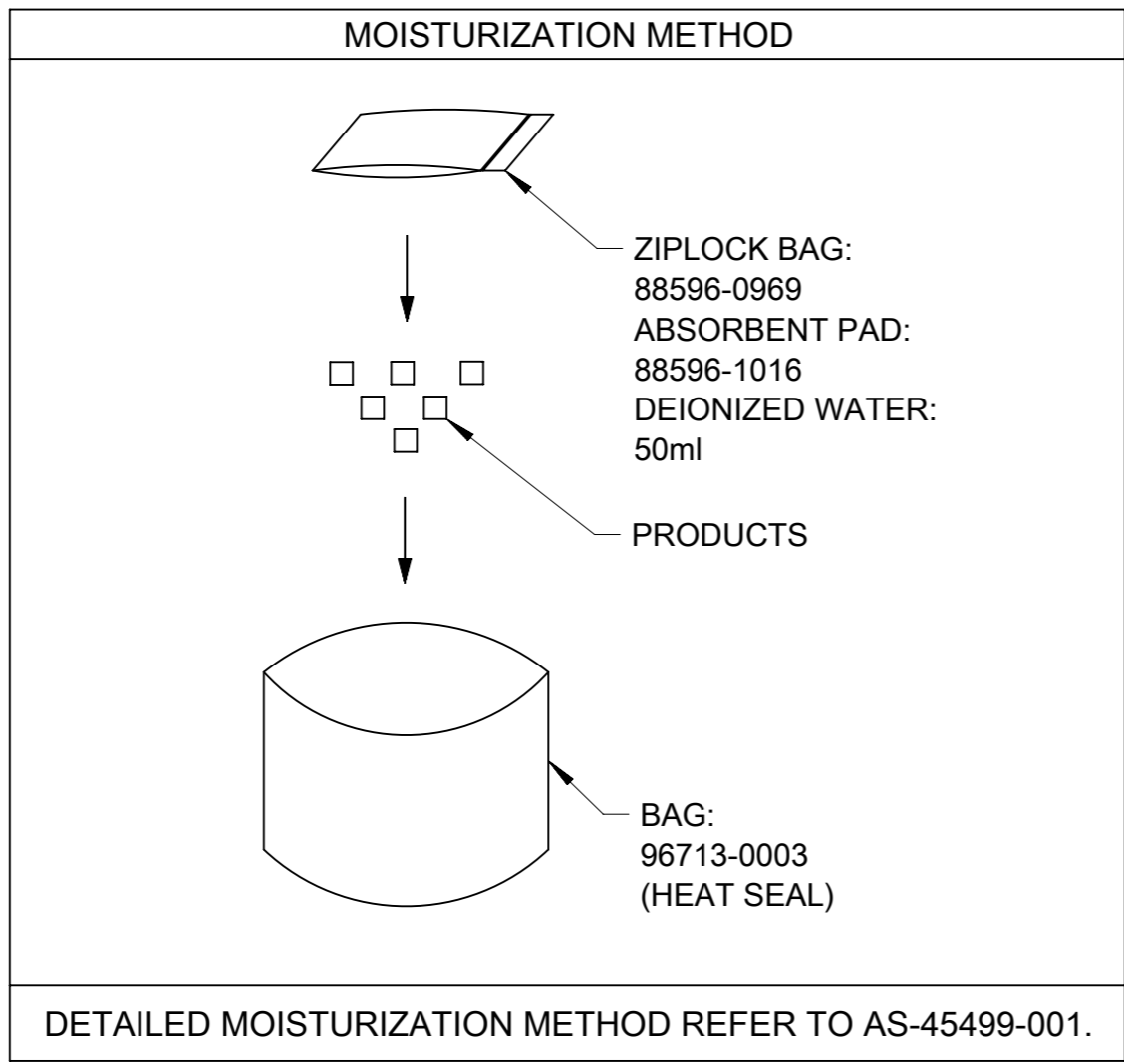
TBD: NO PRODUCTION, TO BE ADDED AFTER BEING PRODUCED.

NOTES:

-  MOISTURIZATION METHOD DESCRIPTIONS REFER TO SHEET 2.
- STANDARD PACKAGE QUANTITY (SPQ) SEE ABOVE CHART.
- PACKAGE WAY FOLLOW RIGHT ILLUSTRATION.
- ALL PACKAGE MATERIAL AND PRODUCT COMPLIANT TO RoHS DIRECTIVE 2011/65/EU AND ELV DIRECTIVE 2000/53/EC.

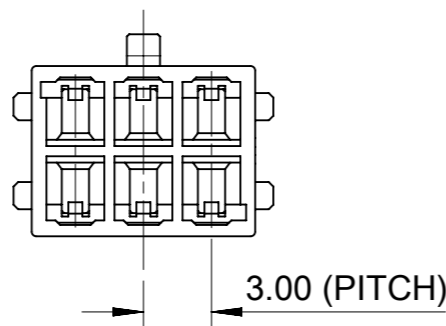
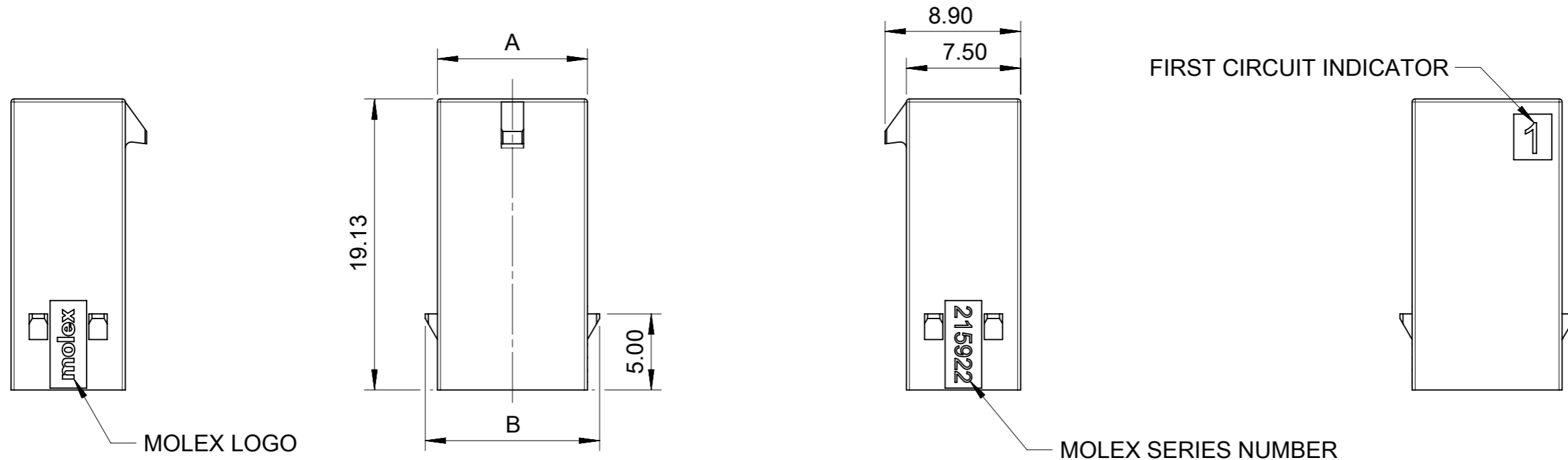


FUNCTIONAL SYMBOLS	THIS DRAWING CONTAINS INFORMATION THAT IS PROPRIETARY TO MOLEX ELECTRONIC TECHNOLOGIES, LLC AND SHOULD NOT BE USED WITHOUT WRITTEN PERMISSION		CURRENT REV DESC:			molex					
	DIMENSION UNITS	SCALE							PACKING SPEC FOR MICRO-FIT PLUS WTW HSG		
 = 0	mm	1:1	EC NO: 725570 DRWN: GLLI 2022/08/29 CHK'D: XQZHANG 2022/10/31 APPR: XQZHANG 2022/10/31			PRODUCT CUSTOMER DRAWING					
 = 0	GENERAL TOLERANCES (UNLESS SPECIFIED)					DOCUMENT NUMBER			DOC TYPE	DOC PART	REVISION
 = 0	ANGULAR TOL ± °					2159220000-PK			PSD	000	B
DIVISIONAL SYMBOLS	4 PLACES ±					INITIAL REVISION:			MATERIAL NUMBER		
	3 PLACES ± 0.1		DRWN: GLLI 2021/10/28			CUSTOMER					
	2 PLACES ± 0.3		APPR: XQZHANG 2021/11/15			SHEET NUMBER					
	1 PLACE ± 0.5		DRAFT WHERE APPLICABLE MUST REMAIN WITHIN DIMENSIONS			1 OF 2					
	0 PLACES ±		THIRD ANGLE PROJECTION	DRAWING	SERIES						
				A3-SIZE	215922						



FUNCTIONAL SYMBOLS	THIS DRAWING CONTAINS INFORMATION THAT IS PROPRIETARY TO MOLEX ELECTRONIC TECHNOLOGIES, LLC AND SHOULD NOT BE USED WITHOUT WRITTEN PERMISSION		molex		
	$\nabla_A = 0$ $\nabla_F = 0$ $\nabla_P = 0$	DIMENSION UNITS mm			
DIVISIONAL SYMBOLS	GENERAL TOLERANCES (UNLESS SPECIFIED)		CURRENT REV DESC:		
	ANGULAR TOL ± °		EC NO: 725570		
	4 PLACES ±		DRWN: GLLI 2022/08/29		
	3 PLACES ± 0.1		CHK'D: XQZHANG 2022/10/31		
	2 PLACES ± 0.3		APPR: XQZHANG 2022/10/31		
1 PLACE ± 0.5		INITIAL REVISION:			
0 PLACES ±		DRWN: GLLI 2021/10/28			
DRAFT WHERE APPLICABLE MUST REMAIN WITHIN DIMENSIONS		THIRD ANGLE PROJECTION		DRAWING	
				SERIES	
				MATERIAL NUMBER	
				CUSTOMER	
				SHEET NUMBER	
				2 OF 2	

FREE HANGING PLUG PARTS

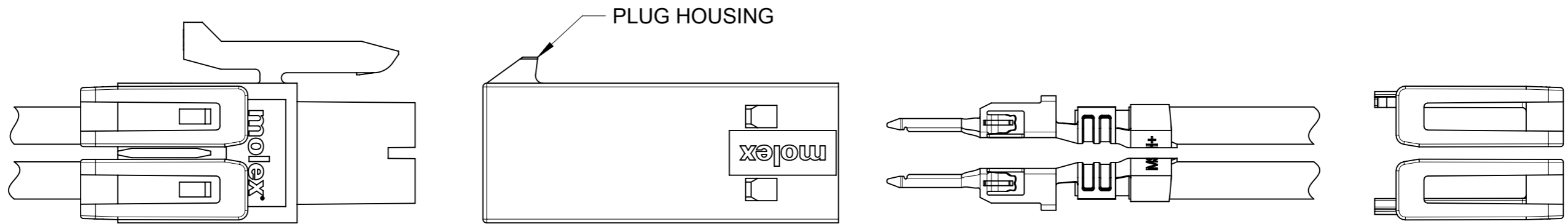
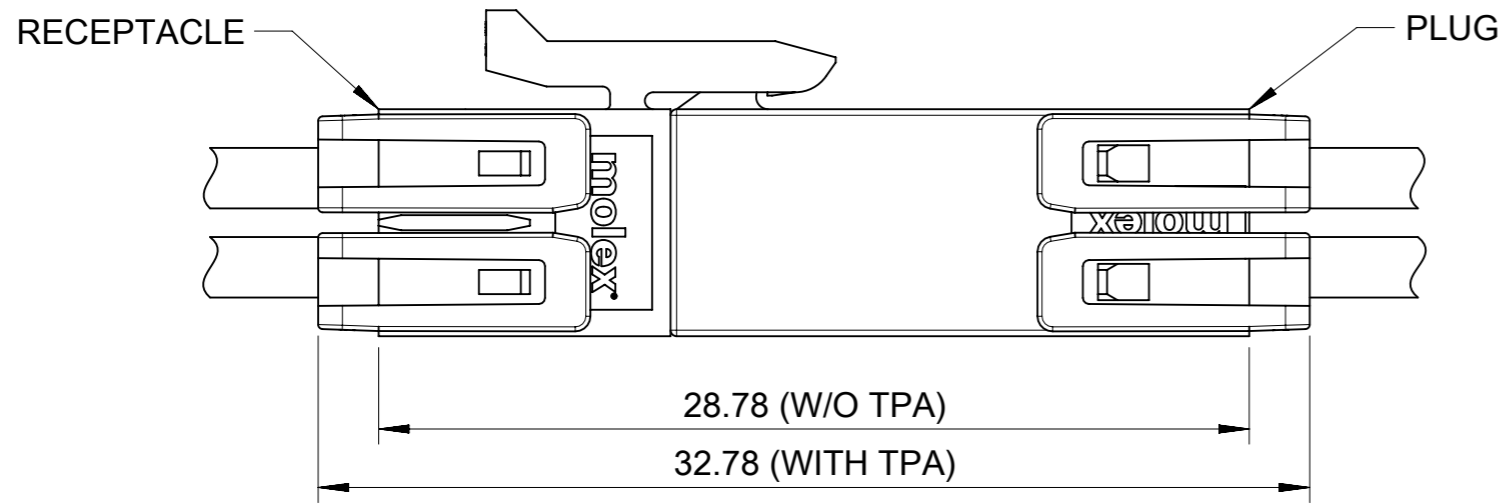


PART No	DIM'A'	DIM'B'	CKT SIZE
215922-0201	3.85	5.45	2
215922-0401	6.85	8.45	4
215922-0601	9.85	11.45	6
215922-0801	12.85	14.45	8
215922-1001	15.85	17.45	10
215922-1201	18.85	20.45	12
215922-1401	21.85	23.45	14
215922-1601	24.85	26.45	16
215922-1801	27.85	29.45	18
215922-2001	30.85	32.45	20
215922-2201	33.85	35.45	22
215922-2401	36.85	38.45	24

- NOTES:
1. MATERIAL: PA66, 94V-0, BLACK.
 2. PRODUCT SPECIFICATION: 2159530000-PS.
 3. PACKAGE SPECIFICATION: 2159220000-PK.
 4. TO USE WITH TERMINAL OF 2015953-****.
 5. TO USE WITH TPA OF 206462-****.
 6. TO MATE WITH RECEPTACLE OF 206461-****.
 7. PARTS CONFORM TO CLASS 'B' REQUIREMENTS OF COSMETIC SPECIFICATION PS-45499-002.

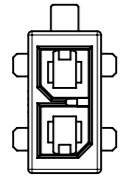
FUNCTIONAL SYMBOLS	THIS DRAWING CONTAINS INFORMATION THAT IS PROPRIETARY TO MOLEX ELECTRONIC TECHNOLOGIES, LLC AND SHOULD NOT BE USED WITHOUT WRITTEN PERMISSION		CURRENT REV DESC:									
	DIMENSION UNITS	SCALE							PLUG HOUSING OF MICRO-FIT PLUS WTW DR POWER CONNECTOR			
DIVISIONAL SYMBOLS	$\nabla_A = 0$	mm	1:1	EC NO: 712744 DRWN: GLLI 2022/07/01 CHK'D: XQZHANG 2022/07/05 APPR: XQZHANG 2022/07/05		PRODUCT CUSTOMER DRAWING						
	GENERAL TOLERANCES (UNLESS SPECIFIED)					DOCUMENT NUMBER		DOC TYPE	DOC PART	REVISION		
	ANGULAR TOL \pm °					INITIAL REVISION:		2159220000-SD		PSD	000	A1
	4 PLACES \pm					DRWN: GLLI 2021/01/29		GENERAL MARKET		SHEET NUMBER		
3 PLACES \pm			APPR: XQZHANG 2021/11/15		SERIES		215922		1 OF 6			
2 PLACES ± 0.2			DRAFT WHERE APPLICABLE MUST REMAIN WITHIN DIMENSIONS		THIRD ANGLE PROJECTION		DRAWING		A3-SIZE			
1 PLACE ± 0.3												
0 PLACES \pm												

FREE HANGING PLUG PARTS

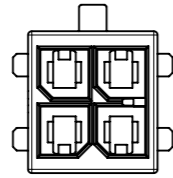


FUNCTIONAL SYMBOLS	THIS DRAWING CONTAINS INFORMATION THAT IS PROPRIETARY TO MOLEX ELECTRONIC TECHNOLOGIES, LLC AND SHOULD NOT BE USED WITHOUT WRITTEN PERMISSION		
	△/A = 0	mm	SCALE 1:1
DIVISIONAL SYMBOLS	GENERAL TOLERANCES (UNLESS SPECIFIED)		
	△/E = 0	ANGULAR TOL ± °	
DIVISIONAL SYMBOLS	△/F = 0	CURRENT REV DESC:	
	4 PLACES ±	EC NO: 712744	
	3 PLACES ±	DRWN: GLLI 2022/07/01	
	2 PLACES ± 0.2	CHK'D: XQZHANG 2022/07/05	
	1 PLACE ± 0.3	APPR: XQZHANG 2022/07/05	
0 PLACES ±	INITIAL REVISION:		
DRAFT WHERE APPLICABLE MUST REMAIN WITHIN DIMENSIONS		DRWN: GLLI 2021/01/29	2021/11/15
THIRD ANGLE PROJECTION		DRAWING	SERIES
		A3-SIZE	215922
DOCUMENT NUMBER		CUSTOMER	REVISION
2159220000-SD		GENERAL MARKET	A1
DOC TYPE		DOC PART	SHEET NUMBER
PSD		000	2 OF 6

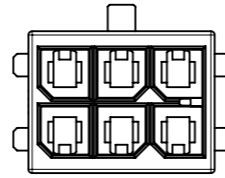
FREE HANGING PLUG PARTS



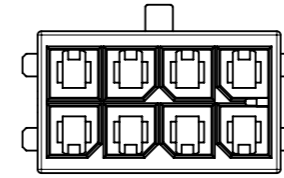
2 CKT



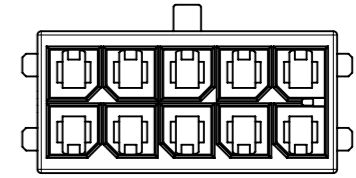
4 CKT



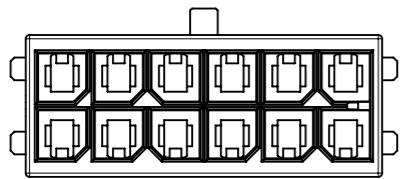
6 CKT



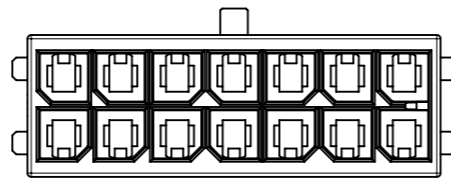
8 CKT



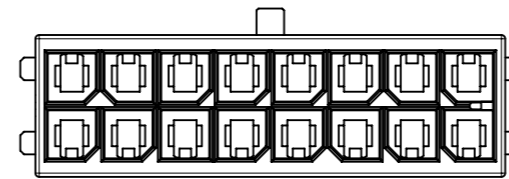
10 CKT



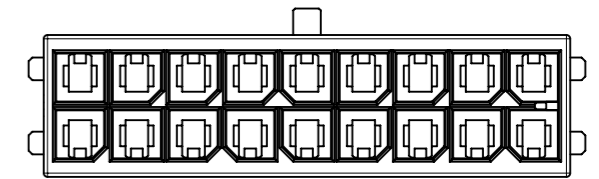
12 CKT



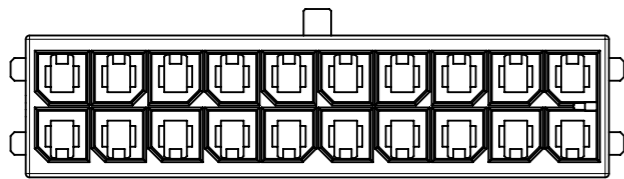
14 CKT



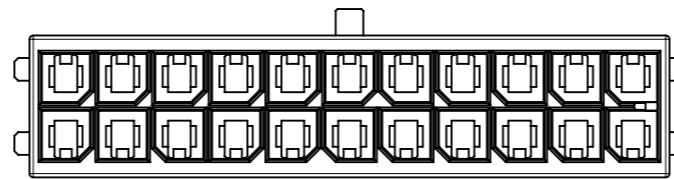
16 CKT



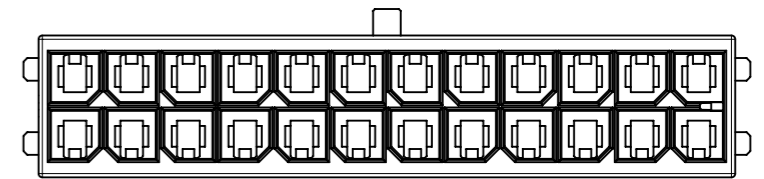
18 CKT



20 CKT



22 CKT

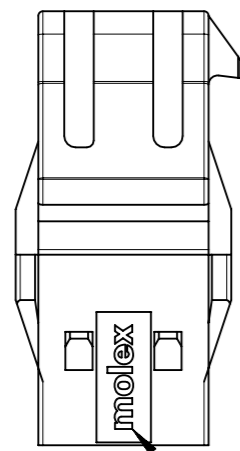


24 CKT

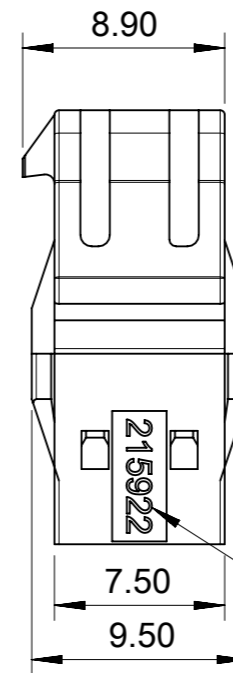
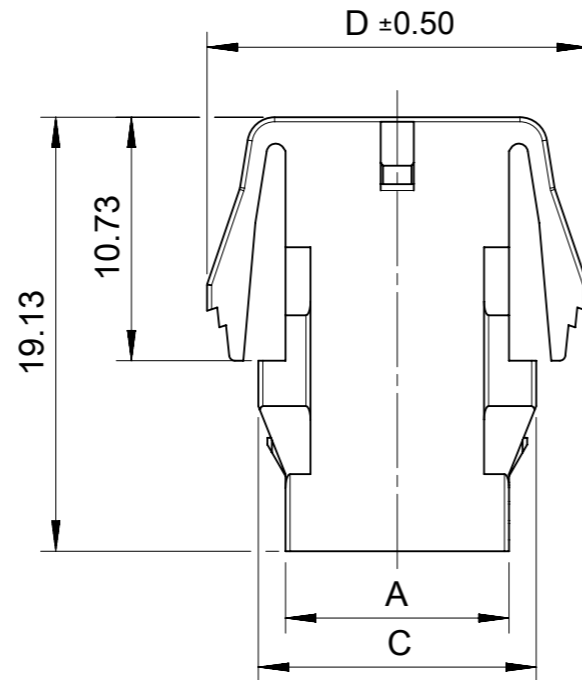
FUNCTIONAL SYMBOLS	THIS DRAWING CONTAINS INFORMATION THAT IS PROPRIETARY TO MOLEX ELECTRONIC TECHNOLOGIES, LLC AND SHOULD NOT BE USED WITHOUT WRITTEN PERMISSION		CURRENT REV DESC:		molex				
	4 PLACES	±							°
GENERAL TOLERANCES (UNLESS SPECIFIED)	mm		1:1	DRWN: GLLI	2022/07/05	PRODUCT CUSTOMER DRAWING			
ANGULAR TOL	±	°		CHK'D: XQZHANG	2022/07/05	DOCUMENT NUMBER			
3 PLACES	±			APPR: XQZHANG	2022/07/05	2159220000-SD	PSD	000	A1
2 PLACES	±	0.2		INITIAL REVISION:		MATERIAL NUMBER		CUSTOMER	SHEET NUMBER
1 PLACE	±	0.3		DRWN: GLLI	2021/01/29	215922		GENERAL MARKET	3 OF 6
0 PLACES	±			APPR: XQZHANG	2021/11/15				
DRAFT WHERE APPLICABLE MUST REMAIN WITHIN DIMENSIONS	THIRD ANGLE PROJECTION		DRAWING	SERIES	MATERIAL NUMBER		CUSTOMER		SHEET NUMBER
			A3-SIZE	215922	215922		GENERAL MARKET		3 OF 6

DOCUMENT STATUS	P1	RELEASE DATE	2022/07/05	13:33:12
-----------------	----	--------------	------------	----------

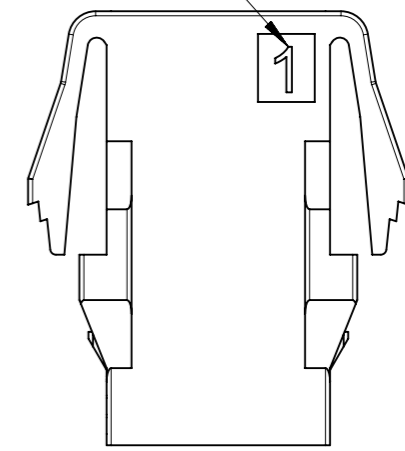
PANEL MOUNT PLUG PARTS



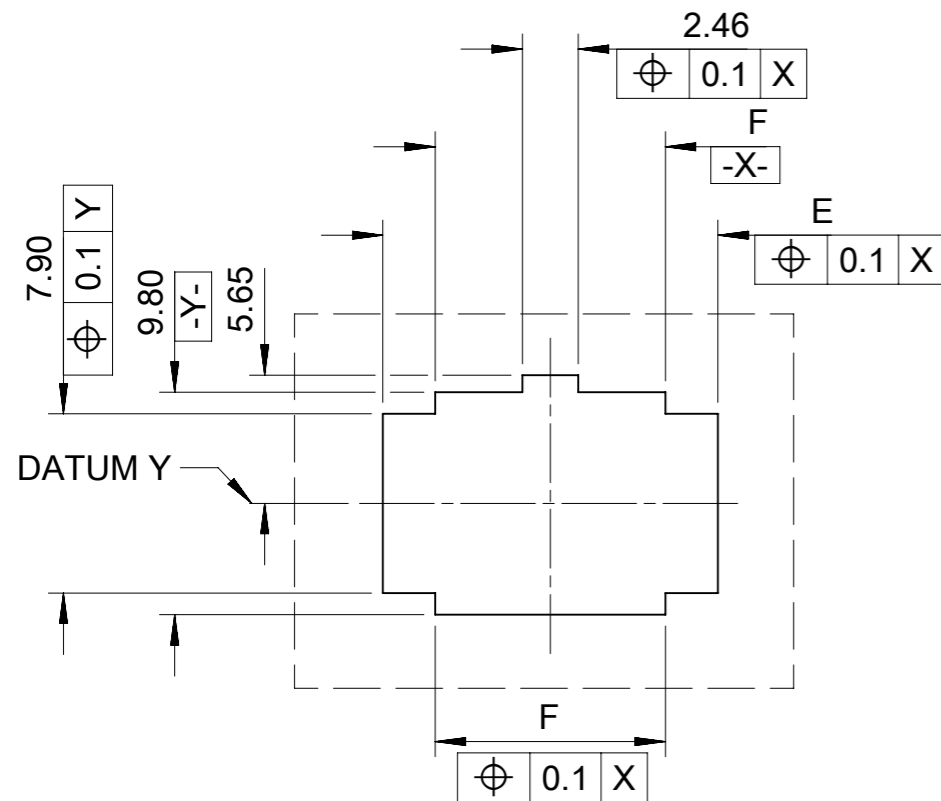
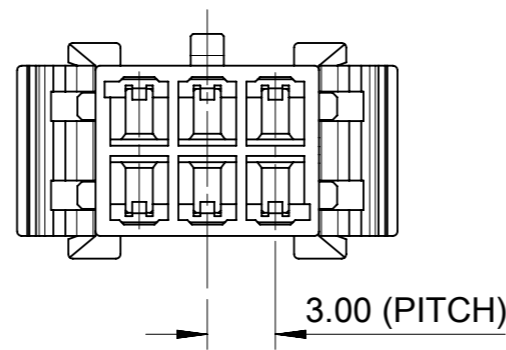
MOLEX LOGO



FIRST CIRCUIT INDICATOR



MOLEX SERIES NUMBER

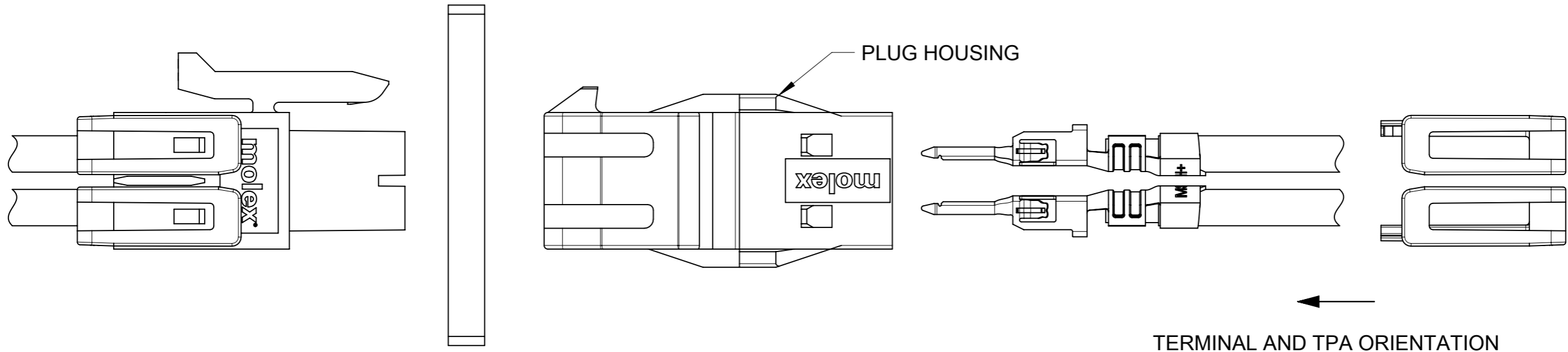
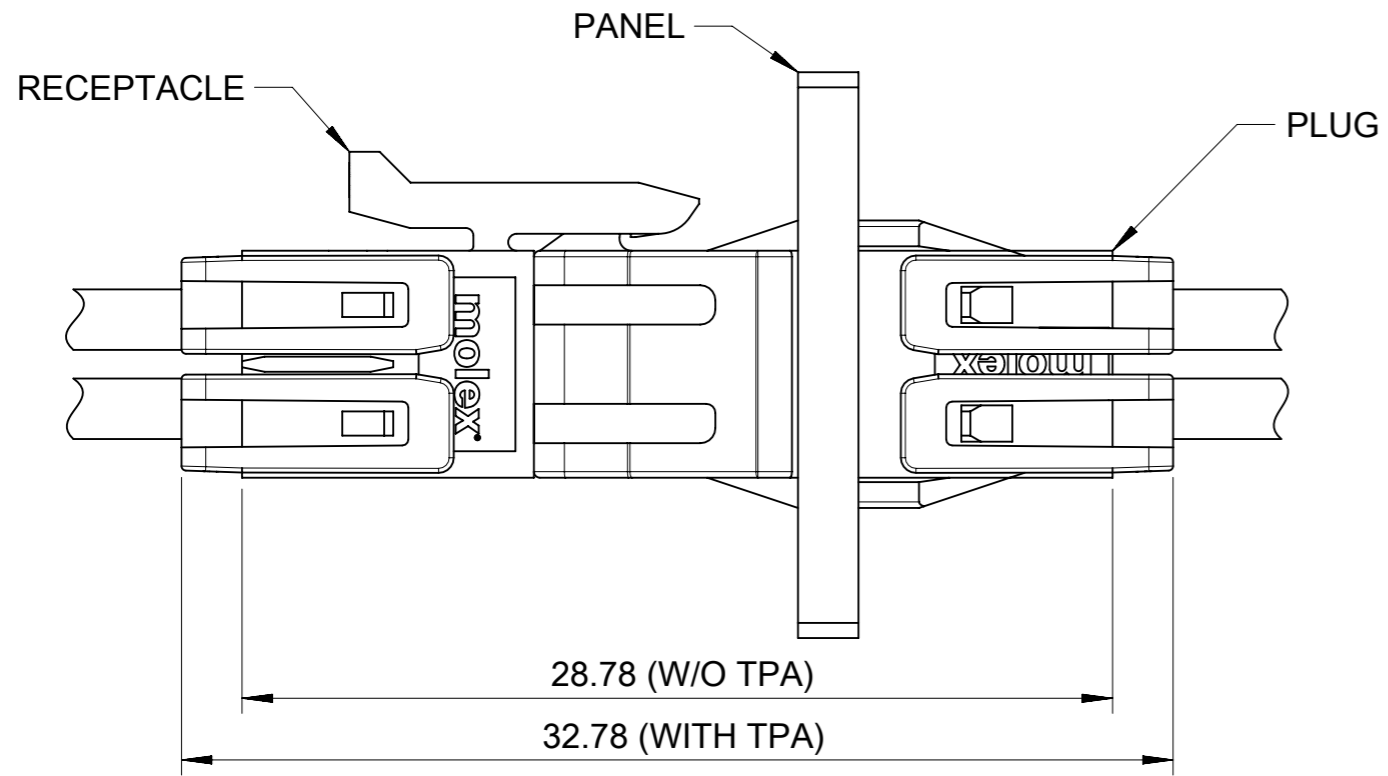


PART No	DIM 'A'	DIM 'C'	DIM 'D'	DIM 'E'	DIM 'F'	CKT SIZE
215922-0200	3.85	6.25	10.77	8.77	4.15	2
215922-0400	6.85	9.25	13.77	11.77	7.15	4
215922-0600	9.85	12.25	16.77	14.77	10.15	6
215922-0800	12.85	15.25	19.77	17.77	13.15	8
215922-1000	15.85	18.25	22.77	20.77	16.15	10
215922-1200	18.85	21.25	25.77	23.77	19.15	12
215922-1400	21.85	24.25	28.77	26.77	22.15	14
215922-1600	24.85	27.25	31.77	29.77	25.15	16
215922-1800	27.85	30.25	34.77	32.77	28.15	18
215922-2000	30.85	33.25	37.77	35.77	31.15	20
215922-2200	33.85	36.25	40.77	38.77	34.15	22
215922-2400	36.85	39.25	43.77	41.77	37.15	24

RECOMMENDED PANEL CUT OUT
(TOLERRANCE +/-0.05 THICKNESS=1.2~2.2MM)

FUNCTIONAL SYMBOLS	THIS DRAWING CONTAINS INFORMATION THAT IS PROPRIETARY TO MOLEX ELECTRONIC TECHNOLOGIES, LLC AND SHOULD NOT BE USED WITHOUT WRITTEN PERMISSION	CURRENT REV DESC:																											
	<table border="1"> <tr> <th>FUNCTIONAL SYMBOLS</th> <th>DIMENSION UNITS</th> <th>SCALE</th> </tr> <tr> <td>$\nabla_A = 0$</td> <td>mm</td> <td>1:1</td> </tr> <tr> <td>$\nabla_E = 0$</td> <td colspan="2">GENERAL TOLERANCES (UNLESS SPECIFIED)</td> </tr> <tr> <td>$\nabla_{E'} = 0$</td> <td colspan="2">ANGULAR TOL ± °</td> </tr> <tr> <td rowspan="5">DIVISIONAL SYMBOLS</td> <td>4 PLACES</td> <td>±</td> </tr> <tr> <td>3 PLACES</td> <td>±</td> </tr> <tr> <td>2 PLACES</td> <td>± 0.2</td> </tr> <tr> <td>1 PLACE</td> <td>± 0.3</td> </tr> <tr> <td>0 PLACES</td> <td>±</td> </tr> </table>	FUNCTIONAL SYMBOLS	DIMENSION UNITS					SCALE	$\nabla_A = 0$	mm	1:1	$\nabla_E = 0$	GENERAL TOLERANCES (UNLESS SPECIFIED)		$\nabla_{E'} = 0$	ANGULAR TOL ± °		DIVISIONAL SYMBOLS	4 PLACES	±	3 PLACES	±	2 PLACES	± 0.2	1 PLACE	± 0.3	0 PLACES	±	EC NO: 712744 DRWN: GLLI 2022/07/01 CHK'D: XQZHANG 2022/07/05 APPR: XQZHANG 2022/07/05
FUNCTIONAL SYMBOLS	DIMENSION UNITS	SCALE																											
$\nabla_A = 0$	mm	1:1																											
$\nabla_E = 0$	GENERAL TOLERANCES (UNLESS SPECIFIED)																												
$\nabla_{E'} = 0$	ANGULAR TOL ± °																												
DIVISIONAL SYMBOLS	4 PLACES	±																											
	3 PLACES	±																											
	2 PLACES	± 0.2																											
	1 PLACE	± 0.3																											
	0 PLACES	±																											
PRODUCT CUSTOMER DRAWING				DOCUMENT NUMBER																									
INITIAL REVISION:				2021/01/29		2021/11/15																							
DRWN: GLLI				2021/01/29		2021/11/15																							
APPR: XQZHANG				2021/01/29		2021/11/15																							
DRAFT WHERE APPLICABLE MUST REMAIN WITHIN DIMENSIONS				THIRD ANGLE PROJECTION	DRAWING	SERIES	MATERIAL NUMBER	CUSTOMER	SHEET NUMBER																				
					A3-SIZE	215922	2159220000-SD	GENERAL MARKET	4 OF 6																				

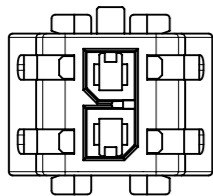
PANEL MOUNT PLUG PARTS



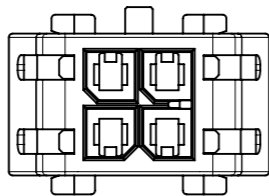
←
TERMINAL AND TPA ORIENTATION

FUNCTIONAL SYMBOLS	THIS DRAWING CONTAINS INFORMATION THAT IS PROPRIETARY TO MOLEX ELECTRONIC TECHNOLOGIES, LLC AND SHOULD NOT BE USED WITHOUT WRITTEN PERMISSION		<div style="text-align: center; font-size: 24pt; font-weight: bold;">molex</div> <p>PLUG HOUSING OF MICRO-FIT PLUS WTW DR POWER CONNECTOR</p>			
	$\nabla_A = 0$ $\nabla_F = 0$ $\nabla_P = 0$	DIMENSION UNITS: mm SCALE: 1:1				
DIVISIONAL SYMBOLS	GENERAL TOLERANCES (UNLESS SPECIFIED)		2022/07/01		2022/07/05	
	ANGULAR TOL ± °		2022/07/05		2022/07/05	
	4 PLACES ±		2021/01/29		2021/11/15	
	3 PLACES ±		2021/01/29		2021/11/15	
2 PLACES ± 0.2		2021/01/29		2021/11/15		
1 PLACE ± 0.3		2021/01/29		2021/11/15		
0 PLACES ±		2021/01/29		2021/11/15		
DRAFT WHERE APPLICABLE MUST REMAIN WITHIN DIMENSIONS		THIRD ANGLE PROJECTION	DRAWING	SERIES	MATERIAL NUMBER	CUSTOMER
			A3-SIZE	215922	2159220000-SD	GENERAL MARKET
			DOCUMENT NUMBER	DOC TYPE	DOC PART	REVISION
			2159220000-SD	PSD	000	A1
			SHEET NUMBER		5 OF 6	

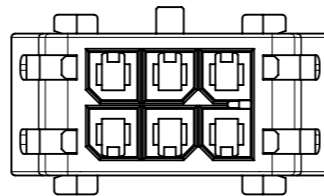
PANEL MOUNT PLUG PARTS



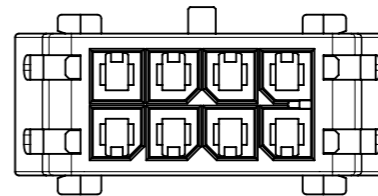
2 CKT



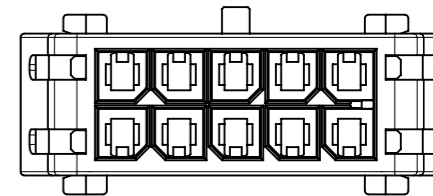
4 CKT



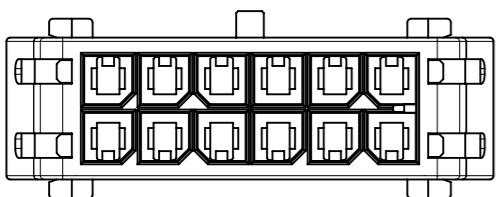
6 CKT



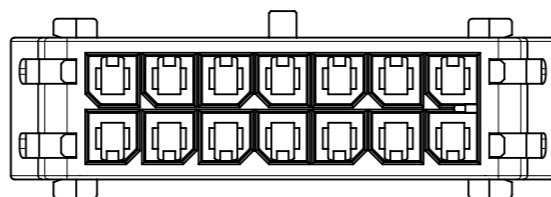
8 CKT



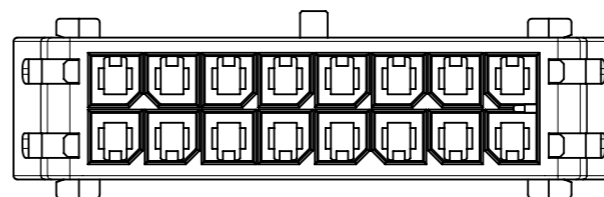
10 CKT



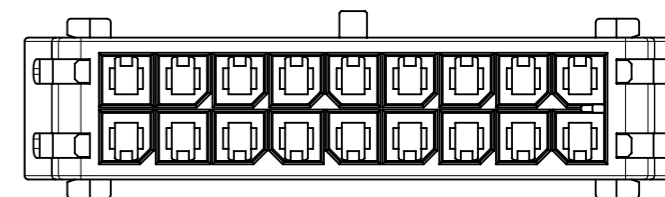
12 CKT



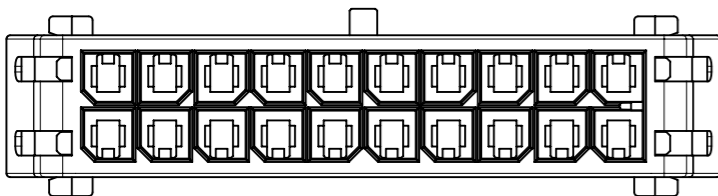
14 CKT



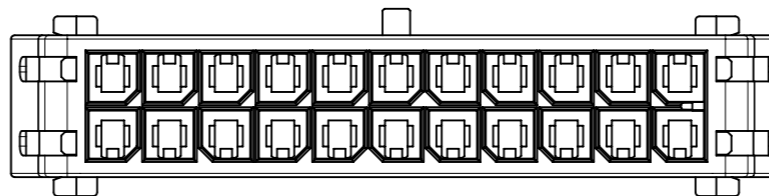
16 CKT



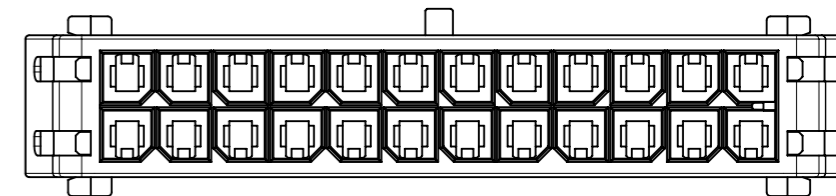
18 CKT



20 CKT



22 CKT



24 CKT

FUNCTIONAL SYMBOLS	THIS DRAWING CONTAINS INFORMATION THAT IS PROPRIETARY TO MOLEX ELECTRONIC TECHNOLOGIES, LLC AND SHOULD NOT BE USED WITHOUT WRITTEN PERMISSION		CURRENT REV DESC:		molex						
	mm	1:1									
DIVISIONAL SYMBOLS	GENERAL TOLERANCES (UNLESS SPECIFIED)		EC NO: 712744 DRWN: GLLI CHK'D: XQZHANG APPR: XQZHANG INITIAL REVISION: DRWN: GLLI APPR: XQZHANG		PLUG HOUSING OF MICRO-FIT PLUS WTW DR POWER CONNECTOR						
	ANGULAR TOL ± °				PRODUCT CUSTOMER DRAWING						
	4 PLACES ±				2022/07/01		DOCUMENT NUMBER		DOC TYPE	DOC PART	REVISION
	3 PLACES ±				2022/07/05		2159220000-SD		PSD	000	A1
	2 PLACES ±	0.2			2022/07/05		2021/01/29		SHEET NUMBER		
1 PLACE ±	0.3			2021/11/15		MATERIAL NUMBER		CUSTOMER			
0 PLACES ±						GENERAL MARKET		6 OF 6			
DRAFT WHERE APPLICABLE MUST REMAIN WITHIN DIMENSIONS		THIRD ANGLE PROJECTION		DRAWING	SERIES	CUSTOMER					
				A3-SIZE	215922						