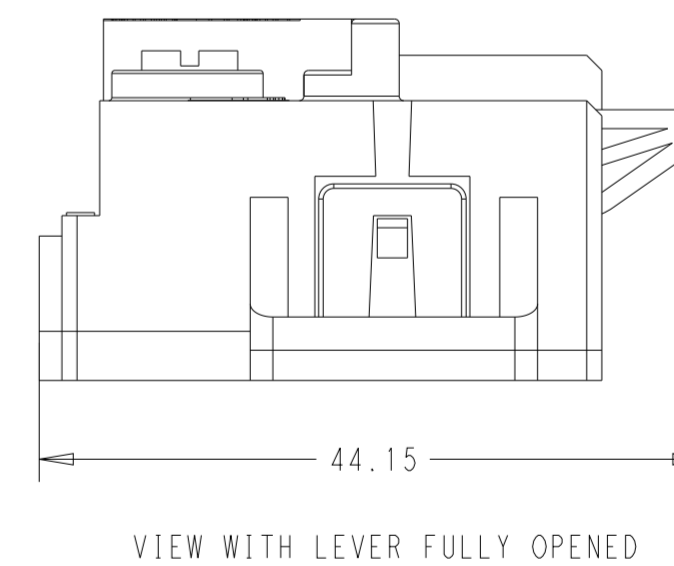
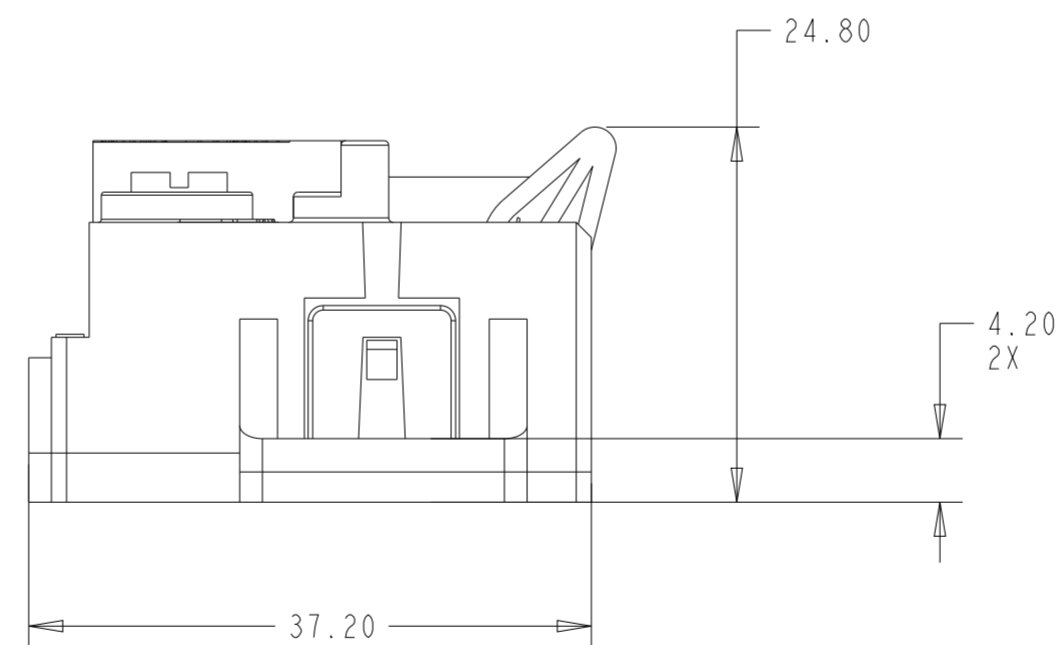
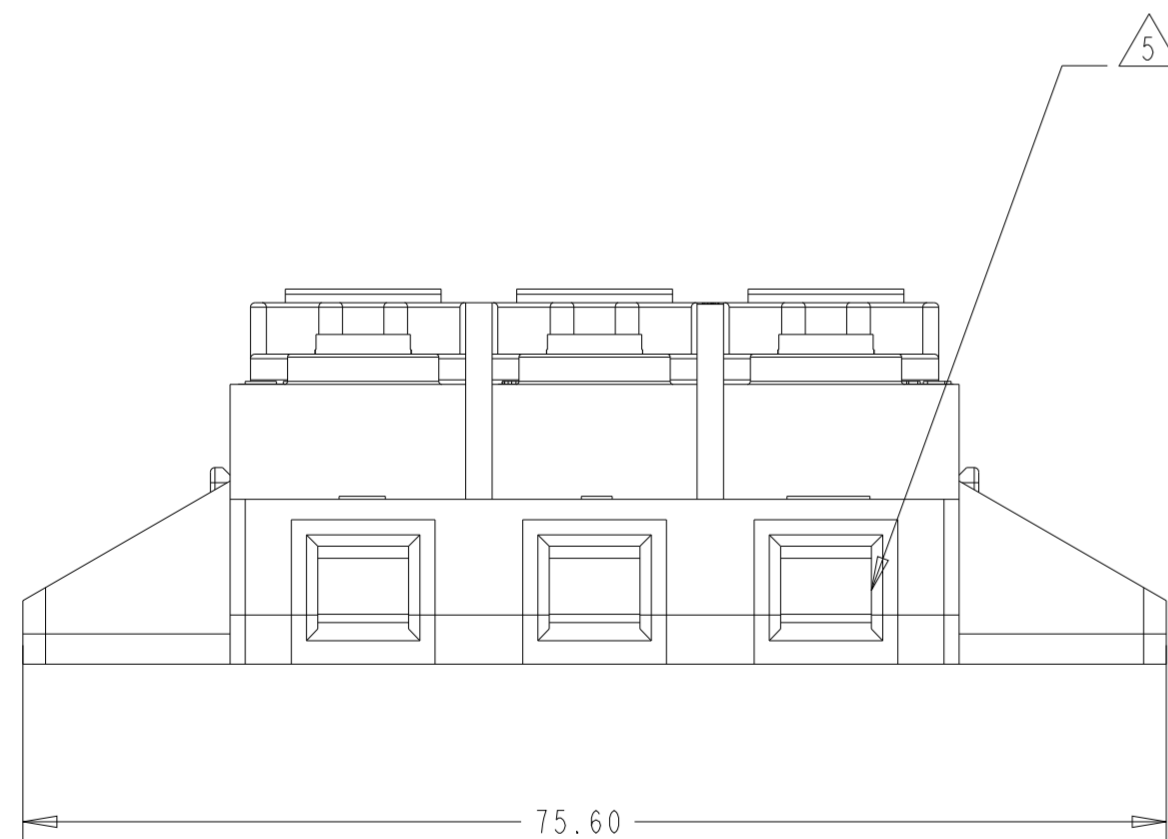
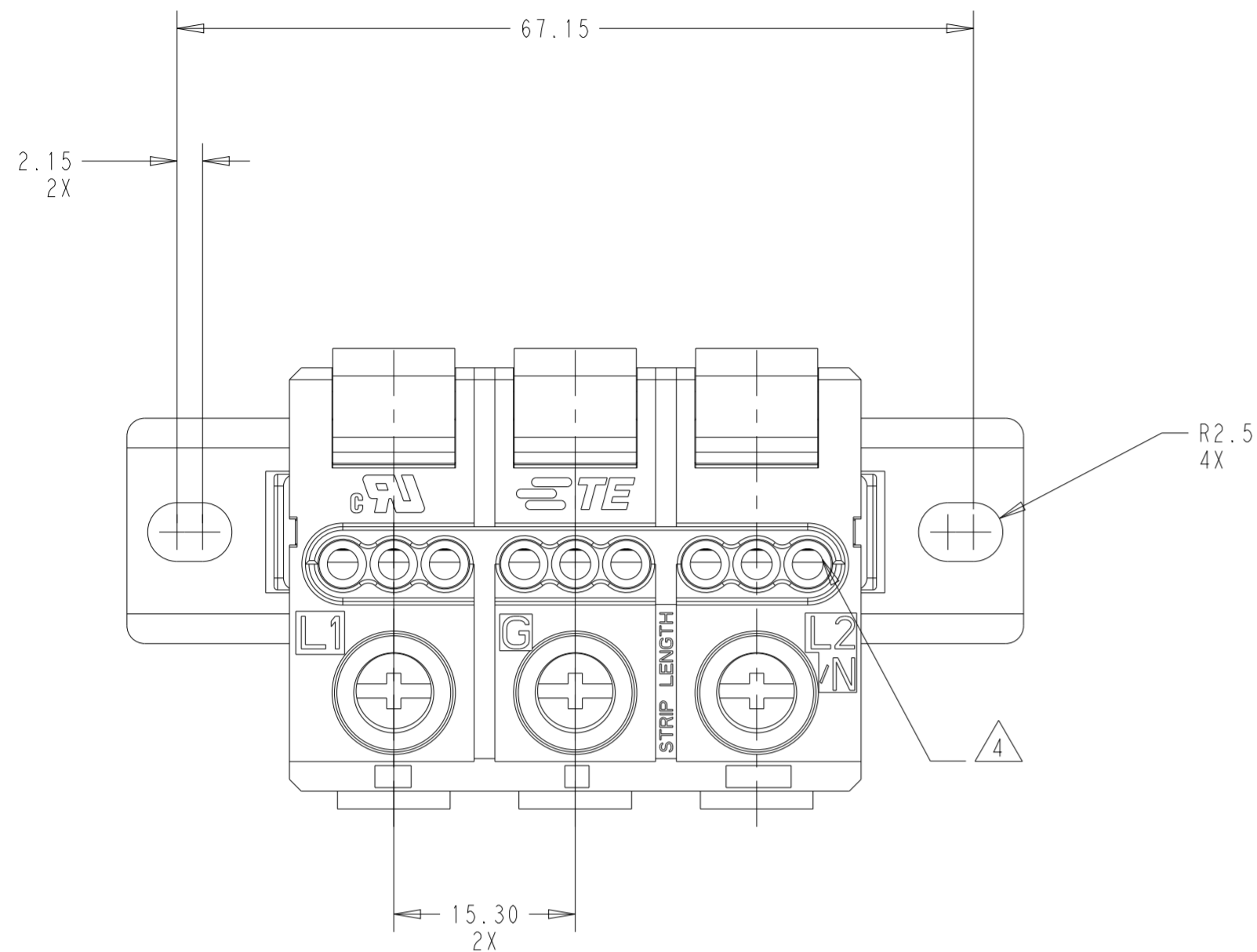
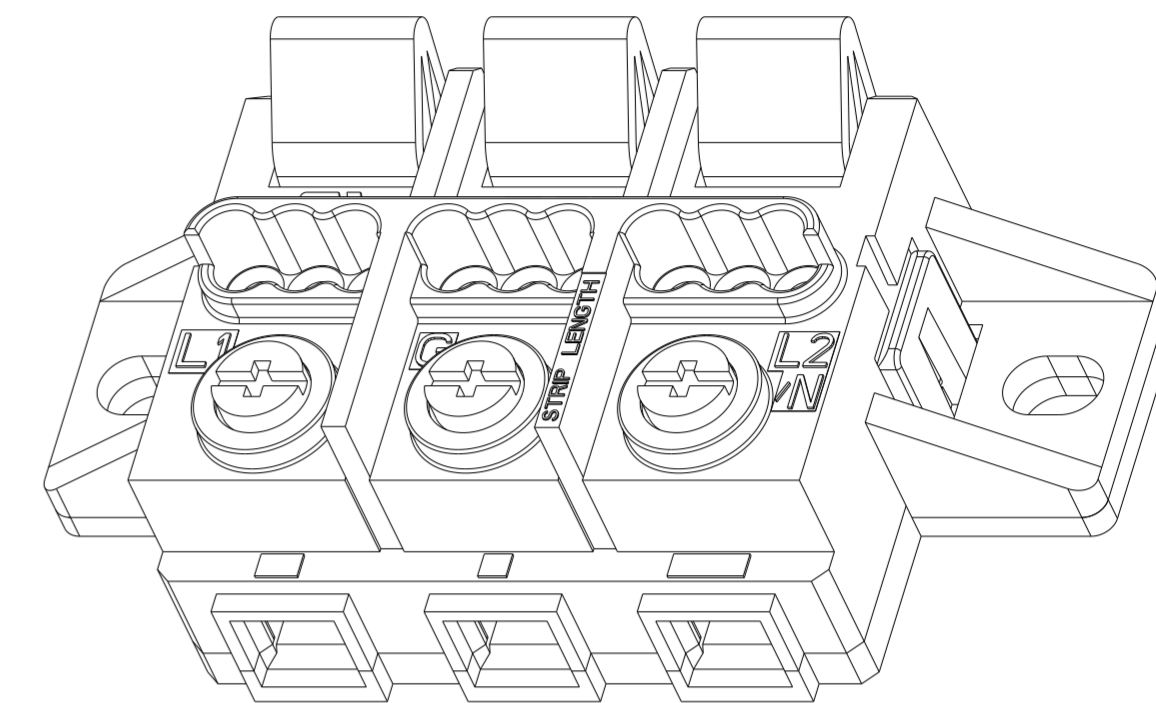


P	LTR	DESCRIPTION	DATE	DWN	APVD
A		INITIAL RELEASE	12MAY2022	SD	MM

NOTES:

- 1 MATERIALS AND FINISH:
 - HOUSING, LEVER, COVER: PBT
 - SPRING CONTACT: STAINLESS STEEL
 - CONTACTS: COPPER ALLOY, TIN PLATED
 - SCREW: STEEL, ZINC PLATED
- 2. MUST COMPLY WITH DIRECTIVE 2002/95/EC (ROHS)
- 3. THIS PRODUCT HAS NOT COMPLETED VALIDATION TESTING
- 4 SOLID AND STRANDED WIRE ONLY: 12-18AWG
 MAX INSULATION OD: $\varnothing 4.2$
 STRIP LENGTH: 13.00 ± 0.50
- 5 SOLID AND STRANDED WIRE ONLY: 6-14AWG
 MAX INSULATION OD: $\varnothing 6.0$
 STRIP LENGTH: 13.00 ± 0.50
- 6 COMBINATION SLOTTED PHILIPS SCREW. TORQUE 0.8-1.2 N-m.



2382635-1
PART NO.

THIS DRAWING IS A CONTROLLED DOCUMENT.		DWN J. LATORRE 04FEB2021	TE Connectivity	
		CHK M. MOSTOLLER 04FEB2021		
DIMENSIONS: mm		APVD -	NAME LUMAWISE TB POWER INPUT TERMINAL BLOCK	
TOLERANCES UNLESS OTHERWISE SPECIFIED: 0 PLC ± 1 PLC ±0.2 2 PLC ±0.13 3 PLC ± 4 PLC ± ANGLES ± FINISH ±		PRODUCT SPEC 108-160129	RESTRICTED TO -	
MATERIAL		APPLICATION SPEC 114-160073	SIZE A2	CAGE CODE 00779
		WEIGHT -	DRAWING NO C-2382635	
		CUSTOMER DRAWING	SCALE 2:1	SHEET 1 OF 1
			REV A	