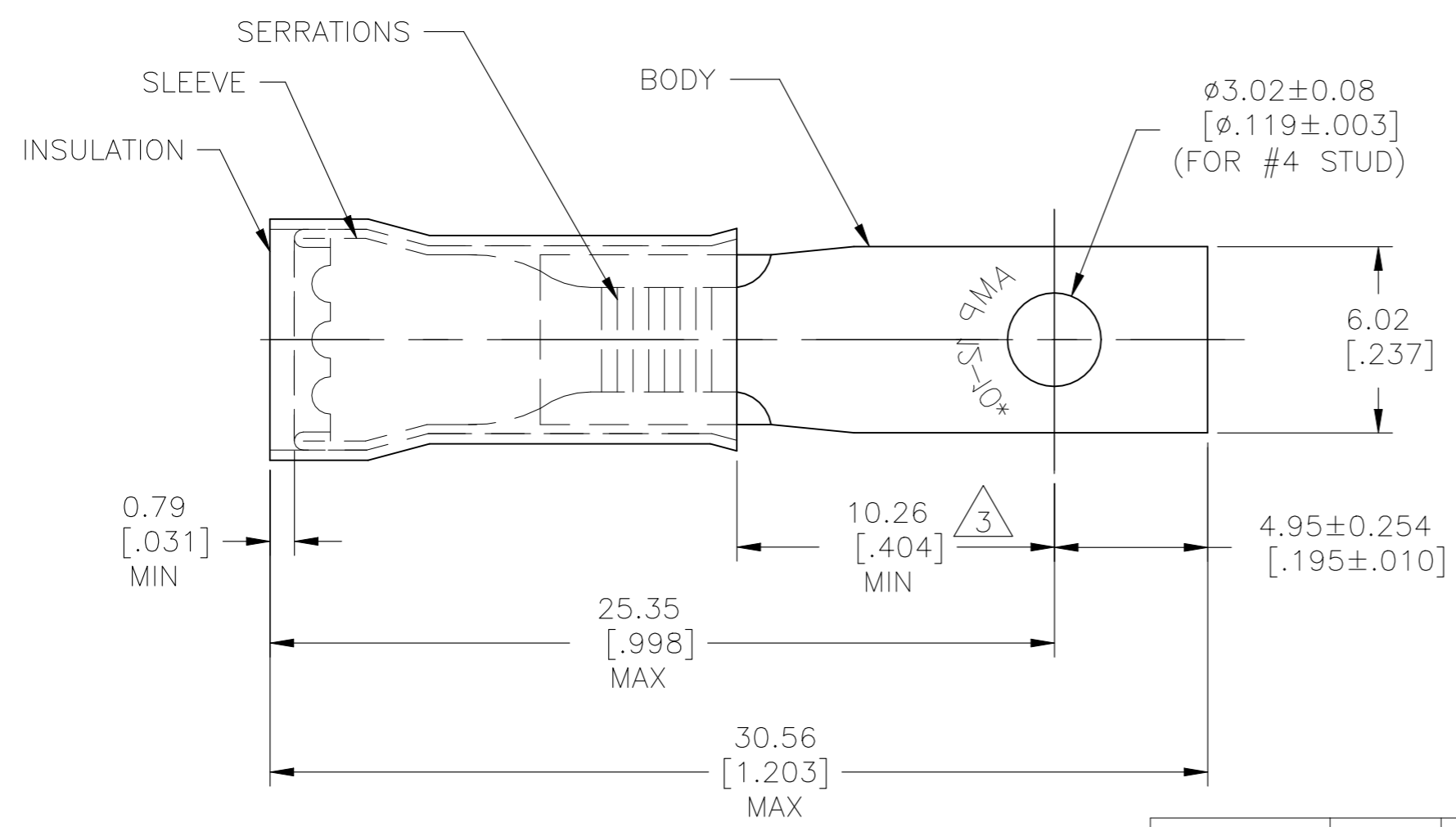


© - TE Connectivity. All Rights Reserved.

REVISIONS				
P	LTR	DESCRIPTION	DATE	APVD
	K3	REVISED PER ECN-22-156403	03JUN2022	RK CSD



- 1 TONGUE MATERIAL THK: 1.02±0.05[.040±.002]
- 2 FOR 3.81[.150] TO 5.84[.230] WIRE INSULATION DIA
- △3 APPLIES FROM THE METAL EDGE OF THE BARREL TO THE CENTER OF THE STUD
- △4 MEETS MS17143-18, CLASS 1

OBSOLETE	1	2-327966-1 ON TAPE	BODY & SLEEVE: COPPER (ASTM-B152) TIN PL (ASTM-B545)	2-327966-3
OBSOLETE	1	WIRE TERMINAL	INSULATION: NYLON (ASTM-D4066) TYPE 1, COLOR: YELLOW	2-327966-1
OBSOLETE	1	327966 ON TAPE	BODY: COPPER (ASTM-B152) TIN PL (ASTM-B545) SLEEVE: COPPER (ASTM-B152) INSULATION: NYLON COLOR: YELLOW	2-327966-2
	1	WIRE TERMINAL		△4 327966
	QTY	DESCRIPTION	MATERIAL & FINISH	PART NO

THIS DRAWING IS A CONTROLLED DOCUMENT.		DWN RAGHAVENDRA 02SEP09	STE TE Connectivity	
		CHK JEFF RUTH 02SEP09		
DIMENSIONS: mm [INCHES]		APVD TOM MICHIELUTTI 02SEP09	NAME	
TOLERANCES UNLESS OTHERWISE SPECIFIED:		PRODUCT SPEC	TERMINAL PIDG - RECTANGULAR TONGUE WIRE SIZE: 12-10	
0 PLC ± -		APPLICATION SPEC	SIZE	RESTRICTED TO
1 PLC ± -			CAGE CODE	DRAWING NO
2 PLC ± -			WEIGHT	SCALE
3 PLC ± 0.20 [.008]				SHEET
4 PLC ± -				REV
ANGLES ± 5°				
MATERIAL SEE TABLE	FINISH SEE TABLE	A3 00779 C-327966		1 OF 1
		CUSTOMER DRAWING		K3