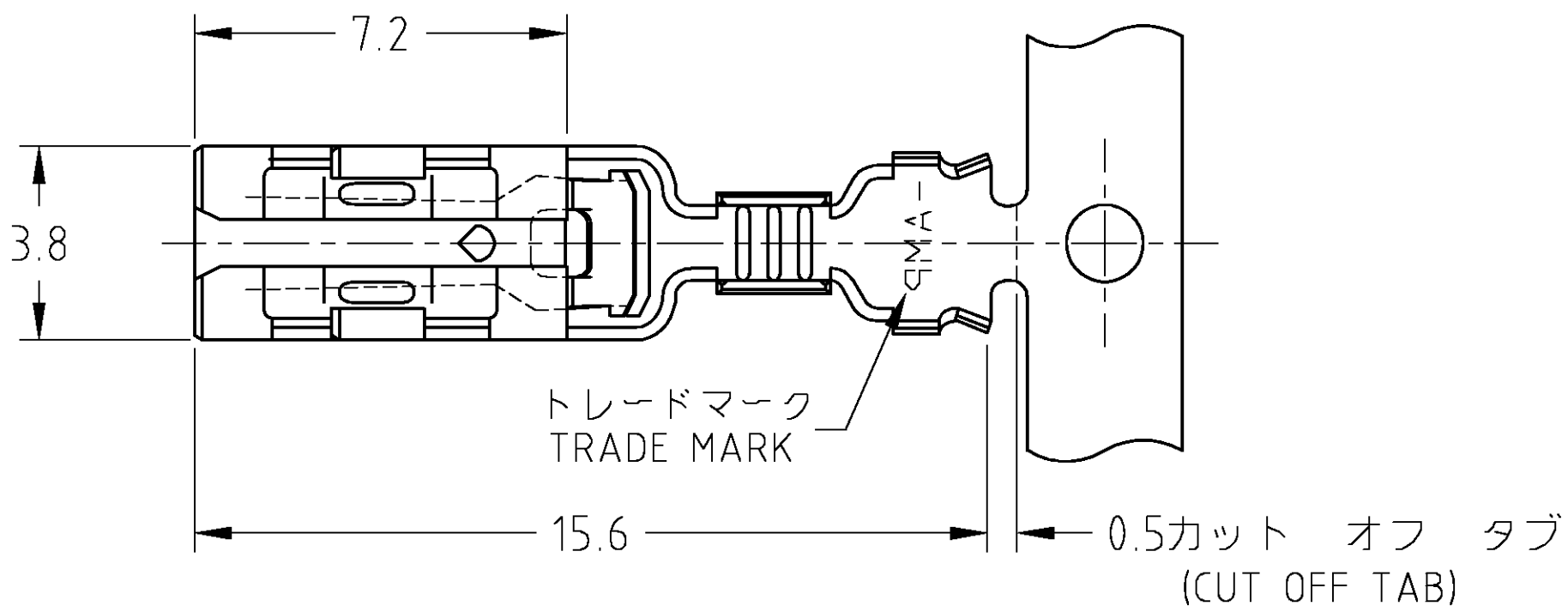
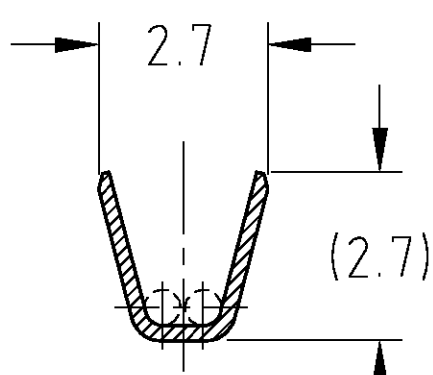
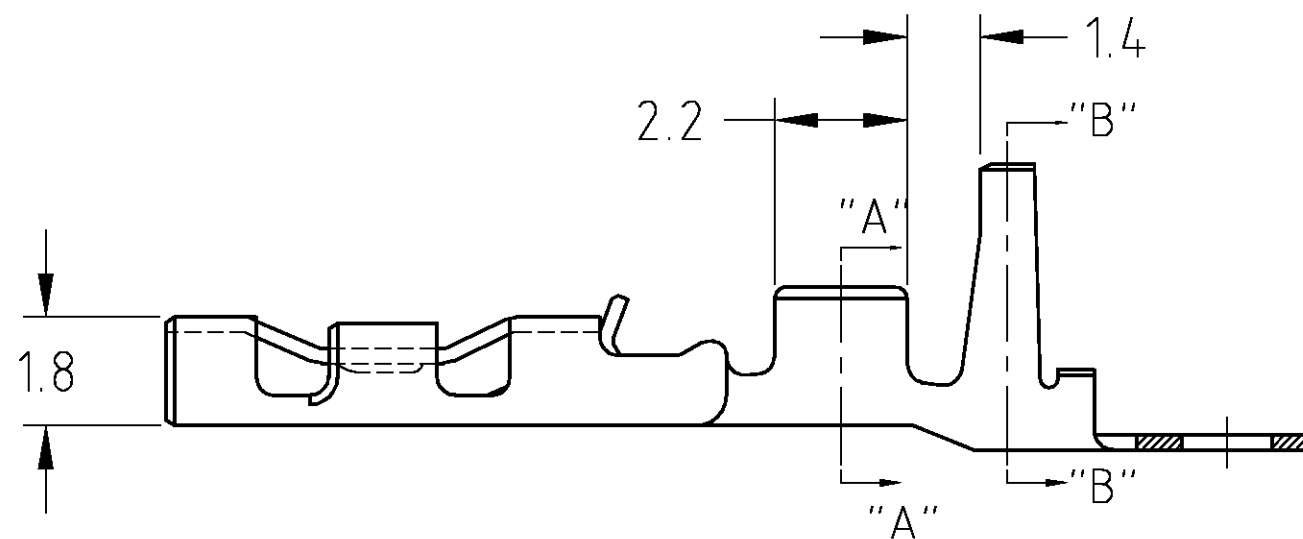
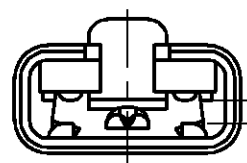


THIS DRAWING IS UNPUBLISHED. RELEASED FOR PUBLICATION
 © COPYRIGHT BY TYCO ELECTRONICS CORPORATION. ALL RIGHTS RESERVED.

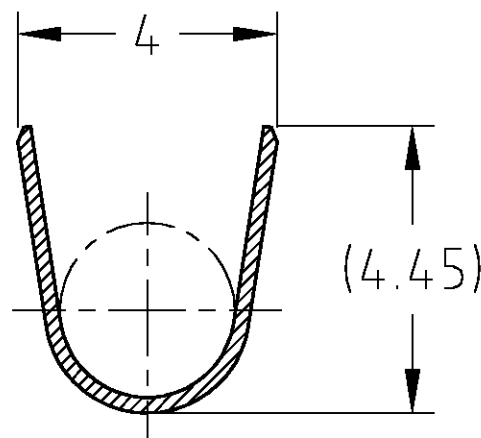
LOC	DIST	REVISIONS						
		P	LTR	DESCRIPTION	DATE	DWN	APVD	
J	—	C		REDRAWN WITH CHANGE	ECR-05-001287	20APR.'05	J.S	N.Y



110シリーズ・タブにカン合
 MATING FOR 110 SERIES TAB



断面 "A" - "A"
 SECT



断面 "B" - "B"
 SECT

錫めっき済・燐青銅 (PRE-TIN PHOS-BRO)	353250-2
材料 (MATERIAL)	型番 (P/N)

WIRE RANGE 包合電線断面積 0.5~1.25mm ² (AWG#20~#16)	INSULATION DIA 被覆外径 2.0~3.1 DIA
---	---------------------------------------

THIS DRAWING IS A CONTROLLED DOCUMENT.		DWN J.SATO 20APR2005	 Tyco Electronics AMP K.K. Kawasaki, Japan				
DIMENSIONS: 単位: 耗 mm		CHK M.SUZUKI 20APR2005					
TOLERANCES UNLESS OTHERWISE SPECIFIED: 一般公差		APVD N.YAMASAKI 20APR2005					
<table border="1"> <tr> <td>10 ≥ ± 0.2</td> <td>30 ≥ >10 ± 0.25</td> </tr> <tr> <td>100 ≥ >30 ± 0.3</td> <td>± 0.3</td> </tr> </table>		10 ≥ ± 0.2	30 ≥ >10 ± 0.25	100 ≥ >30 ± 0.3	± 0.3	PRODUCT SPEC 製品規格 108-5530	NAME 名称 110 SERIES POSITIVE LOCK EX-III REC CONTACT(DOUBLE LOCK TYPE)
10 ≥ ± 0.2	30 ≥ >10 ± 0.25						
100 ≥ >30 ± 0.3	± 0.3						
MATERIAL 材料 SEE TABLE		FINISH 仕上	APPLICATION SPEC 取付適用規格 114-5229				
WEIGHT		CUSTOMER DRAWING	SIZE A3				
SCALE 尺度 8:1		SHEET 1 OF 1	RESTRICTED TO —				
DRAWING NO 番号 C-353250		REV C					