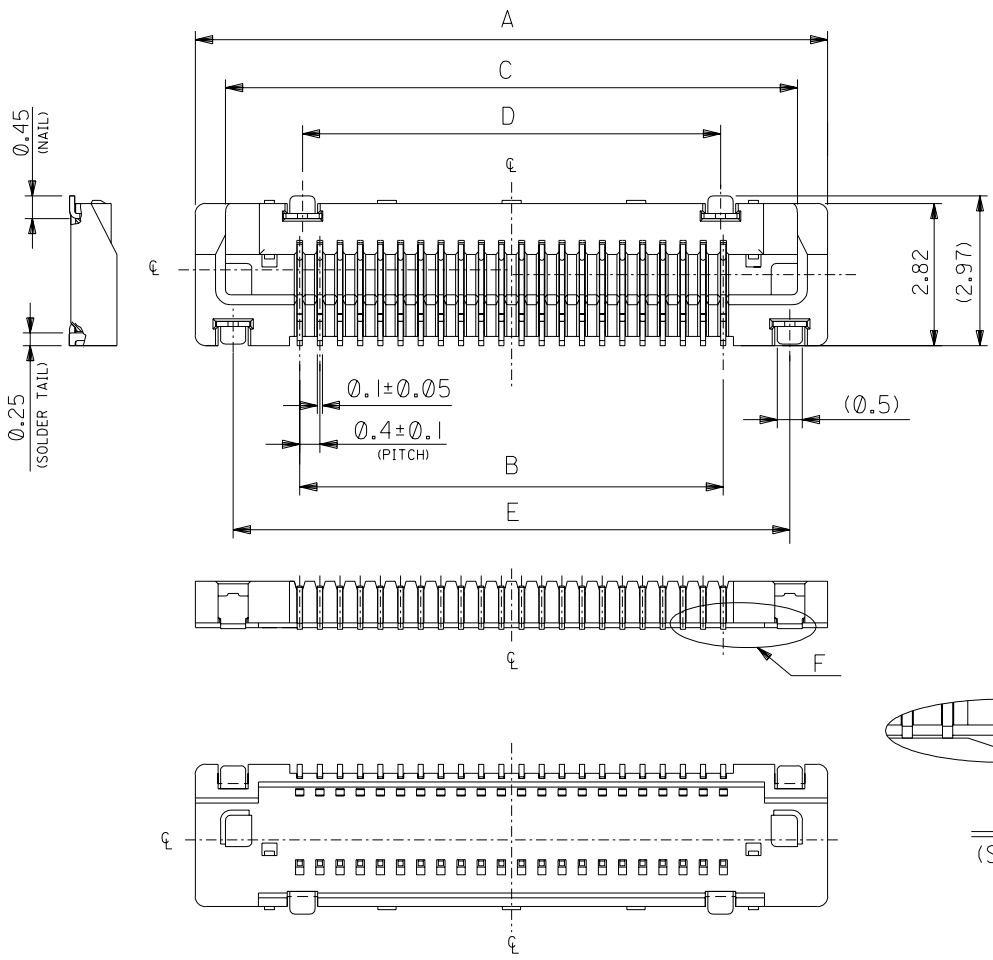


DWG. NO.
SD-500463-009



注記
NOTES

1. 材質
MATERIAL
 - 1-1. ハウジング: 液晶ポリマー-UL 94 V-0
HOUSING: LIQUID CRYSTAL POLYMER (LCP)
 - 1-2. ターミナル: 銅合金
TERMINAL: COPPER ALLOY
 - 1-3. ネール: 銅合金
NAIL: COPPER ALLOY
2. メッキ仕様
PLATING
 - 2-1. ターミナル
TERMINAL
 - 2-1-1. 接点部: 金フラッシュ
CONTACT AREA: GOLD FLASH
 - 2-1-2. 半田付け部: 金フラッシュ
SOLDER TAIL AREA: GOLD FLASH
 - 2-1-3. 下地メッキ: ニッケルメッキ 0.1 MICROMETER MIN.
UNDER PLATING: NICKEL PLATING 0.1 MICROMETER MIN.
 - 2-2. ネール
NAIL
 - 2-2-1. 半田付け部: 錫メッキ 1.0 MICROMETER MIN.
NAIL: TIN PLATING 0.1 MICROMETER MIN.
 - 2-2-2. 下地メッキ: ニッケルメッキ 0.5 MICROMETER MIN.
UNDER PLATING: NICKEL PLATING 0.5 MICROMETER MIN.
3. テール及びネールの平直度は0.1以下
TAIL AND NAIL COPLANARITY: 0.1MAX.
4. 嵌合相手: 500464 シリーズ
MATE WITH: 500464 SERIES
5. 本製品は 500463-***1 の鉛フリー品である。
THIS PRODUCT IS LEAD FREE OF 500463-***1

DETAIL F
(SCALE: 20-1)

| | | | | | | |
|-------|------|-------|-----|-------|--------------|---------|
| 11.04 | 8.29 | 11.34 | 8.4 | 12.54 | 500463-2219 | 22 |
| 8.64 | 5.89 | 8.94 | 6 | 10.14 | 500463-1619 | 16 |
| 5.04 | 2.29 | 5.34 | 2.4 | 6.54 | 500463-0719 | 7 |
| E | D | C | B | A | MATERIAL NO. | CIRCUIT |

DO NOT SCALE DRAWING

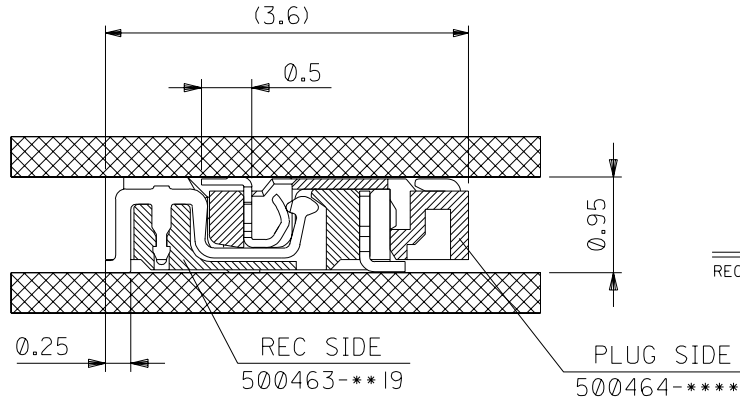
| | | | | | | |
|----------------------------------|----------------------------------|----------------------------------|----------------------------------|----------------------------------|-----------------------------------------------------------------------------------------|-----------------------------|
| EC NO. DRWN: CHK: APPR: | EC NO. DRWN: CHK: APPR: | EC NO. DRWN: CHK: APPR: | EC NO. DRWN: CHK: APPR: | EC NO. DRWN: CHK: APPR: | RELEASED EC NO. J2004-2556 DRWN: H. SHIMABUKURO CHK: K. TOJO APPR: M. SASAO | MATERIAL 材料 SEE NOTES |
| | | | | | DESCRIPTION | FINISH 仕上げ SEE NOTES |
| | | | | | REV | WIRE RANGE 適用電線範囲 —#— |
| | | | | | | INS. RANGE 被覆外径 —#— |

| | | | | | |
|---------------------------------------------------|--------------|--------------------------------------------------------------------------------------|-------------------------------------------------------|----------------------------------------------------------------------------------------------------------------------|---------------------|
| GENERAL TOLERANCES: (UNLESS SPECIFIED) 一般公差 | SCALE —#— | DESIGN UNITS <input checked="" type="checkbox"/> mm <input type="checkbox"/> INCH | THIRD ANGLE PROJECTION | DIMENSIONS: <input type="checkbox"/> mm <input type="checkbox"/> INCH <input checked="" type="checkbox"/> mm ONLY | SHT REV |
| 10 UNDER 未満 | ±0.2 | DRAWN BY & DATE H. SHIMABUKURO 04/2/20 | TITLE: 0.4 B/B H=0.95 REC HS'G ASSY -LEAD FREE- | | |
| 10 OVER 以上 | ±0.25 | CHECKED BY & DATE K. TOJO | | | |
| 30 OVER 以上 | ±0.3 | APPROVED BY & DATE M. SASAO | MOLEX MOLEX INCORPORATED | | |
| ANGLE 角度 | ±3° | CAD FILENAME 500463009.S01 | MATERIAL NO. SEE CHART | DRAWING NO. SD-500463-009 | SHEET NO. 1 OF 2 |

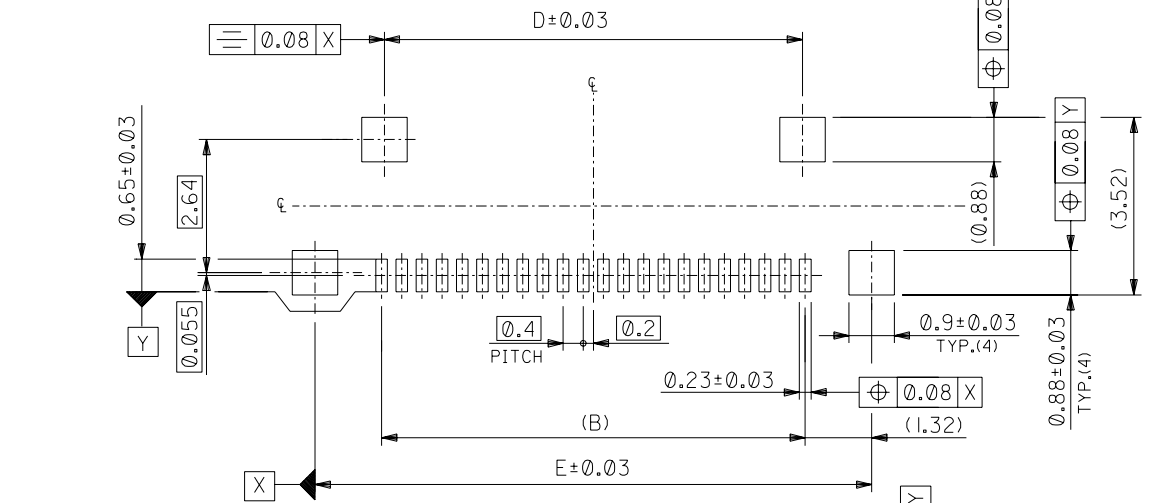
| | | | | | | | |
|---------------------------------------------------|-------|----------------------------------------------|-----------------------------------------------------------------------------------------------------------------------------------|-----------------------------------------------------------|---------------------------------------------|-----|-----------------------|
| 500463-***19 | | | MODEL NO. | DIMENSIONS: | | SHT | REV |
| GENERAL TOLERANCES: (UNLESS SPECIFIED) 一般公差 | | | THIRD ANGLE PROJECTION | <input type="checkbox"/> mm <input type="checkbox"/> INCH | <input checked="" type="checkbox"/> mm ONLY | | REVISE ON CAD ONLY |
| 10 UNDER 未満 | ±0.2 | DRAWN BY & DATE H. SHIMABUKURO 04/2/20 | TITLE: 0.4 B/B H=0.95 REC HS'G ASSY -LEAD FREE- | | | | |
| 10 OVER 以上 | ±0.25 | CHECKED BY & DATE K. TOJO | MOLEX MOLEX INCORPORATED | | | | |
| 30 OVER 以上 | ±0.3 | APPROVED BY & DATE M. SASAO | MATERIAL NO. SEE CHART | DRAWING NO. SD-500463-009 | SHEET NO. 1 OF 2 | | SIZE B |
| ANGLE 角度 | ±3° | CAD FILENAME 500463009.S01 | THIS DRAWING CONTAINS INFORMATION THAT IS PROPRIETARY TO MOLEX INCORPORATED AND SHOULD NOT BE USED WITHOUT WRITTEN PERMISSION. | | | | |

SD-500463-009S01

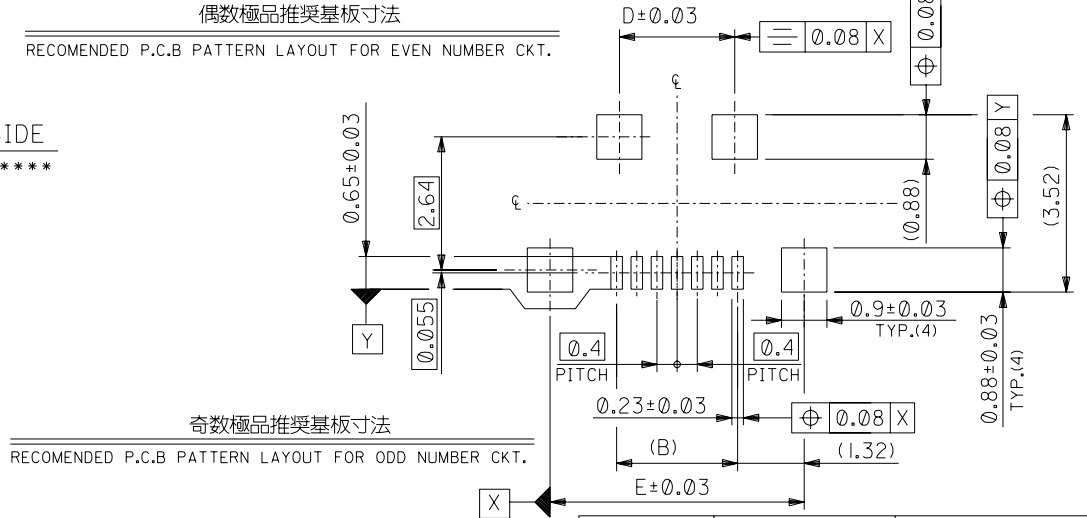
DWG. NO.
SD-500463-009



嵌合断面図 (参考)
MATED DRAWING



偶数極品推奨基板寸法
RECOMMENDED P.C.B PATTERN LAYOUT FOR EVEN NUMBER CKT.



奇数極品推奨基板寸法
RECOMMENDED P.C.B PATTERN LAYOUT FOR ODD NUMBER CKT.

DO NOT SCALE DRAWING

| | | | | | | | | | | | | | |
|--------------------------------------------------------------------------------------------------------------------------------|----------------------------------|----------------------------------|----------------------------------|----------------------------------|------------------|-----------------------------|---------------------------------------------------|-------------------------------------------|--------------------------------------------------------------------------------------|---------------------------|----------------------------------------------------------------------------------------------------------------------|------------------------------|-----------|
| EC NO. DRWN: CHK: APPR: | EC NO. DRWN: CHK: APPR: | EC NO. DRWN: CHK: APPR: | EC NO. DRWN: CHK: APPR: | EC NO. DRWN: CHK: APPR: | SEE SHEET 1 OF 2 | MATERIAL 材料 SEE NOTES | GENERAL TOLERANCES: (UNLESS SPECIFIED) 一般公差 | SCALE — # | DESIGN UNITS <input checked="" type="checkbox"/> mm <input type="checkbox"/> INCH | THIRD ANGLE PROJECTION | DIMENSIONS: <input type="checkbox"/> mm <input type="checkbox"/> INCH <input checked="" type="checkbox"/> mm ONLY | SHT REVISE ON CAD ONLY | REV |
| | | | | | | FINISH 仕上り SEE NOTES | 10 UNDER 未満 ±0.2 | DRAWN BY & DATE H.SHIMABUKURO '04/2/20 | TITLE: 0.4 B/B H=0.95 REC HS'G ASSY -LEAD FREE- | | | | |
| | | | | | | WIRE RANGE 適用電線範囲 — # | 10 OVER 30 UNDER 以上 未満 ±0.25 | CHECKED BY & DATE K.TOJO '04/2/20 | MOLEX MOLEX INCORPORATED | | | | |
| | | | | | B | INS. RANGE 被覆外径 — # | 30 OVER 以上 ±0.3 | APPROVED BY & DATE M.SASO '04/2/20 | CAD FILENAME 500463009.S02 | MATERIAL NO. SEE CHART | DRAWING NO. SD-500463-009 | SHEET NO. 2 | SIZE B |
| THIS DRAWING CONTAINS INFORMATION THAT IS PROPRIETARY TO MOLEX INCORPORATED AND SHOULD NOT BE USED WITHOUT WRITTEN PERMISSION. | | | | | | | | | | | | EN-02J(097) MXJ-54 | |

SD-500463-009S02

DWG. NO. SD-500463-010

8

7

6

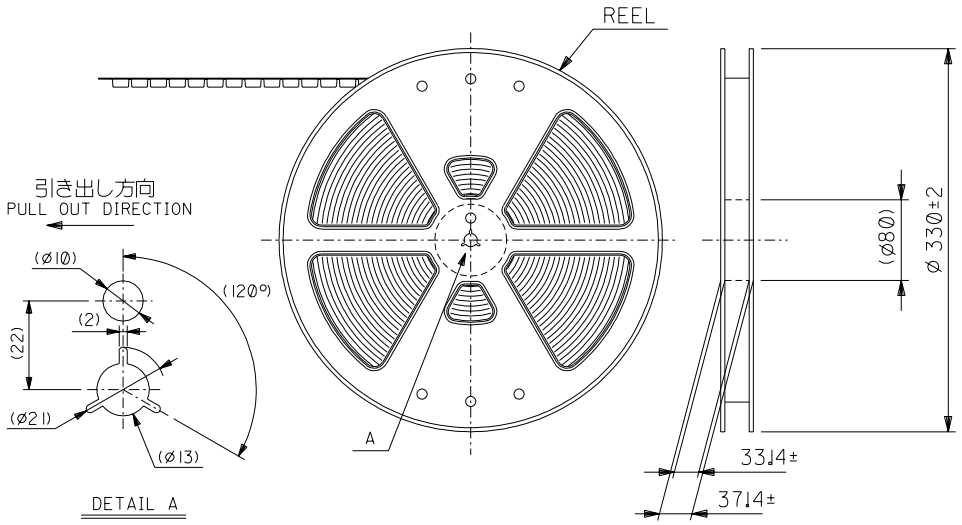
5

4

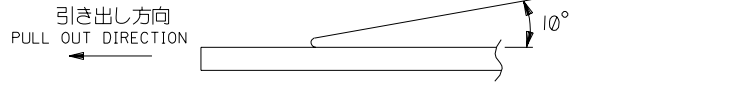
3

2

1



4. トップテープの剥離強度: 0.1~1.3N {10~130gf}
 PEEL-OFF FORCE OF TOP TAPE: 0.1~1.3N {10~130gf}
 (剥離方向は下図参照)
 (PEELING DIRECTION AS SHOWN IN FOLLOWING FIG.)
 尚、本規格値は、出荷時に適用。
 (但し、輸送時に剥離が発生しない事。)

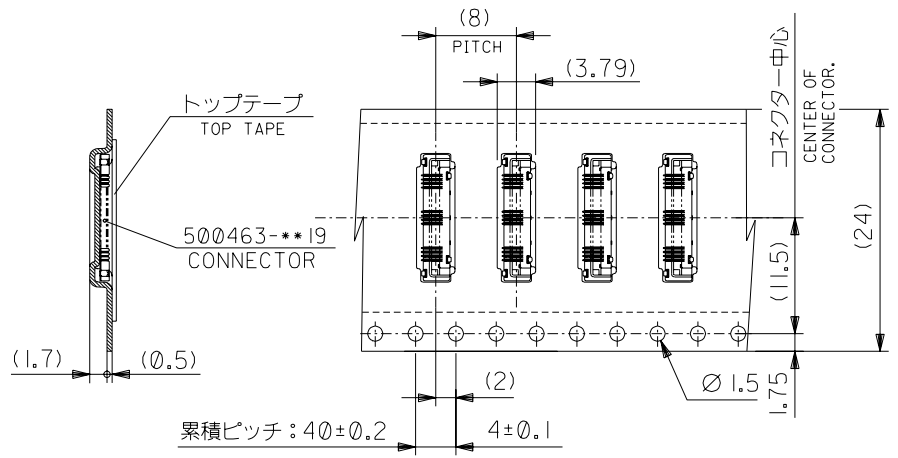
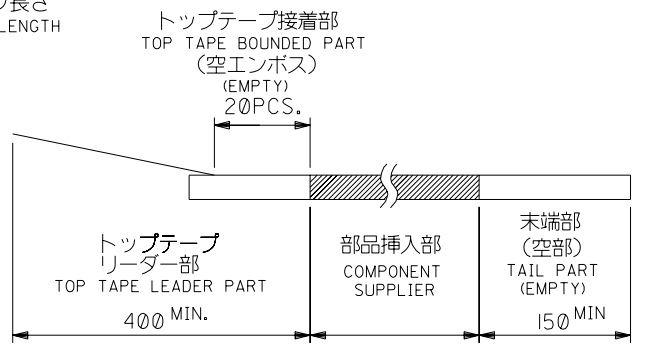


5. 材料
 MATERIAL
 キャリアテープ: ポリプロピレン (PP)
 CARRIER TAPE: POLYPROPYLENE (PP)
 トップテープ: PET, PE, PEF
 CARRIER TAPE: POLYPROPYLENE (PP)
 リール: ポリスチレン
 REEL: POLYSTYRENE

6. 本製品は 500463-***9 の鉛フリー品である。
 THIS PRODUCT IS LEAD FREE OF 500463-***9

注記
 NOTES

- 製品番号 500463-***19 の詳細寸法については、SD-500463-009 を参照下さい。
 IN THE PACKAGE, PART NO. 500463-***19 RE DETAILED DIMENSIONS, SEE SD-500463-009
- 梱包数量: 2500個/リール
 NUMBER OF CONNECTOR: 2500 PSC/REEL
- リードテープ長さ
 LEAD TAPE LENGTH



| | | |
|------|-------------|--------------|
| 22 | 500463-2219 | 500463-2279 |
| 16 | 500463-1619 | 500463-1679 |
| 7 | 500463-0719 | 500463-0779 |
| CKT. | CONNECTOR | MATERIAL No. |

DO NOT SCALE DRAWING

| | | | | | | | | | | | | | | | | | | | | |
|-----------------------------|--|-----------------------------|--|-----------------------------|--|-----------------------------|--|-----------------------------|--|---------------------------------------------------------------------------------------|-------------|---------------------------|--------------------------------------------------------------------------------------------------------------------------------|----------------------------------------------------------------|--------------------------------------------------------------------------------------|---------------------------|------------------------------|----------------------------------------------------------------------------------------------------------------------|-----------|-----|
| EC NO. DRWN: CH'K: APPR: | | EC NO. DRWN: CH'K: APPR: | | EC NO. DRWN: CH'K: APPR: | | EC NO. DRWN: CH'K: APPR: | | EC NO. DRWN: CH'K: APPR: | | RELEASED EC NO. J2004-2556 DRWN: H.SHIMABUKURO CH'K: K.TOJO APPR: M.SASAO | DESCRIPTION | MATERIAL 材料 SEE NOTES | GENERAL TOLERANCES: (UNLESS SPECIFIED) 一般公差 | SCALE | DESIGN UNITS <input checked="" type="checkbox"/> mm <input type="checkbox"/> INCH | THIRD ANGLE PROJECTION | 500463-***19 MODEL NO. | DIMENSIONS: <input type="checkbox"/> mm <input type="checkbox"/> INCH <input checked="" type="checkbox"/> mm ONLY | SHT | REV |
| | | | | | | | | | | | | 10 UNDER 未満 ±0.2 | DRAWN BY & DATE H.SHIMABUKURO 04/2/20 | TITLE: EMBOSSD TAPE PACKAGE FOR 500463-***19 -LEAD FREE- | | | | | | |
| | | | | | | | | | | | | 10 OVER 30 UNDER 未満 ±0.25 | CHECKED BY & DATE K.TOJO | MOLEX MOLEX INCORPORATED | | | | | | |
| | | | | | | | | | | | | 30 OVER 以上 ±0.3 | APPROVED BY & DATE M.SASAO | CAD FILENAME 500463010.S01 | | MATERIAL NO. SEE CHART | DRAWING NO. SD-500463-010 | SHEET NO. 1 OF 1 | | |
| | | | | | | | | | | | | ANGLE 角度 ±3° | THIS DRAWING CONTAINS INFORMATION THAT IS PROPRIETARY TO MOLEX INCORPORATED AND SHOULD NOT BE USED WITHOUT WRITTEN PERMISSION. | | | | | | SIZE B | |

8

7

6

5

4

3

2

SD-500463-010.501