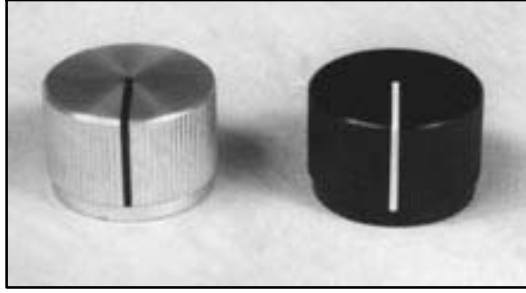


## Features

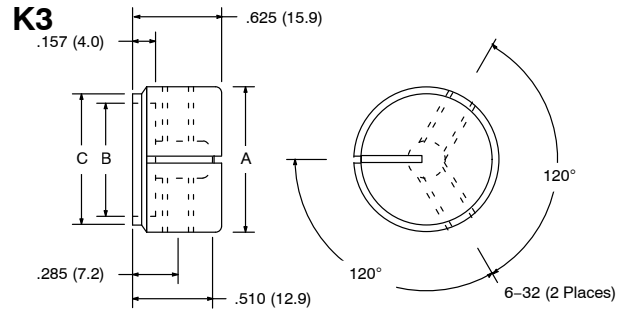
- .500", .750", and .925" Dia. types
- Available in natural aluminum (clear) or black
- Available in matte or gloss finish



# KILO

# JD Series

## Knob – Machined Aluminum



	KILO No.	NTE Part No.	Dimensions in inches (mm)				Finish
			Diameter (A)	B	C	Shaft Dia.	
<b>NEW</b>	JD-50-1-5	504-0100	.500 (12.7)	.375 (9.3)	.445 (11.3)	.250 (6.35)	Clear Gloss
	JD-50-1-6	504-0030	.500 (12.7)	.375 (9.3)	.445 (11.3)	.125 (3.2)	Clear Gloss
<b>NEW</b>	JD-50-1-6mm	504-0102	.500 (12.7)	.375 (9.3)	.445 (11.3)	.236 (6.0)	Clear Gloss
	JD-50-2-5	504-0031	.500 (12.7)	.375 (9.3)	.445 (11.3)	.250 (6.35)	Black Gloss
	JD-50-2-6	504-0032	.500 (12.7)	.375 (9.3)	.445 (11.3)	.125 (3.2)	Black Gloss
<b>NEW</b>	JD-50-2-6mm	504-0103	.500 (12.7)	.375 (9.3)	.445 (11.3)	.236 (6.0)	Black Gloss
	JD-50-3-5	504-0033	.500 (12.7)	.375 (9.3)	.445 (11.3)	.250 (6.35)	Clear Matte
<b>NEW</b>	JD-50-3-7	504-0104	.500 (12.7)	.375 (9.3)	.445 (11.3)	.236 (6.0)	Clear Matte
<b>NEW</b>	JD-50-4-5	504-0101	.500 (12.7)	.375 (9.3)	.445 (11.3)	.250 (6.35)	Black Matte
	JD-50-4-6	504-0034	.500 (12.7)	.375 (9.3)	.445 (11.3)	.125 (3.2)	Black Matte
<b>NEW</b>	JD-50-4-6mm	504-0105	.500 (12.7)	.375 (9.3)	.445 (11.3)	.236 (6.0)	Black Matte
	JD-75-1-5	504-0035	.750 (19.05)	.590 (15.0)	.695 (17.7)	.250 (6.35)	Clear Gloss
	JD-75-2-5	504-0036	.750 (19.05)	.590 (15.0)	.695 (17.7)	.250 (6.35)	Black Gloss
	JD-75-2-6	504-0037	.750 (19.05)	.590 (15.0)	.695 (17.7)	.125 (3.2)	Black Gloss
<b>NEW</b>	JD-75-3-5	504-0106	.750 (19.05)	.590 (15.0)	.695 (17.7)	.250 (6.35)	Clear Matte
	JD-75-4-5	504-0038	.750 (19.05)	.590 (15.0)	.695 (17.7)	.250 (6.35)	Black Matte
<b>NEW</b>	JD-75-4-6	504-0107	.750 (19.05)	.590 (15.0)	.695 (17.7)	.125 (3.2)	Black Matte
	JD-90-1-5	504-0039	.925 (23.5)	.708 (17.9)	.882 (22.4)	.250 (6.35)	Clear Gloss
	JD-90-2-5	504-0040	.925 (23.5)	.708 (17.9)	.882 (22.4)	.250 (6.35)	Black Gloss
	JD-90-4-5	504-0041	.925 (23.5)	.708 (17.9)	.882 (22.4)	.250 (6.35)	Black Matte
	JD-90-4-6	504-0042	.925 (23.5)	.708 (17.9)	.882 (22.4)	.125 (3.2)	Black Matte