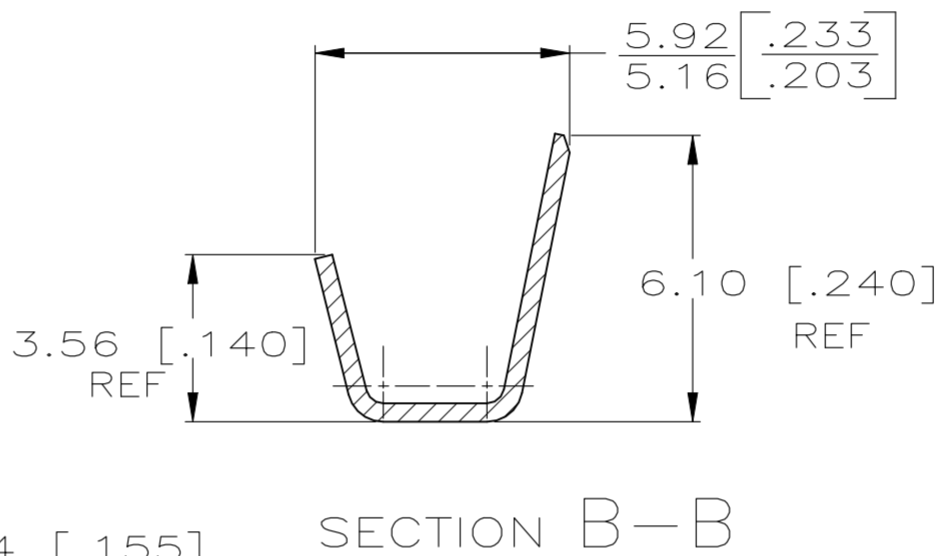
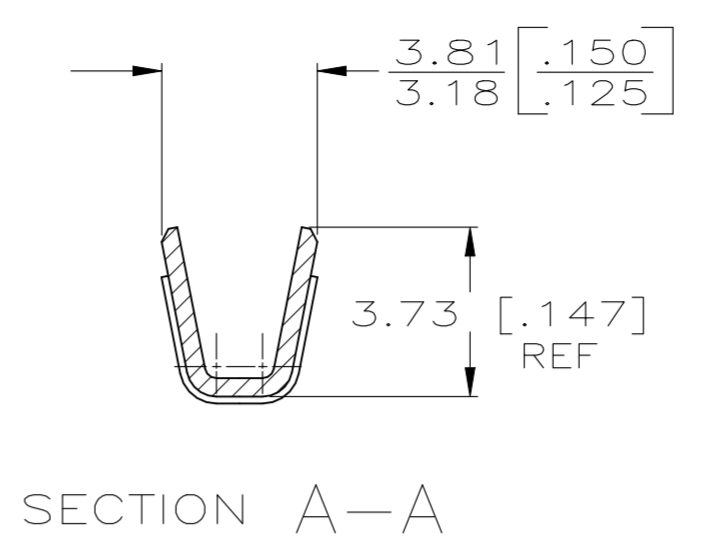
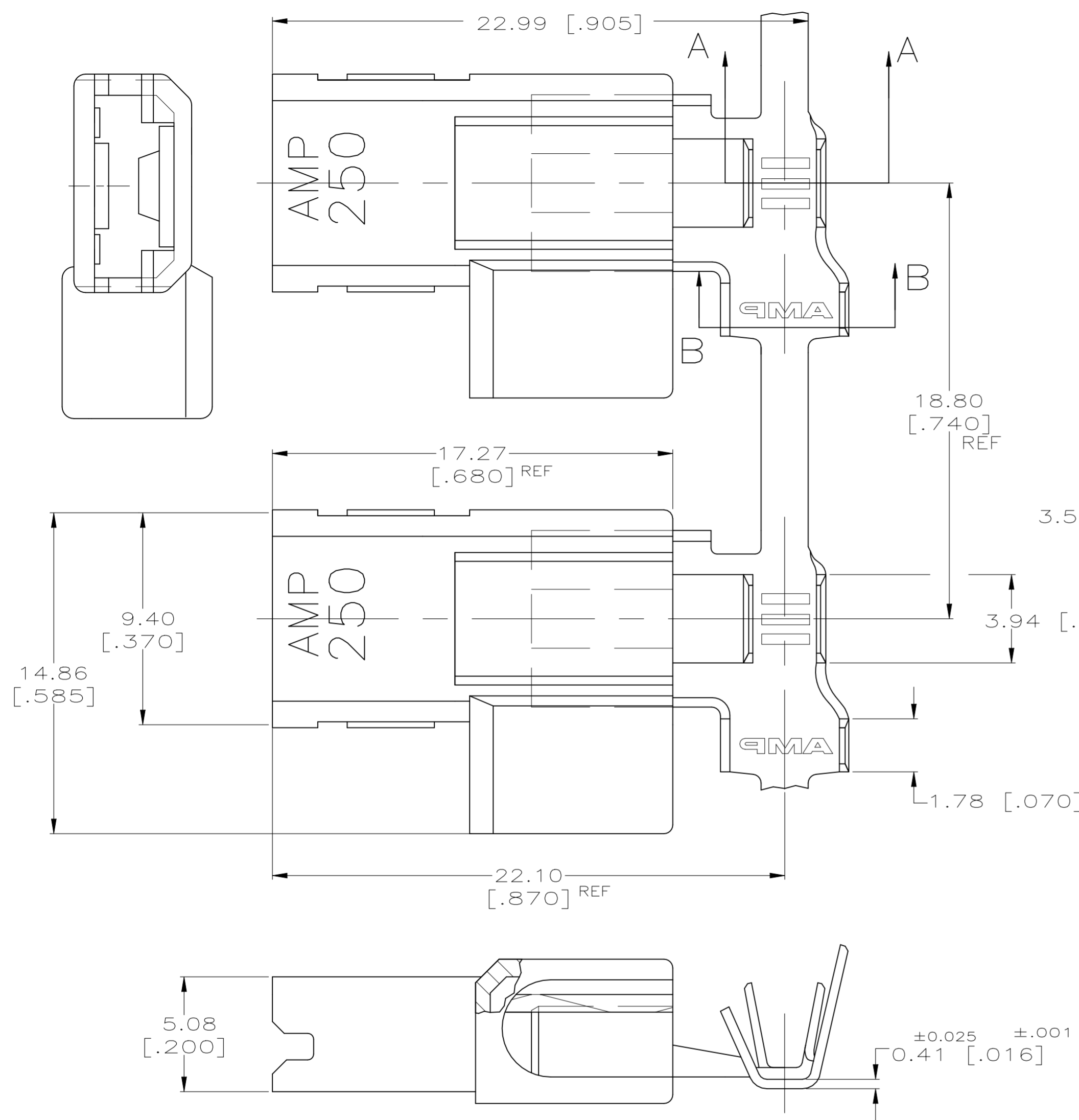
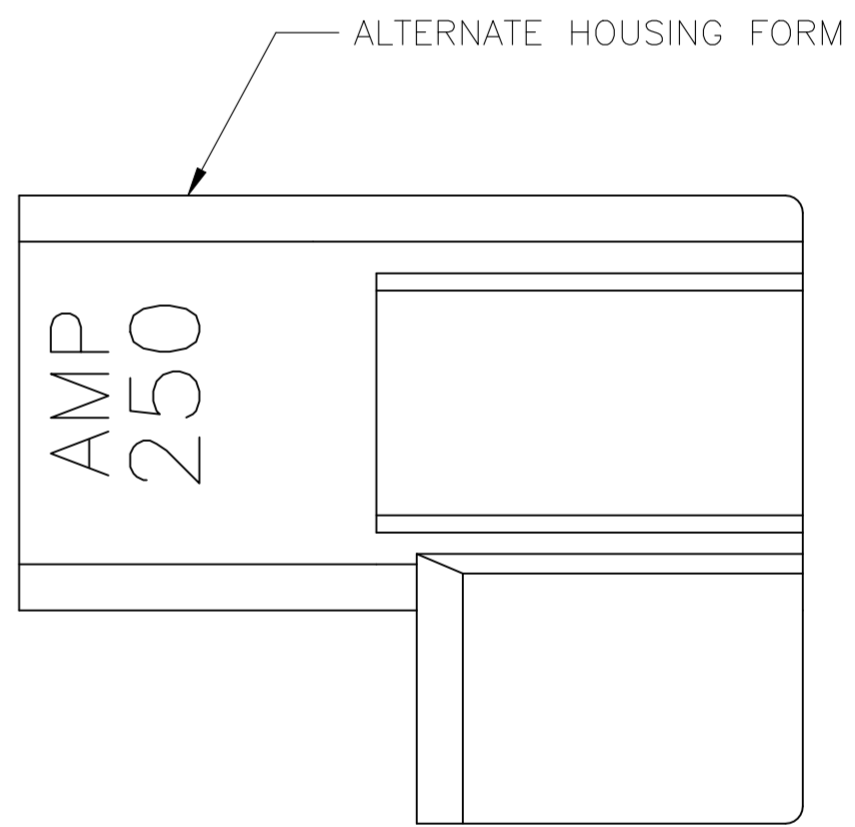


THIS DRAWING IS UNPUBLISHED. RELEASED FOR PUBLICATION
 © COPYRIGHT - TE Connectivity Ltd. ALL RIGHTS RESERVED.

REVISIONS					
P	LTR	DESCRIPTION	DATE	DWN	APVD
E3		REVISED PER ECR-22-150030	26AUG2022	SS	BW



- 1 BUDGET FLAG FASTON TERMINALS, BASE P/N 63559, ARE USED IN THIS PRODUCT.
- 2 WIRE SIZE [#18-#14] AWG.
- 3 INSULATION RANGE IS 2.79-4.06[.110-.160] DIA.
- △ 4 PRELIMINARY - NOT FOR PRODUCTION
- 5 OFFERED FOR CONSIDERATION IN APPLICATIONS REQUIRING "NON-DRIP" HOUSING MATERIAL.
- 6 NOTE DELETED
- △ 7 OBSOLETE PARTS



△ 4	-	NYLON, UL94 V-0 GWIT 960°C	TIN PLATED - 4M BRASS	521716-4
	-		PLAIN 4M BRASS	521716-3
△ 7	SUPERSEDED BY 521716-4	STANDARD	NYLON UL94 V-0	TIN PLATED - 4M BRASS
	SUPERSEDED BY 521716-3	STANDARD		PLAIN - 4M BRASS
	PACKAGING	HOUSING MATERIAL	TERMINAL FINISH - MATERIAL	PART NO

THIS DRAWING IS A CONTROLLED DOCUMENT.		DWN R FLAIG 23MAR2004	NAME	
DIMENSIONS: mm [INCHES]		CHK K YI 23MAR2004	TE Connectivity Ltd.	
TOLERANCES UNLESS OTHERWISE SPECIFIED:		APVD K YI 23MAR2004	ASSEMBLY, RECEPTACLE, FLAG, ULTRA-POD, 6.35 [.250] SERIES	
0 PLC ± -	1 PLC ± -	PRODUCT SPEC 108-1285	SIZE A2	CAGE CODE 00779
2 PLC ± -	3 PLC ± 0.25 [.010]	APPLICATION SPEC 114-2124	DRAWING NO C=521716	RESTRICTED TO -
4 PLC ± -	ANGLES ± -	MATERIAL SEE TABLE	WEIGHT -	SCALE 6:1
FINISH SEE TABLE		CUSTOMER DRAWING		SHEET 1 of 1
				REV E3