

Product / Process Change Notification (PCN)

- Major change
 Minor change

PCN #: PCN_FeAFB LFS_20181214

Affected Series: WE-AFB LFS; 74277255

PCN Date: November 14, 2018

Effective Date: December 14, 2018

Change Category:

- Equipment / Location
 General Data
 Material
 Process
 Product Design
 Shipping / Packaging
 Supplier

Contact: Product Management

Phone: +49 (0) 7942 - 945 5001

Fax: +49 (0) 7942 - 945 5179

E-Mail: pcn.eisos@we-online.com

Data Sheet Change:

- Yes No

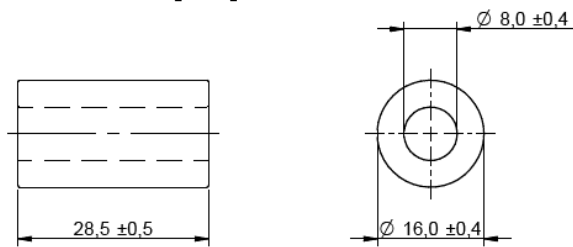
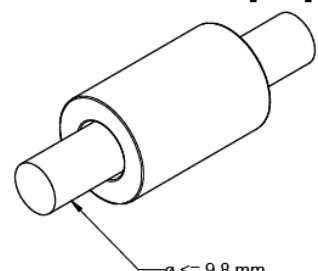
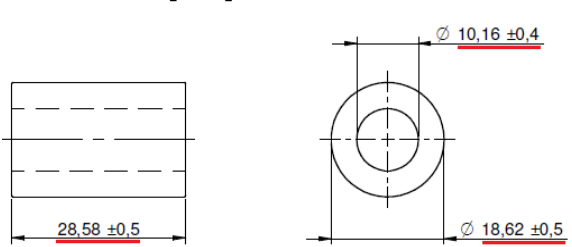
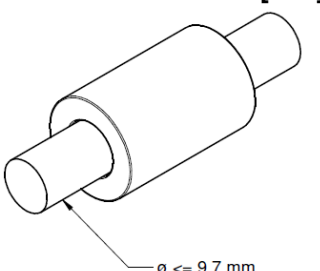
Attachment:

- Yes No

DESCRIPTION AND PURPOSE OF CHANGE:

Because of a database mismatch, Würth Elektronik corrected the mechanical dimensions of the product in the datasheet. There will be no change in form, fit, function, quality or reliability of the product.

DETAIL OF CHANGE:

Before Change	After Change
<p>Dimensions: [mm]</p>  <p>Applicable Cable Diameter: [mm]</p> 	<p>Dimensions: [mm]</p>  <p>Applicable Cable Diameter: [mm]</p> 

Würth Elektronik eiSos GmbH & Co. KG

EMC & Inductive Solutions

Max-Eyth-Straße 1 · 74638 Waldenburg · Germany

Tel. +49 (0) 79 42 945-0 · Fax +49 (0) 79 42 945-400

eiSos@we-online.de · www.we-online.de



Before Change	After Change
General Properties: Cable Diameter Max.: 9,8mm	General Properties: Cable Diameter Max.: 9,7mm
RELIABILITY / QUALIFICATION SUMMARY: Product approval is according to internal requirements released by the Total Quality Department and the Product Management Department.	