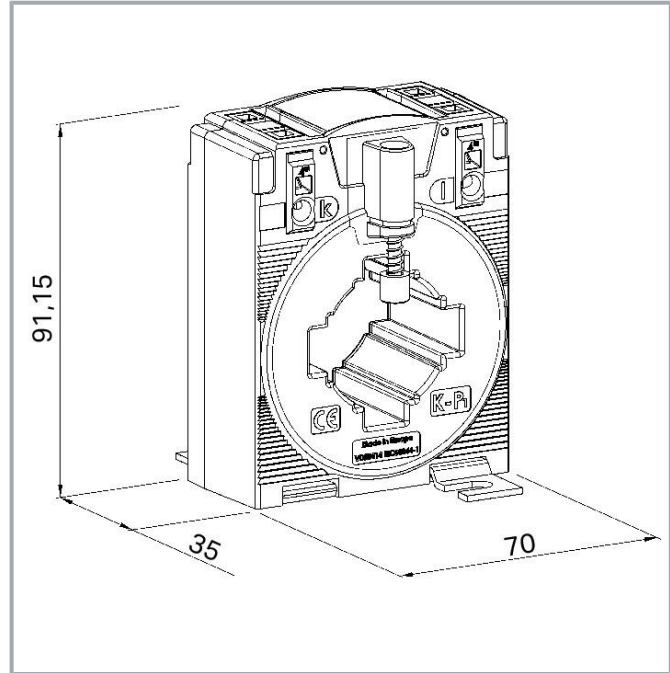
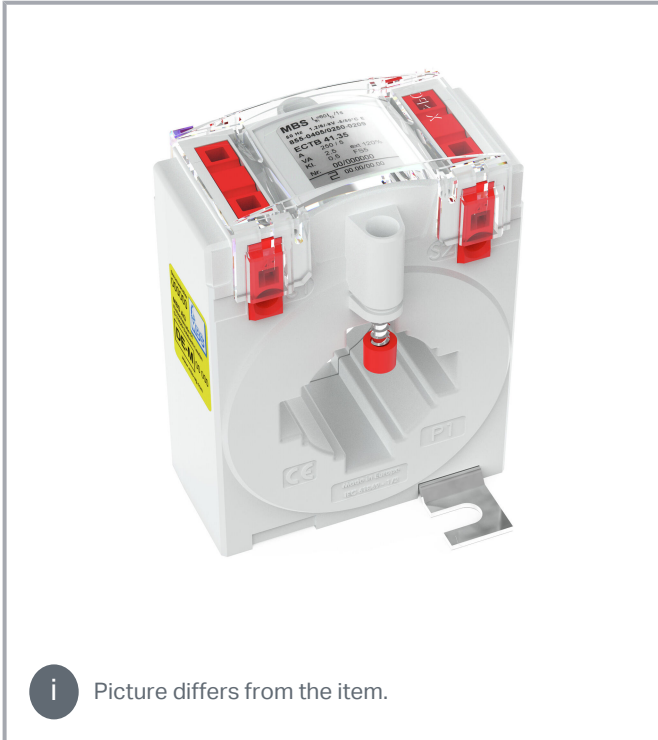


Data sheet | Item number: 855-405/250-209

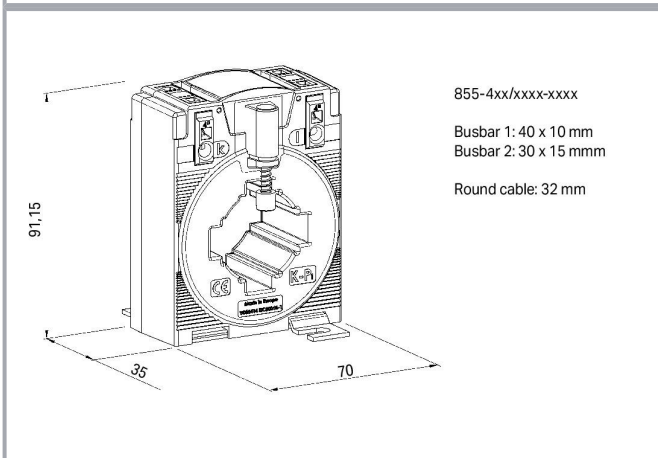
Plug-in current transformer; Primary rated current: 250 A; Secondary rated current: 5 A; Rated power: 2.5 VA; Accuracy class: 0.5; for billing purposes



www.wago.com/855-405/250-209



i Picture differs from the item.



Item description

Short description:

WAGO's plug-in current transformers for billing measurement (855 Series) are inductive, single-conductor current transformers. Due to the measurement principle used, these current transformers are exclusively designed for AC network applications.

Subject to changes. Please also observe the further product documentation!

WAGO GmbH & Co. KG
Hansastr. 27
32423 Minden
Phone: +49571 887-0 | Fax: +49571 887-169
Email: info.de@wago.com | Web: www.wago.com

Do you have any questions about our products?
We are always happy to take your call at +49 (571) 887-44222.



These plug-in current transformers comply with the conformity assessment procedure (module D) and can be used for billing.

Features:

- Screwless CAGE CLAMP® connection technology
- Several mounting options available
- Vibration- and shock-resistant
- High mechanical retention forces
- High current-carrying capacity
- Continuous overload of 120% the nominal primary current
- Low-voltage current transformer for operating voltages up to max. 1.2 kV
- For 690 V power networks
- Accessories: 879-3040; Energy Meter; with Push-in CAGE CLAMP® and lever; transformer connection (2PUCT)

Data

Technical data

Input Current Transformers

Primary rated current	250 A
Rated continuous thermal current I_{cth}	AC $1.2 \times I_N$
Rated short-time thermal current I_{th}	$60 \times I_N / 1 \text{ s}$ (max. 100 kA / 1 s)
Overcurrent limiting factor	FS5 / FS10 (type dependent; see type plate inscription)
Rated frequency	50 ... 60 Hz

Output (current transformer)

Secondary rated current	5 A
Rated power S_r	2.5 VA

Measurement Error

Accuracy class	0.5
----------------	-----

Safety and protection

Highest voltage for equipment U_m	AC 1.2 kV _{rms}
-------------------------------------	--------------------------

Test voltage

Test voltage	AC 6 kV; 50 Hz; 1 min
--------------	-----------------------

Subject to changes. Please also observe the further product documentation!



Connection data

Connection technology	CAGE CLAMP®
Solid conductor	0.08 ... 4 mm ² / 28 ... 12 AWG
Fine-stranded conductor	0.08 ... 4 mm ² / 28 ... 12 AWG
Strip length	9 ... 10 mm / 0.35 ... 0.39 inches

Physical data

Width	70 mm / 2.756 inches
Height	91.15 mm / 3.589 inches
Depth	52 mm / 2.047 inches

Mechanical Data

Mounting type	Installation on round cable Closed current transformer Installation on mounting plate Mounting on DIN-rail via DIN-rail adapter Mounting on round cable
---------------	---

Material Data

Insulation class	E
Weight	280 g

Environmental requirements

Ambient temperature (operation)	-5 ... +50 °C
Ambient temperature (storage)	-25 ... +70 °C
Operating altitude (max.)	1000 m

Standards and specifications

Conformity marking	CE
Standards/specifications	EN 61869-1 EN 61869-2

Commercial data

ETIM 8.0	EC002048
ETIM 7.0	EC002048

Subject to changes. Please also observe the further product documentation!

WAGO GmbH & Co. KG
Hansastr. 27
32423 Minden
Phone: +49571 887-0 | Fax: +49571 887-169
Email: info.de@wago.com | Web: www.wago.com

Do you have any questions about our products?
We are always happy to take your call at +49 (571) 887-44222.


PU (SPU)	1 pcs
Packaging type	box
Country of origin	DE
GTIN	4066966094572
Customs tariff number	85043129900

Environmental Product Compliance


RoHS Compliance Status	Compliant, No Exemption
------------------------	-------------------------

Approvals / Certificates

General approvals


Logo	Approval	Additional Approval Text	Certificate name
	EAC Brjansker Zertifizierungsstelle	TP TC 004/2011, TP TC 020/2011	EAC RU C-DE.AM02.B.00111 /19

Declarations of conformity and manufacturer's declarations


Logo	Approval	Additional Approval Text	Certificate name
	EU-Declaration of Conformity WAGO GmbH & Co. KG	-	-

Optional accessories

Tool

Operating tool		
	Item no.: 210-720 Operating tool; Blade: 3.5 x 0.5 mm; with a partially insulated shaft; multicoloured	www.wago.com/210-720

Mounting adapter

Fast connection adapter		
	Item no.: 855-9910 Quick-mount kit	www.wago.com/855-9910
DIN-rail adapter		

Subject to changes. Please also observe the further product documentation!



Item no.: 855-9900
Carrier rail adapter

Signal conditioner

Power measurement module



Item no.: 2857-570/024-005

3-Phase Power Measurement Module; 3x277/480 V/5 A; Modbus RTU; Digital output; Configuration via software; Supply voltage: 24 VDC

www.wago.com/2857-570/024-005

Current signal conditioner



Item no.: 857-550

Current signal conditioner; Current input signal; Current and voltage output signal; Digital output; Configuration via software; Supply voltage: 24 VDC; 6 mm module width; 2,50 mm²

www.wago.com/857-550



Item no.: 857-569

Power signal conditioner; Current and voltage input signal; Current and voltage output signal; Digital output; Configuration via software; Supply voltage: 24 VDC; 6 mm module width

www.wago.com/857-569



Item no.: 857-551

Current signal conditioner; Current input signal; Current and voltage output signal; Digital output; Configuration via software; Supply voltage: 24 VDC; 6 mm module width

www.wago.com/857-551

Energy meter



Item no.: 879-3040

Energy meter (MID); for transformer connection; 1 A / 5 A; 3x230/400V; 50Hz; Modbus[®] and M-Bus; 2 x S0 interface; 2PU CT

www.wago.com/879-3040

Downloads

Documentation

Bid Text

855-405/250-209 X81 - Datei	2020 Oct 5	xml 6.2 kB	Download
--------------------------------	------------	---------------	----------

855-405/250-209 doc - Datei	2020 Oct 5	docx 18.0 kB	Download
--------------------------------	------------	-----------------	----------

Instruction Leaflet

Aufsteck-Stromwandler		pdf 1.5 MB	Download
-----------------------	--	---------------	----------

Environmental Product Compliance

Compliance Search

Subject to changes. Please also observe the further product documentation!

Environmental Product Compliance 855-405/250-209

Plug-in current transformer; Primary rated current: 250 A; Secondary rated current: 5 A; Rated power: 2.5 VA; Accuracy class: 0.5; for billing purposes

Installation Notes

Conductor termination

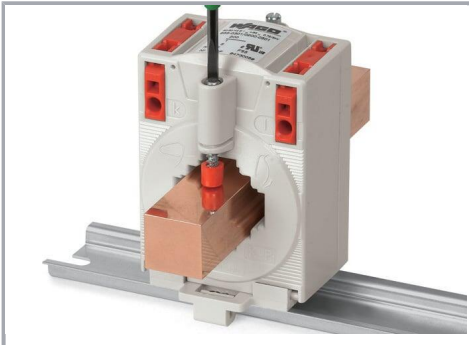


Conductor termination – screwdriver actuation perpendicular to conductor entry



Conductor termination – screwdriver actuation parallel to conductor entry

Installation



Installation on copper current bar



Installation on round cable

Subject to changes. Please also observe the further product documentation!



Installation on mounting plate



Mounting on DIN-rail via 855-9900 DIN-Rail Adapter



Installation via 855-9910 Quick-Mount Kit

Subject to changes. Please also observe the further product documentation!