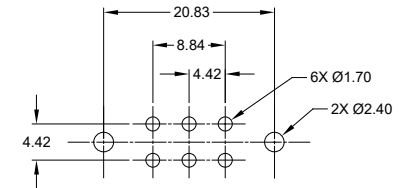
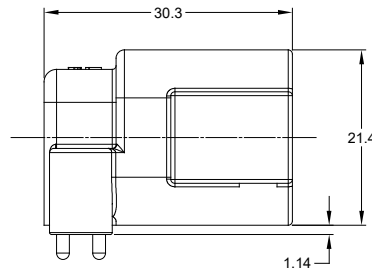
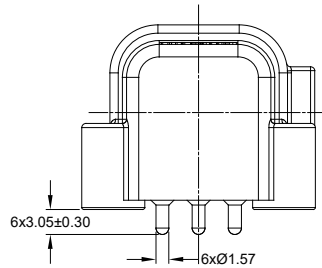


REVISIONS					
REV	ECO	DESCRIPTION	DATE	BY	APPR
A1	-	RELEASE	7JUN2018	JAH	
A2	-	UPDATE DRAWING	19/MAR/19	BROOK	TOMMY
A3	-	MODIFIED DESCRIPTION	12JUL19	BROOK	TOMMY



RECOMMENDED PCB LAYOUT



ATF13-6PX-BM1X VARIANTS

6P KEYWAY

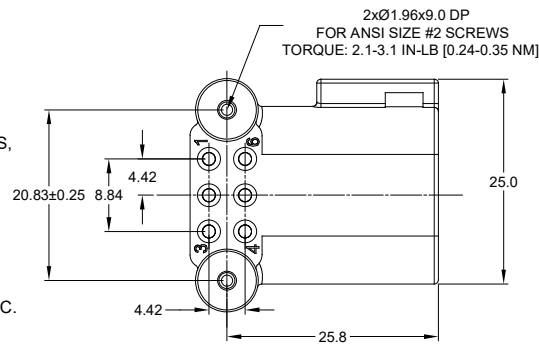
PART NUMBER	CONTACT PLATING	HSG COLOR
ATF13-6P-BM11	GOLD	BLACK
ATF13-6P-BM13	TIN	BLACK

6P2 KEYWAY

PART NUMBER	CONTACT PLATING	HSG COLOR
ATF13-6P2-BM11BLU	GOLD	BLUE
ATF13-6P2-BM13BLU	TIN	BLUE

NOTES: UNLESS OTHERWISE SPECIFIED

- MATERIAL:
HOUSING: THERMOPLASTIC
CONTACT: COPPER ALLOY
PLATING: NICKEL UNDERPLATE
SEE CHART FOR OVERALL FINISH
- MODIFICATIONS: RIGHT ANGLE PCB MOUNT, SCREW BOSS, KEYED, HOUSING COLOR
- SPECIFICATIONS:
3.1 CURRENT RATING: 13 AMPS
3.2 OPERATING TEMPERATURE: -55°C TO +125°C
3.3 DIELECTRIC WITHSTANDING VOLTAGE: LESS THAN 2 MILLIAMPS CURRENT LEAKAGE @ 1500 VOLTS AC.
3.4 INSULATION RESISTANCE: 1000 MEGOHMS MIN @ 25°C.
3.5 MOISTURE RESISTANCE: IP67 (MATED CONDITION)
3.6 MATING CYCLE DURABILITY: 100 CYCLES
3.7 RoHS COMPLIANT
- MATING PART: AT06-6S* PLUG
(* = MODIFICATIONS AND COLORS)
- ALL DIMENSIONS ARE FOR REFERENCE USE ONLY.



SEE PART NUMBER CHART		REF: DTF13-6P, DTF13-6P-G003, DTF13-6P2-G003	
PART NUMBER		DESCRIPTION	
QUANTITY	MATERIALS LIST		
UNLESS OTHERWISE SPECIFIED: 1) All dimensions are in metric (mm). 2) Tolerances are as follows: 1 PL DEC ±0.30 2 PL DEC ±0.15 3 PL DEC ±0.08 3) Note reference =		SIGNATURES DATE DRAWN: BROOKING 12/JUL/19 CHECKED: ORION LI 12/JUL/19 ENGINEER: APPROVAL: TOMMY XIE 12/JUL/19 CUSTOMER:	
MATERIAL SPECIFICATIONS:		<p>Sine Systems - www.amphenol-sine.com 44724 Morley Drive Clinton Township, MI 48036</p>	
PROCESS SPECIFICATIONS:		<p>THIS DRAWING IS SUPPLIED FOR INFORMATION ONLY. DESIGN FEATURES, SPECIFICATIONS AND PERFORMANCE DATA SHOWN HEREON ARE THE PROPERTY OF THE AMPHENOL CORPORATION. NO RIGHTS OF REPRODUCTION ARE IMPLIED. ALL DIMENSIONS ARE SUBJECT TO NORMAL MANUFACTURING VARIATIONS.</p>	
NEXT ASSY:	SIZE: B C	TYPE: ATF13-6PX-BM1XXXX	REVISION: A3
	SCALE: NONE	SHEET 1 OF 1	

TITLE: RIGHT ANGLE RECEPT AT 6 PIN SCREW BOSS BOARDLOCK
DWG NO: ATF13-6PX-BM1X
REV: A3
SH: 1
OF: 1