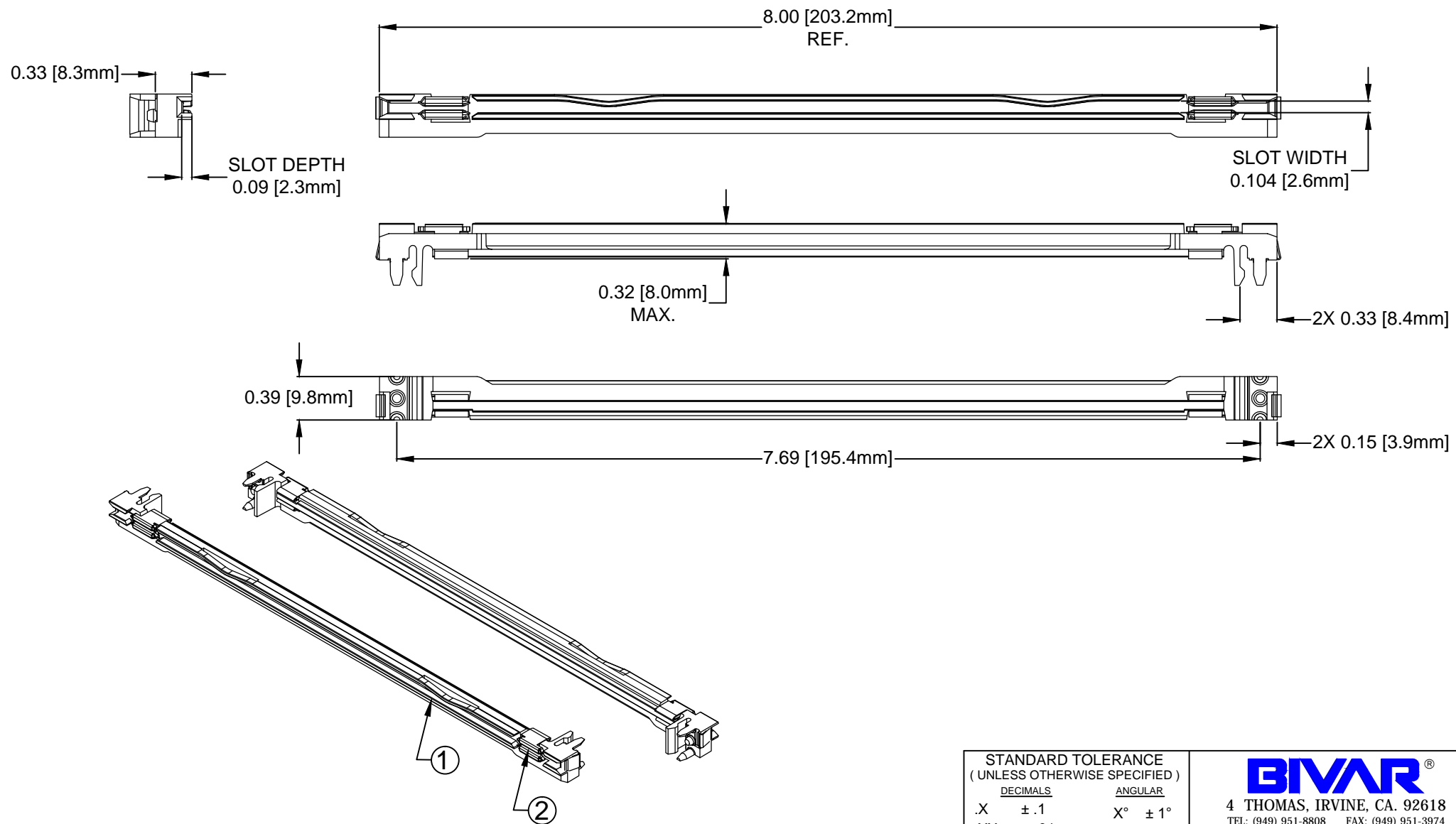



ITEM	Q'TY	PART NUMBER	PART DESCRIPTION
1	1	CPCI-MV220	Card Guide, Pre-Assembled with Aluminum Body
2	2	CPCI-ESD3	CPCI ESD Clips, PCB Grounding

REV.	DESCRIPTION	DATE	APPROVED
B	Engineering Release.	11/19/14	J. C.



- 3. ESD CLIPS ARE PRE-ASSEMBLED
- 2. MATERIAL: POLYCARBONATE, 20% GLASS FILLED & ALUMINUM BODY
- 1. GENERAL SPECIFICATIONS: BIVAR MOLDED COMPONENT SPECIFICATION BV00-E101.

STANDARD TOLERANCE (UNLESS OTHERWISE SPECIFIED)		 BIVAR [®] 4 THOMAS, IRVINE, CA. 92618 TEL: (949) 951-8808 FAX: (949) 951-3974	
DECIMALS	ANGULAR		
.X ±.1	X° ± 1°	TITLE: VME CARD GUIDE PART NO: CPCI-MV220-ESD3 CAGE CODE : 32559 SHEET # 1 OF 1 <small>CAD GENERATED DOCUMENT, DO NOT MEASURE DRAWING.</small>	
.XX ±.01			
.XXX ±.005			
DESIGNED: Alex Wright	DATE: 08/21/14	REVISION: B	
CHECKED: Brian Oliver	DATE: 08/21/14		