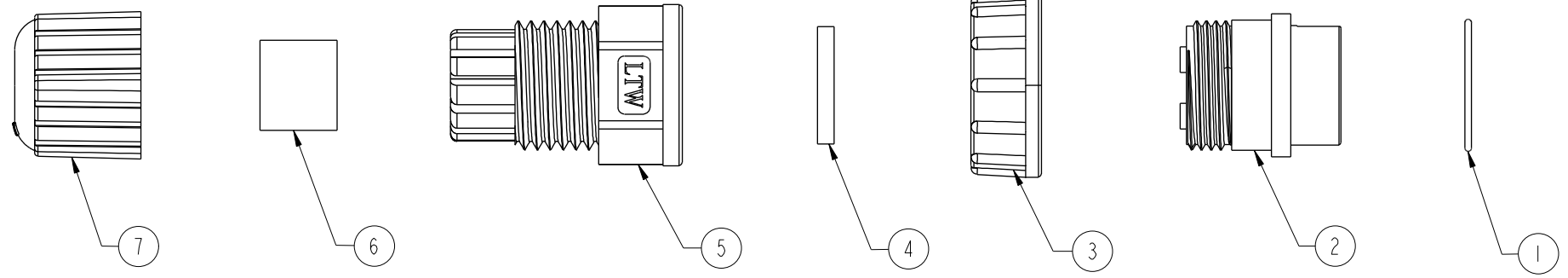


THIS DOCUMENT IS SUBJECT TO CHANGE WITHOUT NOTICE. IT IS CONFIDENTIAL AND A PROPERTY OF AMPHENOL LTW. DISCLOSURE TO THIRD PARTY HAS TO BE AUTHORIZED BY AMPHENOL LTW.

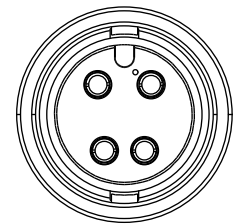
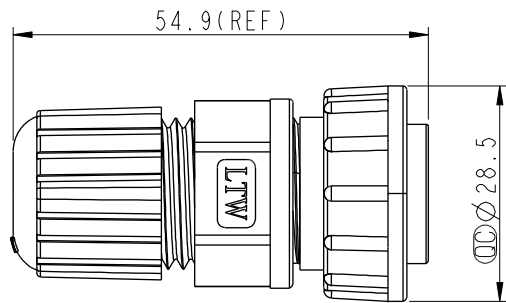
REV.	ECN NO.	DATE	SIGN	DESCRIPTION
B	LEN-870147	2008/07/25	Yuri	Update Drawing



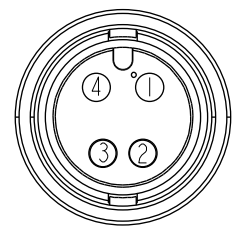
**ALTW**  
**CONFIDENTIAL**  
 2012-05-04  
**R&D DEPT.**

**ALTW**  
**DCC. DEPT.**  
**CONFIDENTIAL**  
 2012-06-15  
**ISSUED**

- Notes:
- \*  $\varnothing$  Important Dimension To Check.
  - \* Waterproof Rate: IP67
  - \* Housing: Black, Nylon+GF
  - \* Pin: Copper Alloy, Gold Plated
  - \* Nut: Black, Nylon+GF
  - \*  $\triangle B$  Gasket: Black, Silicone
  - \* Ring: Black, EPDM
  - \* Clamp Ring: Black, Nylon
  - \*  $\triangle B$  Seals: Black, EPDM
  - \* Sealing Nut: Black, Nylon
  - \* Seal For Cable OD:  $\varnothing$  5.5mm~10.8mm
  - \* One Set Unassembled In One PE Bag



Conn.



Pin Assignments  
Front View

UNIT: mm  TOLERANCE .X ±0.25 .XX ±0.1 .XXX ±0.05 ANGLES ±1°	TITLE Large Assy Lock 4Pin F Conn F Pin			ITEM NO. DC-04BFFA-LL7001		DRAWN BY SamChang		DATE 2012-05-04			
	SCALE 1:1			SIZE A4		SHEET 1 OF 1		CHECKED BY Jeffrey		DATE 2012-06-15	
	REV. B			WC-REV. A.2		$\varnothing$ : Inspection item		APPROVED BY Lion		DATE 2012-06-15	
	Amphenol LTW 安費諾亮泰企業股份有限公司				CUSTOMER ALTW		DATE 2012-06-15				