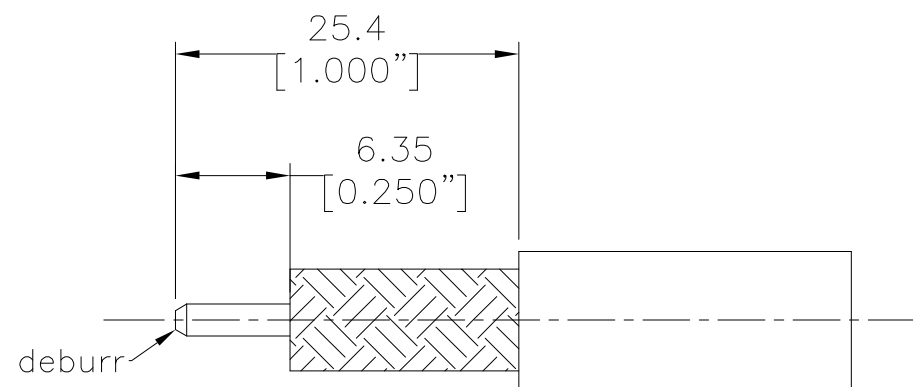
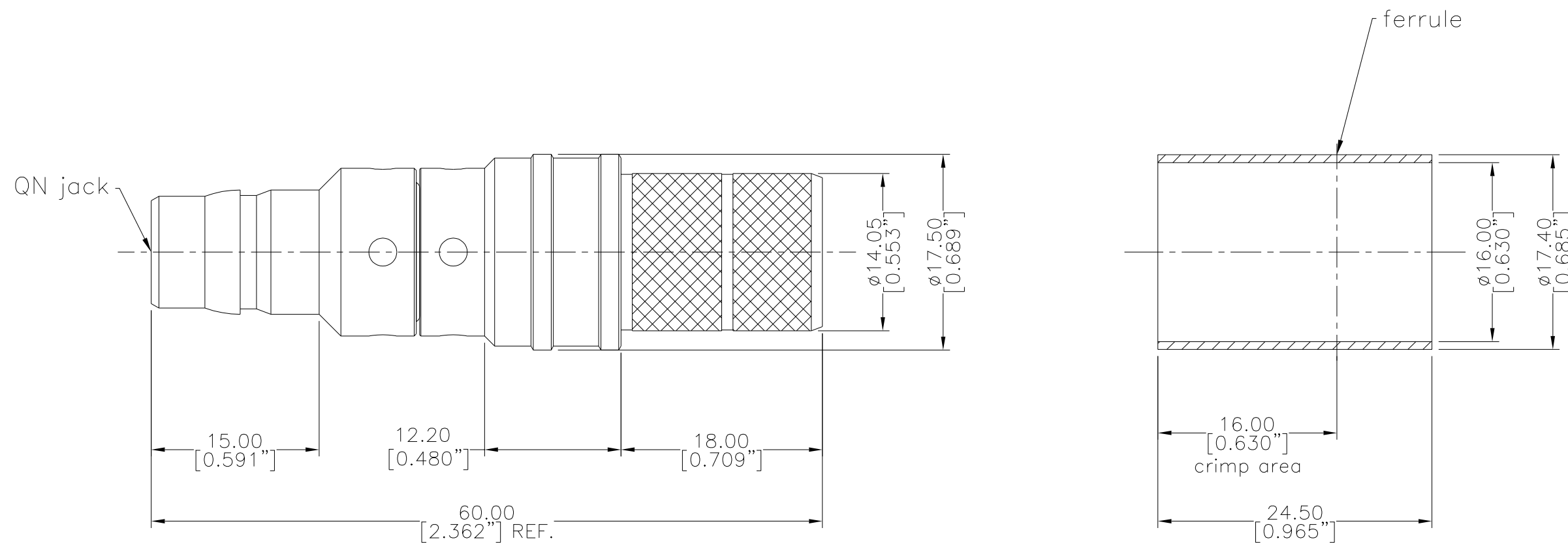


NOTICE OF PROPRIETARY RIGHTS THIS DOCUMENT CONTAINS CONFIDENTIAL DATA, INCLUDING TRADE SECRETS, PROPRIETARY TO TIMES MICROWAVE SYSTEMS. DISCLOSURE OF THIS DATA IS EXPRESSLY CONDITIONED UPON YOUR ASSENT THAT ITS USE IS LIMITED TO USE WITHIN YOUR COMPANY ONLY. ANY OTHER USE IS STRICTLY PROHIBITED WITHOUT THE PRIOR WRITTEN CONSENT OF TIMES MICROWAVE SYSTEMS.

| SYM | REVISION DESCRIPTION | DFTM | DATE | APPD | APPD |
|-----|-------------------------|---------|------------|--------|------------|
| A | RELEASED FOR PRODUCTION | Patrick | 2019/04/19 | Joslen | 2019/04/19 |



RECOMMENDED CABLE STRIPPING DIM'S
Connector Adds: 36.95 mm

Interface Compatible with Standard:
QLF®

I. MATERIALS & FINISHES

| Components | Materials | Finishes | Thk. (μ") |
|-------------|------------------|----------|-----------|
| Body | Brass | Sn-Ni | 100 |
| Contact Pin | Beryllium Copper | Gold | 50 |
| Insulator | PTFE | -- | -- |
| Ferrule | Copper | Sn-Ni | 100 |

II. ELECTRICAL PROPERTIES

| | |
|----------------------------------|-----------------|
| Impedance: | 50 Ω |
| Frequency Range: | DC to 6 GHz |
| Dielectric Withstanding Voltage: | 2000 V rms |
| Insulation Resistance: | ≥10000 MΩ |
| VSWR: | ≤1.30 |
| Insertion Loss: | -0.1x√f(GHz) dB |

III. ENVIRONMENTAL PROPERTIES


| | |
|--------------------|-----------------------------------------|
| Temperature Range: | -40°C to +125°C |
| Thermal Shock: | MIL-STD-202, Meth.107, Cond. B |
| Vibration: | IEC 1169-1 Para. 9.3.3 (10-500 Hz; 5 g) |
| Shock: | MIL-STD-202, Meth.213, Cond. I |
| Climatic Class: | IEC 60068 40/125/21 |
| RoHS: | Compliant |

IV. MECHANICAL PROPERTIES

| | |
|--------------------------------|---------------|
| Center Contact: | Spring Finger |
| Outer Contact: | Crimp |
| Coupling Nut Torque: | N/A |
| Cbl-Connector Retention Force: | 200 lbs |
| Durability: | 100 Cycles |

V. TOOLINGS & ACCESSORIES

| | |
|-------------------|-------------------|
| Stripping Tool: | 3192-052/ CST-600 |
| Crimping Tool: | 3192-170/ CT-600 |
| Heat Shrink Tube: | 1"x2" (3:1) 1 pcs |
| WSB Boot Option: | 3109-401/ WSB-600 |

| MATL: | UNLESS OTHERWISE SPECIFIED | DFTM. Patrick |  EZ-600-QNF-X QN Female (Jack) Straight Non-Solder Pin No Braid Trim Connector for LMR-600 Cable |
|------------|-------------------------------------------------------------------------------------------------------------------------------------------------------------------------------------------------------------------------------------|-----------------|----------------------------------------------------------------------------------------------------------------------------------------------------------------------------------------------------------|
| | ALL DIMENSIONS ARE IN mm MACHINED SURFACES FINISH 1.6 RMS MAX. REMOVE ALL BURRS 0.15X45° MAX. BREAK MACHINE CORNERS 0.15X45° D MAX. FILLET R. TOLERANCES ON DECIMALS .X ±0.3 .XX ±0.15 ANGLES ±2° FRACTIONS ± N/A | DATE 2019/04/19 | |
| USED ON: O | | CHKD Monica | |
| | | DATE 2019/04/19 | |
| SCALE: N/A | DWG SIZE A3 | APPD Joslen | |
| | DO NOT SCALE DRAWING | DATE 2019/04/19 | SHT 1/1 |
| | CODE IDENT 68999 | | 3190-8050 REV A |