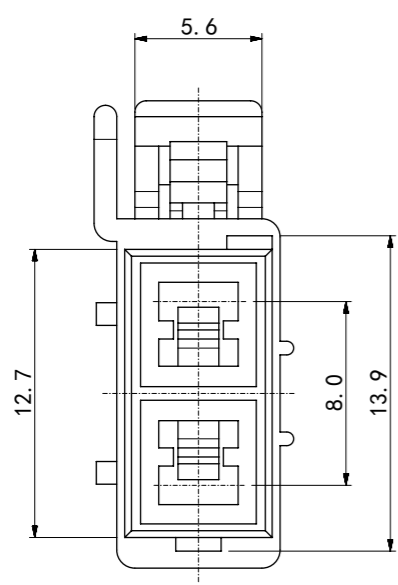
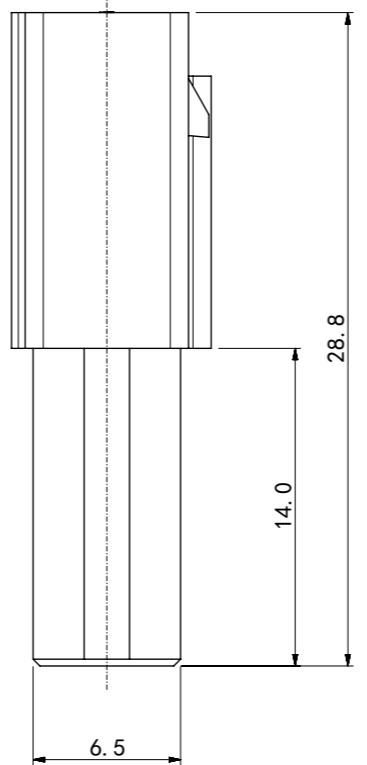
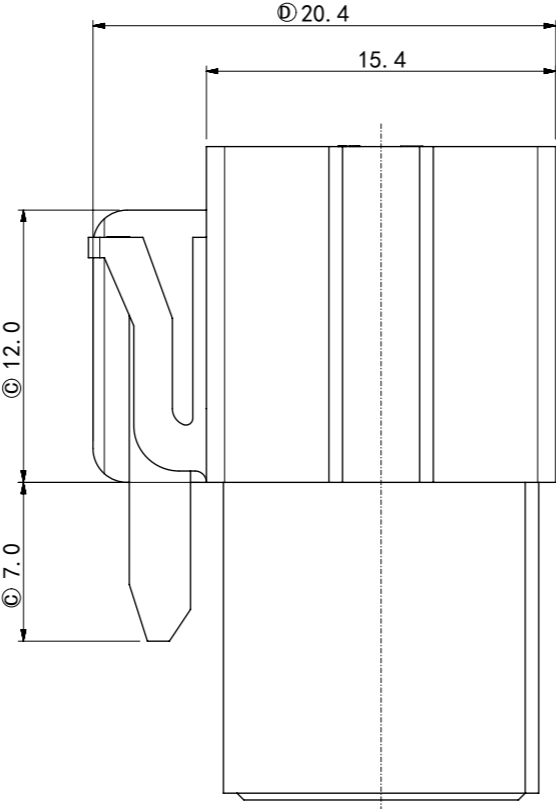
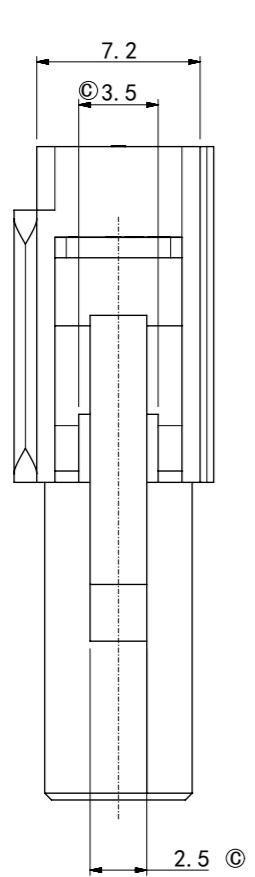
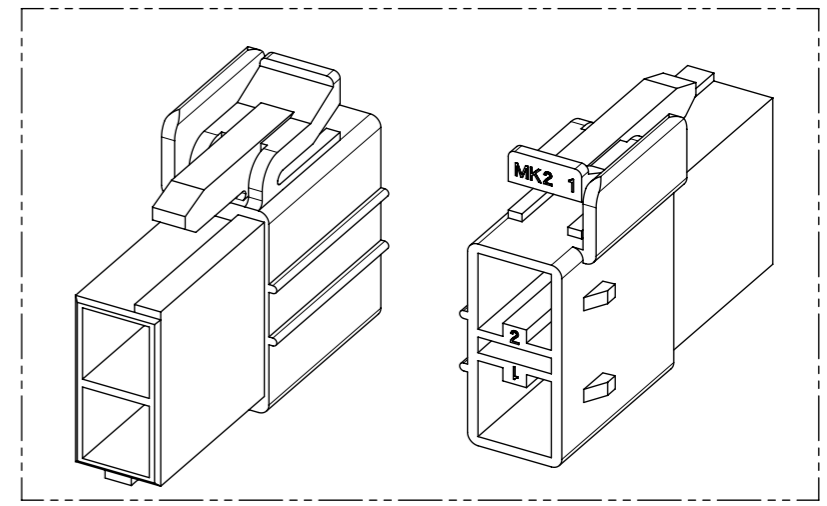


NOTE

1. MATERIAL & COLOR : SEE TABLE
2. MATED HOSUING : 35180-*40* / 35180-*60*
3. APPLICABLE TERMINAL : 35745-0*10
4. MATED TPA : 35965-029*
5. PRODUCT SPECIFICATION : PS 351800400 / 351800600
6. PACKAGING SPECIFICATION : PK-35965-001



NO.	POLYESTER (PBT)		© PET/PC (UL94V-0)	
	MATERIAL	COLOR	MATERIAL	COLOR
1	35965-0210	NATURAL	35965-9210	NATURAL
2	35965-0212	RED	35965-9212	RED
3	35965-0213	YELLOW	35965-9213	YELLOW
4	35965-0214	BLUE	35965-9214	BLUE

SYMBOLS ▽ = 0 ▽ = 0 ▽ = 0 ▽ = 0 ▽ = 0 ▽ = 0 ▽ = 0 ▽ = 0 ▽ = 0 ▽ = 0 ▽ = 0	THIS DRAWING CONTAINS INFORMATION THAT IS PROPRIETARY TO MOLEX ELECTRONIC TECHNOLOGIES, LLC AND SHOULD NOT BE USED WITHOUT WRITTEN PERMISSION DIMENSION UNITS: mm SCALE: 3:1	CURRENT REV DESC: EC NO: 177777 DRWN: JSSHIN 2018/06/08 CHK'D: SHCHU 2018/06/08 APPR: YSKIM02 2018/06/08	 .070 MULTI FEMALE HSG -2P (B-TYPE)		
	GENERAL TOLERANCES (UNLESS SPECIFIED) ANGULAR TOL ± 1.0° 4 PLACES ± 3 PLACES ± 2 PLACES ± 1 PLACE ± 0.3 0 PLACES ± 0.3	INITIAL REVISION: DRWN: SCHONG03 2017/12/15 APPR: YSKIM02 2018/06/08			
	DRAFT WHERE APPLICABLE MUST REMAIN WITHIN DIMENSIONS THIRD ANGLE PROJECTION DRAWING: A3-SIZE SERIES: 35965	MATERIAL NUMBER: SEE TABLE CUSTOMER: GENERAL MARKET	DOCUMENT NUMBER: 359659210 DOC TYPE: PSD DOC PART: 000 REVISION: E	SHEET NUMBER: 1 OF 1	
	THIS DRAWING CONTAINS INFORMATION THAT IS PROPRIETARY TO MOLEX ELECTRONIC TECHNOLOGIES, LLC AND SHOULD NOT BE USED WITHOUT WRITTEN PERMISSION				