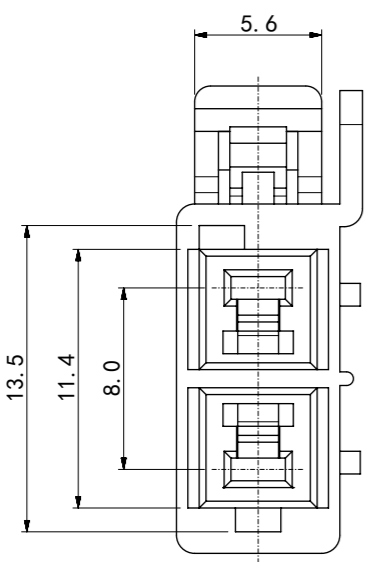
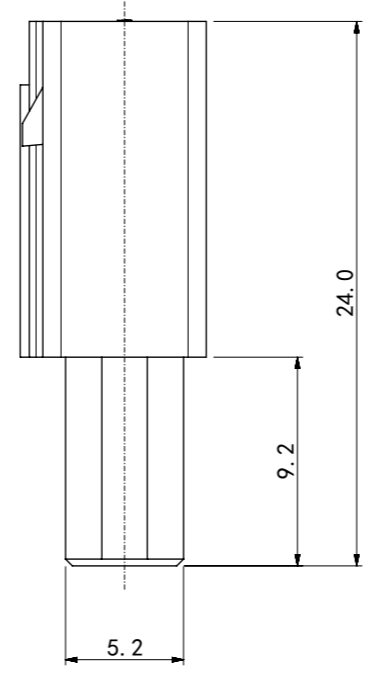
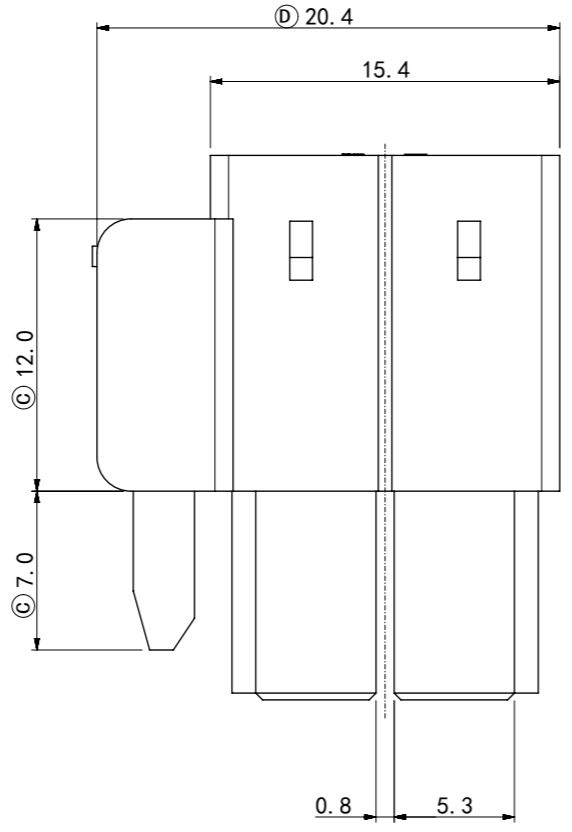
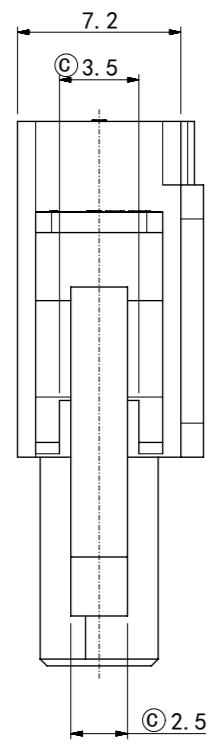
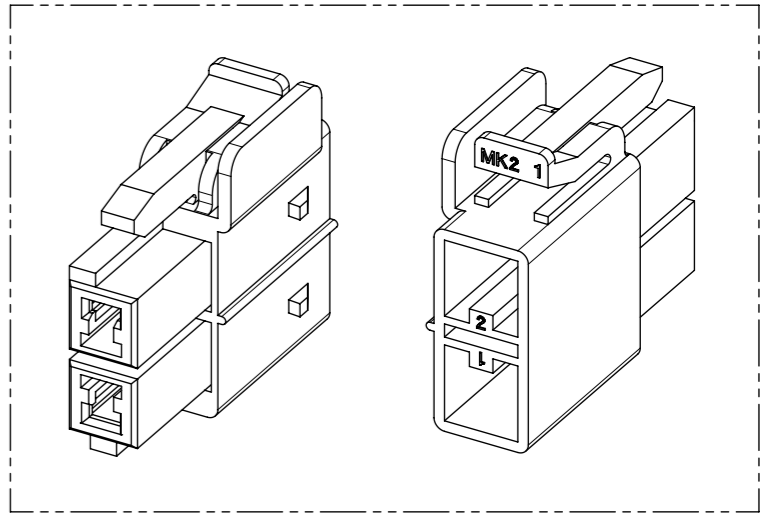
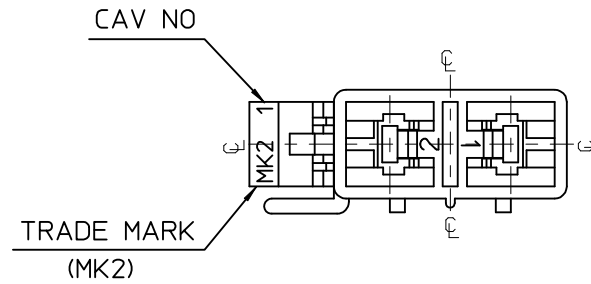
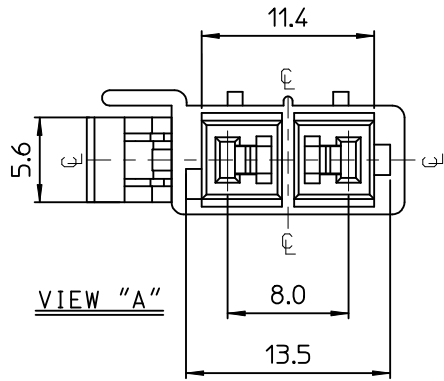


- NOTE**
1. MATERIAL & COLOR : SEE TABLE
 2. MATED HOSUING : 35180-*40* / 35180-*60*
 3. APPLICABLE TERMINAL : 35746-0*10
 4. MATED TPA : 35965-029*
 5. PRODUCT SPECIFICATION : PS 351800400 / 351800600
 6. PACKAGING SPECIFICATION : PK-35965-001



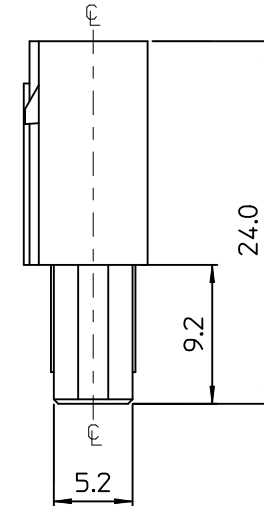
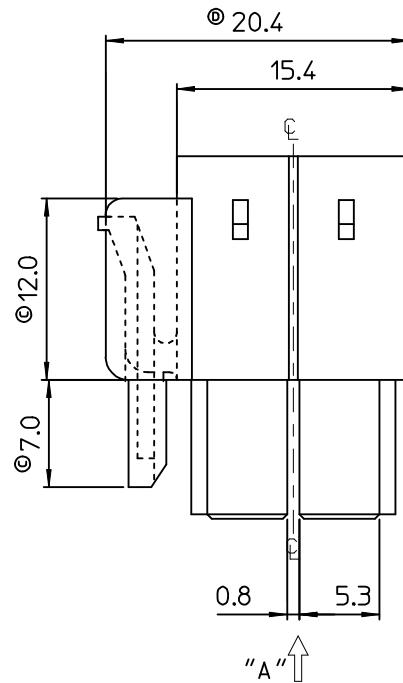
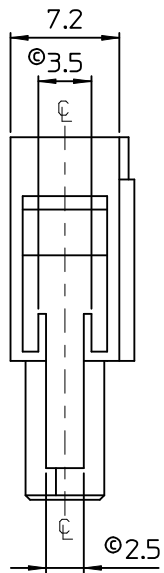
NO.	C PC/PET (UL94V-0)	
	MATERIAL	COLOR
1	35965-9200	NATURAL
2	35965-9202	RED
3	35965-9203	YELLOW
4	35965-9204	BLUE

SYMBOLS ▽ = 0 ▽ = 0 ▽ = 0 ▽ = 0 ▽ = 0 ▽ = 0 ▽ = 0 ▽ = 0 ▽ = 0	THIS DRAWING CONTAINS INFORMATION THAT IS PROPRIETARY TO MOLEX ELECTRONIC TECHNOLOGIES, LLC AND SHOULD NOT BE USED WITHOUT WRITTEN PERMISSION DIMENSION UNITS: mm SCALE: 3:1	CURRENT REV DESC: EC NO: 177777 DRWN: JSSHIN 2018/06/08 CHK'D: SHCHU 2018/06/08 APPR: YSKIM02 2018/06/08	
	GENERAL TOLERANCES (UNLESS SPECIFIED) ANGULAR TOL ± 1.0° 4 PLACES ± 3 PLACES ± 2 PLACES ± 1 PLACE ± 0.3 0 PLACES ± 0.3	INITIAL REVISION: DRWN: SCHONG03 2017/12/15 APPR: YSKIM02 2018/06/08	
	DRAFT WHERE APPLICABLE MUST REMAIN WITHIN DIMENSIONS THIRD ANGLE PROJECTION DRAWING: A3-SIZE SERIES: 35965	MATERIAL NUMBER: SEE TABLE CUSTOMER: GENERAL MARKET	DOCUMENT NUMBER: 359659200 DOC TYPE: PSD DOC PART: 000 REVISION: E
		SHEET NUMBER: 1 OF 1	



NOTES.

1. MATERIAL & COLOR : SEE TABLE
2. MATED HOUSING : 35180-040*
35180-060*
3. APPLICABLE TERMINAL : 35746-0*10
4. APPLICABLE T.P.A : 35965-029*
5. PRODUCT SPECIFICATION : PS-35180-002



NO.	POLYESTER(PBT)		PC/PET(UL94V-0)	
	MATERIAL	COLOR	MATERIAL	COLOR
1	35965-0200	NATURAL	35965-9200	NATURAL
2	35965-0202	RED	35965-9202	RED
3	35965-0203	YELLOW	35965-9203	YELLOW
4	35965-0204	BLUE	35965-9204	BLUE

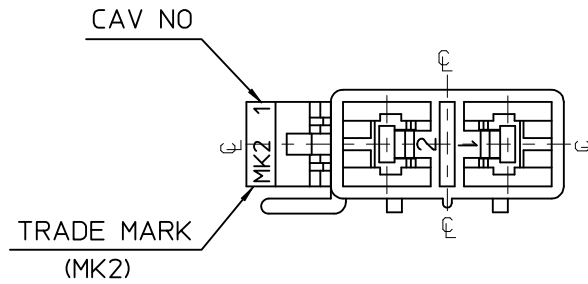
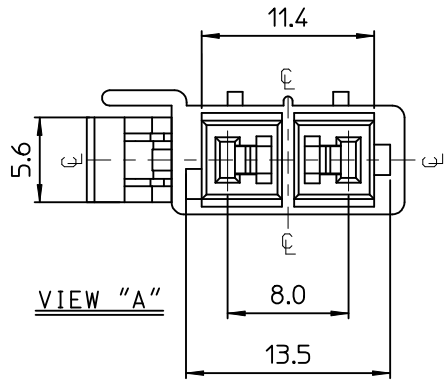
REVISED	DESCRIPTION
EC NO: KOR2017-0041	
DRWN: JSSHIN	2017/02/16
CHKD: SHCHU	2017/02/16
APPR: YSKI1M02	2017/02/17
D1	REV

QUALITY SYMBOLS
= 0
= 0

GENERAL TOLERANCES (UNLESS SPECIFIED)	
	mm
4 PLACES	± 0.3
3 PLACES	± 0.4
2 PLACES	± 0.5
1 PLACE	± 0.6
ANGULAR ± 1°	
DRAFT WHERE APPLICABLE MUST REMAIN WITHIN DIMENSIONS	

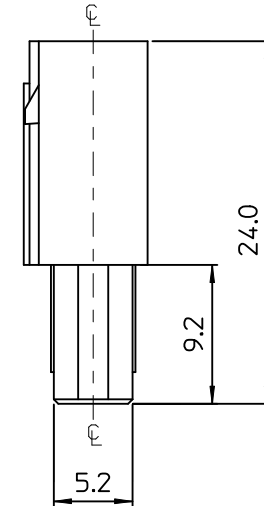
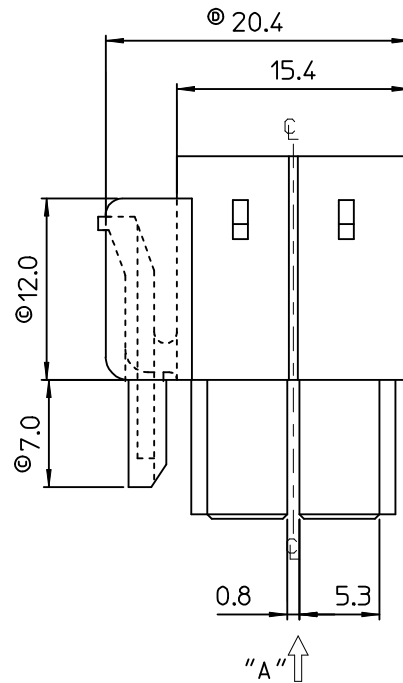
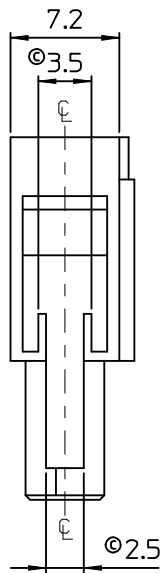
DIMENSION STYLE	
MM ONLY	
DRAWN BY	DATE
JS.KANG	1995/09/28
CHECKED BY	DATE
BK.CHOI	1995/09/28
APPROVED BY	DATE
CW.LEE	1995/09/28
MATERIAL NO.	SEE TABLE
SIZE	A3

SCALE	3/1
DESIGN UNITS	METRIC
THIRD ANGLE PROJECTION	
TITLE	
070 MULTI FEMALE HSG 2P(A)	
MOLEX INCORPORATED	
DOCUMENT NO.	SD-35965-020*
SHEET NO.	1 OF 01
THIS DRAWING CONTAINS INFORMATION THAT IS PROPRIETARY TO MOLEX INCORPORATED AND SHOULD NOT BE USED WITHOUT WRITTEN PERMISSION	



NOTES.

1. MATERIAL & COLOR : SEE TABLE
2. MATED HOUSING : 35180-040*
35180-060*
3. APPLICABLE TERMINAL : 35746-0*10
4. APPLICABLE T.P.A : 35965-029*
5. PRODUCT SPECIFICATION : PS-35180-002



NO.	POLYESTER(PBT)		PC/PET(UL94V-0)	
	MATERIAL	COLOR	MATERIAL	COLOR
1	35965-0200	NATURAL	35965-9200	NATURAL
2	35965-0202	RED	35965-9202	RED
3	35965-0203	YELLOW	35965-9203	YELLOW
4	35965-0204	BLUE	35965-9204	BLUE

REVISED	DESCRIPTION
EC NO: KOR2017-0041	
DRWN: JSSHIN	2017/02/16
CHKD: SHCHU	2017/02/16
APPR: YSKI1M02	2017/02/17
D1	REV

QUALITY SYMBOLS
$\nabla = 0$
$\nabla = 0$

GENERAL TOLERANCES (UNLESS SPECIFIED)	
	mm
4 PLACES	± 0.3
3 PLACES	± 0.4
2 PLACES	± 0.5
1 PLACE	± 0.6
ANGULAR ± 1°	
DRAFT WHERE APPLICABLE MUST REMAIN WITHIN DIMENSIONS	

DIMENSION STYLE	
MM ONLY	
DRAWN BY	DATE
JS.KANG	1995/09/28
CHECKED BY	DATE
BK.CHOI	1995/09/28
APPROVED BY	DATE
CW.LEE	1995/09/28
MATERIAL NO.	SEE TABLE
SIZE	A3

SCALE	3/1
DESIGN UNITS	METRIC
THIRD ANGLE PROJECTION	
TITLE	
070 MULTI FEMALE HSG 2P(A)	
MOLEX INCORPORATED	
DOCUMENT NO.	SD-35965-020*
SHEET NO.	1 OF 01
THIS DRAWING CONTAINS INFORMATION THAT IS PROPRIETARY TO MOLEX INCORPORATED AND SHOULD NOT BE USED WITHOUT WRITTEN PERMISSION	