

F

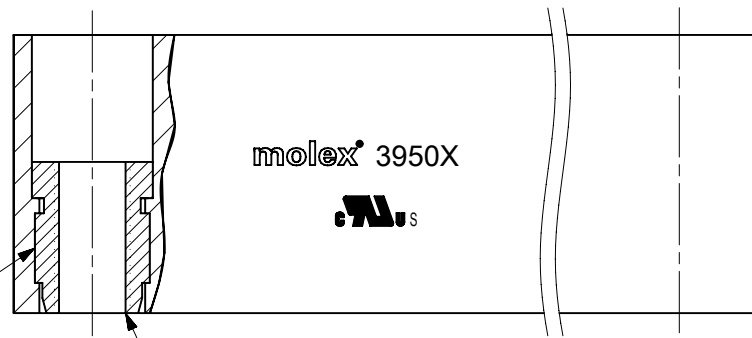
E

D

C

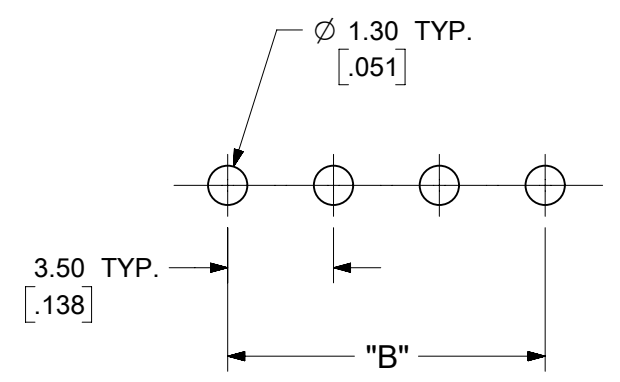
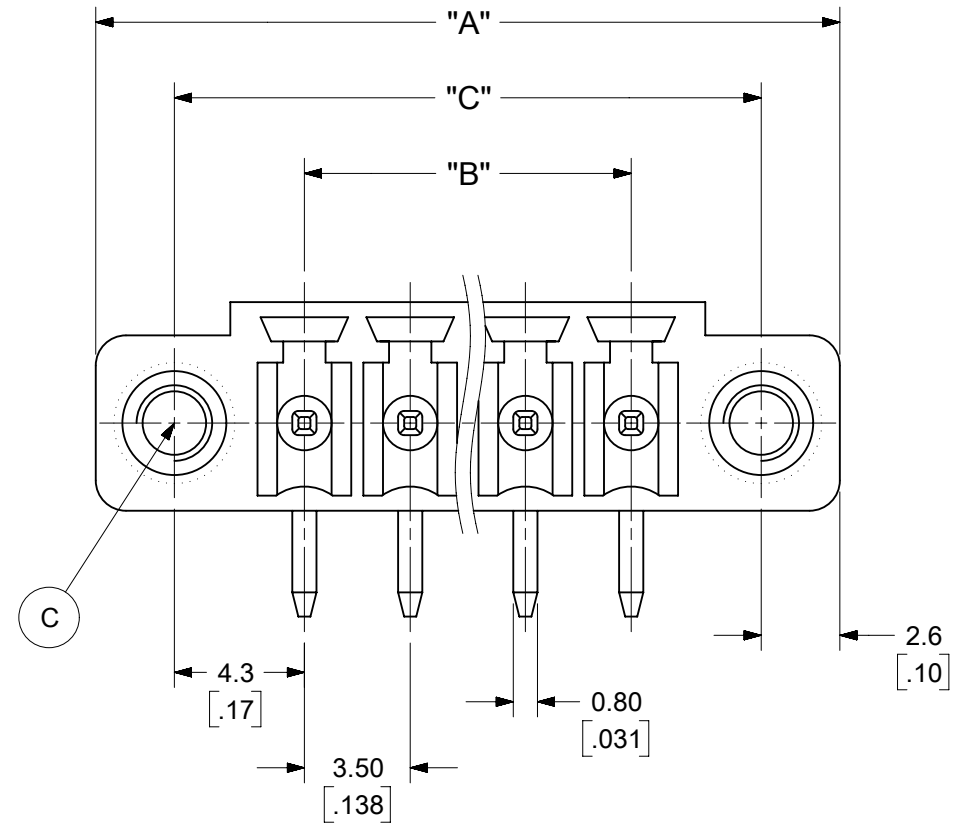
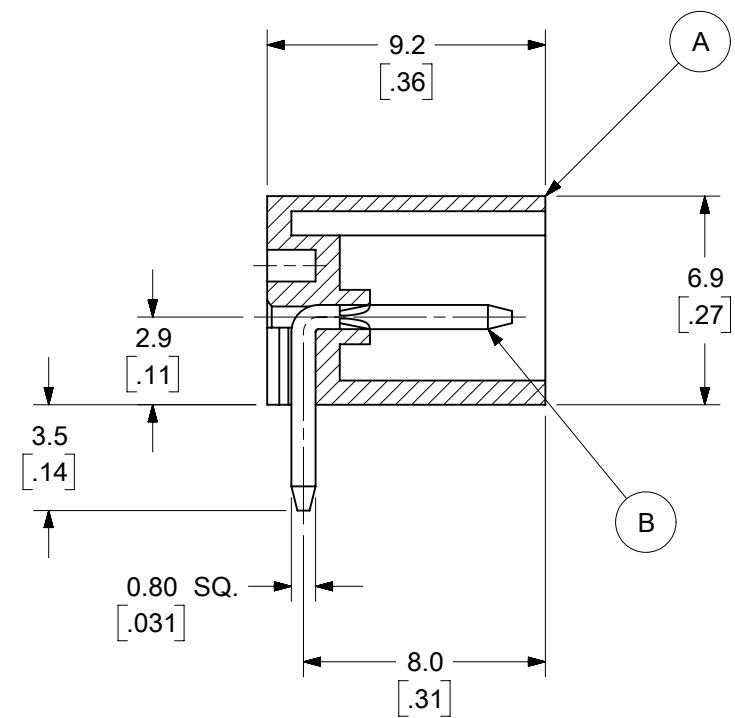
B

A



C
SEE NOTES 3 & 4

M2.5 THREAD



PCB LAYOUT

SPECIFICATIONS:

1. MATERIAL:
 - (A). BODY: PA66, UL 94V-0
 - (B). TERMINAL: BRASS - TIN PLATED
 - (C). THREADED INSERT: BRASS
2. ELECTRICAL RATING: 300V, 8A
3. MAX TORQUE: 1.59 in.lbs. (0.18NM)
4. MINIMUM INSERT RETENTION: 22 lbf (98N)
5. OPERATING TEMPERATURE: -40°C to +105°C
6. MAX. SOLDERING TEMP: 260°C (500°F) FOR 5 SECONDS
7. DIM A (OVERALL LENGTH)= (N x P) + 10.3mm
8. DIM B (CIRCUIT LENGTH)= (N - 1) x P
9. DIM C (MOUNTING HOLES)= (B + 8.6mm)
10. P (PITCH) = 3.50mm (.138")
11. N = NUMBER OF POSITIONS AVAILABLE 2 THROUGH 20
12. PRODUCT SPEC: PS-39500-001
13. SEE DRAWING SD-39501-002 FOR PTH INFO
14. DIMS. SHOWN ARE FOR REFERENCE ONLY.

| TOLERANCES | | | |
|------------|-------|-----------|-------|
| MM | TOL | INCH | TOL |
| 0-6 | ±0.25 | 0-.24 | ±.010 |
| >6-30 | ±0.40 | .24-1.18 | ±.016 |
| >30-120 | ±0.50 | 1.18-4.76 | ±.020 |
| >120 | ±0.80 | >4.76 | ±.031 |

| | | | |
|--|---|--|---|
| SYMBOLS DIMENSION UNITS SCALE CURRENT REV DESC: MIGRATION TO ECTR/NX EC NO: 619929 DRWN: ABENJAMINLW 2019/06/12 CHK'D: DACHAMMER 2019/07/01 APPR: JFMURPHY 2019/07/08 INITIAL REVISION: DRWN: LROTHAUS 2006/01/09 APPR: JPAWLICK 2006/01/10 | THIS DRAWING CONTAINS INFORMATION THAT IS PROPRIETARY TO MOLEX ELECTRONIC TECHNOLOGIES, LLC AND SHOULD NOT BE USED WITHOUT WRITTEN PERMISSION | | |
| | molex 3.5MM, EURO HEADER RIGHT ANGLE, MOUNTING ENDS PRODUCT CUSTOMER DRAWING | | |
| DIMENSION UNITS: MM/INCH SCALE: 4:1 GENERAL TOLERANCES (UNLESS SPECIFIED): 4 PLACES ± 3 PLACES ± 2 PLACES ± 1 PLACE ± 0 PLACES ± ANGULAR TOL ± ° DRAFT WHERE APPLICABLE MUST REMAIN WITHIN DIMENSIONS | MM INCH SEE CHART SEE CHART SEE CHART SEE CHART ° | INCH SEE CHART SEE CHART SEE CHART SEE CHART ° | DOCUMENT NUMBER: SD-39506-001 DOC TYPE: PSD DOC PART: 001 REVISION: B2 MATERIAL NUMBER: SEE SHEET-2 CUSTOMER: GENERAL MARKET SHEET NUMBER: 1 OF 2 |
| DIMENSION UNITS: MM/INCH SCALE: 4:1 CURRENT REV DESC: MIGRATION TO ECTR/NX EC NO: 619929 DRWN: ABENJAMINLW 2019/06/12 CHK'D: DACHAMMER 2019/07/01 APPR: JFMURPHY 2019/07/08 INITIAL REVISION: DRWN: LROTHAUS 2006/01/09 APPR: JPAWLICK 2006/01/10 | THIRD ANGLE PROJECTION DRAWING: B-SIZE SERIES: 39506 | MATERIAL NUMBER: SEE SHEET-2 CUSTOMER: GENERAL MARKET SHEET NUMBER: 1 OF 2 | DOCUMENT NUMBER: SD-39506-001 DOC TYPE: PSD DOC PART: 001 REVISION: B2 |

| DESCRIPTION | CIRCUIT SIZE | MATERIAL NUMBERS | | | | | | | | | | | | DIMENSIONAL INFORMATION | | | | | |
|--|--------------|------------------|-----------|-----------|------------------|-----------|-----------|------------------|-----------|-----------|------------------|-----------|-----------|-------------------------|-------|----------|-------|----------|-------|
| | | BLACK | | | | | | GREEN | | | | | | | | | | | |
| | | 100% TIN | | | 30 u" GOLD | | | 100% TIN | | | 30 u" GOLD | | | DIM. "A" | | DIM. "B" | | DIM. "C" | |
| | | PRINTING OPTIONS | | | PRINTING OPTIONS | | | PRINTING OPTIONS | | | PRINTING OPTIONS | | | mm | inch | mm | inch | mm | inch |
| | | None | 10AV | 11AV | None | 10AV | 11AV | None | 10AV | 11AV | None | 10AV | 11AV | | | | | | |
| 3.5MM, EURO HEADER, RIGHT ANGLE, MOUNTING ENDS | 2 | 395061002 | 395061102 | 395061202 | 395061502 | 395061602 | 395061702 | 395066002 | 395066102 | 395066202 | 395066502 | 395066602 | 395066702 | 17.30 | .681 | 3.50 | .138 | 12.10 | .476 |
| 3.5MM, EURO HEADER, RIGHT ANGLE, MOUNTING ENDS | 3 | 395061003 | 395061103 | 395061203 | 395061503 | 395061603 | 395061703 | 395066003 | 395066103 | 395066203 | 395066503 | 395066603 | 395066703 | 20.80 | .819 | 7.00 | .276 | 15.60 | .614 |
| 3.5MM, EURO HEADER, RIGHT ANGLE, MOUNTING ENDS | 4 | 395061004 | 395061104 | 395061204 | 395061504 | 395061604 | 395061704 | 395066004 | 395066104 | 395066204 | 395066504 | 395066604 | 395066704 | 24.30 | .957 | 10.50 | .413 | 19.10 | .752 |
| 3.5MM, EURO HEADER, RIGHT ANGLE, MOUNTING ENDS | 5 | 395061005 | 395061105 | 395061205 | 395061505 | 395061605 | 395061705 | 395066005 | 395066105 | 395066205 | 395066505 | 395066605 | 395066705 | 27.80 | 1.094 | 14.00 | .551 | 22.60 | .890 |
| 3.5MM, EURO HEADER, RIGHT ANGLE, MOUNTING ENDS | 6 | 395061006 | 395061106 | 395061206 | 395061506 | 395061606 | 395061706 | 395066006 | 395066106 | 395066206 | 395066506 | 395066606 | 395066706 | 31.30 | 1.232 | 17.50 | .689 | 26.10 | 1.028 |
| 3.5MM, EURO HEADER, RIGHT ANGLE, MOUNTING ENDS | 7 | 395061007 | 395061107 | 395061207 | 395061507 | 395061607 | 395061707 | 395066007 | 395066107 | 395066207 | 395066507 | 395066607 | 395066707 | 34.80 | 1.370 | 21.00 | .827 | 29.60 | 1.165 |
| 3.5MM, EURO HEADER, RIGHT ANGLE, MOUNTING ENDS | 8 | 395061008 | 395061108 | 395061208 | 395061508 | 395061608 | 395061708 | 395066008 | 395066108 | 395066208 | 395066508 | 395066608 | 395066708 | 38.30 | 1.508 | 24.50 | .965 | 33.10 | 1.303 |
| 3.5MM, EURO HEADER, RIGHT ANGLE, MOUNTING ENDS | 9 | 395061009 | 395061109 | 395061209 | 395061509 | 395061609 | 395061709 | 395066009 | 395066109 | 395066209 | 395066509 | 395066609 | 395066709 | 41.80 | 1.646 | 28.00 | 1.102 | 36.60 | 1.441 |
| 3.5MM, EURO HEADER, RIGHT ANGLE, MOUNTING ENDS | 10 | 395061010 | 395061110 | 395061210 | 395061510 | 395061610 | 395061710 | 395066010 | 395066110 | 395066210 | 395066510 | 395066610 | 395066710 | 45.30 | 1.783 | 31.50 | 1.240 | 40.10 | 1.579 |
| 3.5MM, EURO HEADER, RIGHT ANGLE, MOUNTING ENDS | 11 | 395061011 | 395061111 | 395061211 | 395061511 | 395061611 | 395061711 | 395066011 | 395066111 | 395066211 | 395066511 | 395066611 | 395066711 | 48.80 | 1.921 | 35.00 | 1.378 | 43.60 | 1.717 |
| 3.5MM, EURO HEADER, RIGHT ANGLE, MOUNTING ENDS | 12 | 395061012 | 395061112 | 395061212 | 395061512 | 395061612 | 395061712 | 395066012 | 395066112 | 395066212 | 395066512 | 395066612 | 395066712 | 52.30 | 2.059 | 38.50 | 1.516 | 47.10 | 1.854 |
| 3.5MM, EURO HEADER, RIGHT ANGLE, MOUNTING ENDS | 13 | 395061013 | 395061113 | 395061213 | 395061513 | 395061613 | 395061713 | 395066013 | 395066113 | 395066213 | 395066513 | 395066613 | 395066713 | 55.80 | 2.197 | 42.00 | 1.654 | 50.60 | 1.992 |
| 3.5MM, EURO HEADER, RIGHT ANGLE, MOUNTING ENDS | 14 | 395061014 | 395061114 | 395061214 | 395061514 | 395061614 | 395061714 | 395066014 | 395066114 | 395066214 | 395066514 | 395066614 | 395066714 | 59.30 | 2.335 | 45.50 | 1.791 | 54.10 | 2.130 |
| 3.5MM, EURO HEADER, RIGHT ANGLE, MOUNTING ENDS | 15 | 395061015 | 395061115 | 395061215 | 395061515 | 395061615 | 395061715 | 395066015 | 395066115 | 395066215 | 395066515 | 395066615 | 395066715 | 62.80 | 2.472 | 49.00 | 1.929 | 57.60 | 2.268 |
| 3.5MM, EURO HEADER, RIGHT ANGLE, MOUNTING ENDS | 16 | 395061016 | 395061116 | 395061216 | 395061516 | 395061616 | 395061716 | 395066016 | 395066116 | 395066216 | 395066516 | 395066616 | 395066716 | 66.30 | 2.610 | 52.50 | 2.067 | 61.10 | 2.406 |
| 3.5MM, EURO HEADER, RIGHT ANGLE, MOUNTING ENDS | 17 | 395061017 | 395061117 | 395061217 | 395061517 | 395061617 | 395061717 | 395066017 | 395066117 | 395066217 | 395066517 | 395066617 | 395066717 | 69.80 | 2.748 | 56.00 | 2.205 | 64.60 | 2.543 |
| 3.5MM, EURO HEADER, RIGHT ANGLE, MOUNTING ENDS | 18 | 395061018 | 395061118 | 395061218 | 395061518 | 395061618 | 395061718 | 395066018 | 395066118 | 395066218 | 395066518 | 395066618 | 395066718 | 73.30 | 2.886 | 59.50 | 2.343 | 68.10 | 2.681 |
| 3.5MM, EURO HEADER, RIGHT ANGLE, MOUNTING ENDS | 19 | 395061019 | 395061119 | 395061219 | 395061519 | 395061619 | 395061719 | 395066019 | 395066119 | 395066219 | 395066519 | 395066619 | 395066719 | 76.80 | 3.024 | 63.00 | 2.480 | 71.60 | 2.819 |
| 3.5MM, EURO HEADER, RIGHT ANGLE, MOUNTING ENDS | 20 | 395061020 | 395061120 | 395061220 | 395061520 | 395061620 | 395061720 | 395066020 | 395066120 | 395066220 | 395066520 | 395066620 | 395066720 | 80.30 | 3.161 | 66.50 | 2.618 | 75.10 | 2.957 |

| TOLERANCES | | | |
|------------|-------|-----------|-------|
| MM | TOL | INCH | TOL |
| 0-6 | ±0.25 | 0-.24 | ±.010 |
| >6-30 | ±0.40 | .24-1.18 | ±.016 |
| >30-120 | ±0.50 | 1.18-4.76 | ±.020 |
| >120 | ±0.80 | >4.76 | ±.031 |

| | | | |
|-------------------|--|---|--|
| SYMBOLS | | THIS DRAWING CONTAINS INFORMATION THAT IS PROPRIETARY TO MOLEX ELECTRONIC TECHNOLOGIES, LLC AND SHOULD NOT BE USED WITHOUT WRITTEN PERMISSION | |
| ▽ = 0 | DIMENSION UNITS | SCALE | CURRENT REV DESC: MIGRATION TO ECTR/NX |
| ▽ = 0 | MM/INCH | 2:1 | |
| ▽ = 0 | GENERAL TOLERANCES (UNLESS SPECIFIED) | | |
| ▽ = 0 | 4 PLACES ± | MM | INCH |
| ▽ = 0 | 3 PLACES ± | SEE CHART | SEE CHART |
| ▽ = 0 | 2 PLACES ± | SEE CHART | SEE CHART |
| ▽ = 0 | 1 PLACE ± | SEE CHART | SEE CHART |
| ▽ = 0 | 0 PLACES ± | SEE CHART | SEE CHART |
| ⊠ = 0 | ANGULAR TOL ± ° | | |
| ■ = 0 | DRAFT WHERE APPLICABLE MUST REMAIN WITHIN DIMENSIONS | | |
| ▽ = 0 | THIRD ANGLE PROJECTION | DRAWING | SERIES |
| | | B-SIZE | 39506 |
| EC NO: 619929 | | DRWN: ABENJAMINLW | 2019/06/12 |
| DRWN: DACHAMMER | | CHK'D: JFMURPHY | 2019/07/01 |
| APP: JFMURPHY | | 2019/07/08 | |
| INITIAL REVISION: | | DRWN: LROTHAUS | 2006/01/09 |
| | | APP: JPAWLICK | 2006/01/10 |
| DOCUMENT NUMBER | | DOC TYPE | DOC PART |
| SD-39506-001 | | PSD | 001 |
| REVISION | | B2 | |
| MATERIAL NUMBER | | CUSTOMER | SHEET NUMBER |
| SEE TABLE | | GENERAL MARKET | 2 OF 2 |