

CKTS	A	B	C
02	.262 6.65	NA	.441 11.20
04	.380 9.65	.118 3.00	.559 14.20
06	.498 12.65	.236 6.00	.677 17.20
08	.616 15.65	.354 9.00	.795 20.20
10	.734 18.65	.472 12.00	.913 23.20
12	.852 21.65	.591 15.00	1.031 26.20
14	.970 24.65	.709 18.00	1.150 29.20
16	1.088 27.65	.827 21.00	1.268 32.20
18	1.206 30.65	.945 24.00	1.386 35.20
20	1.325 33.65	1.063 27.00	1.504 38.20
22	1.443 36.65	1.181 30.00	1.622 41.20
24	1.561 39.65	1.299 33.00	1.740 44.20

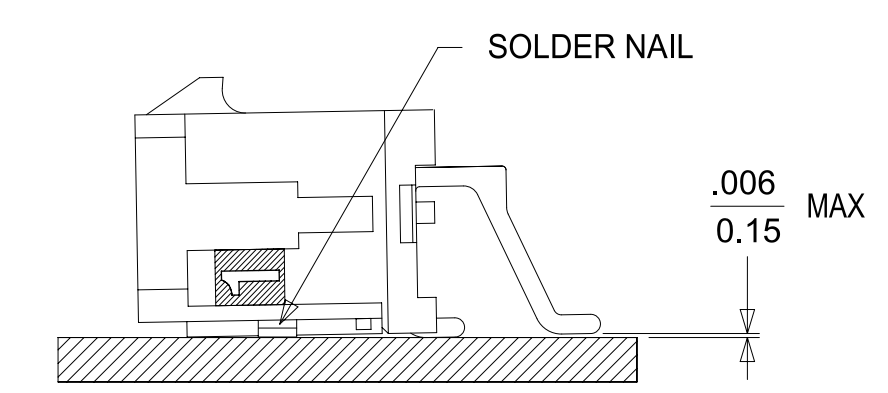
- NOTES:**
- HOUSING MATERIAL: GLASS FILLED LIQUID CRYSTAL POLYMER, UL94V-0, COLOR: BLACK
TERMINAL MATERIAL: BRASS ALLOY
 - FINISH: A = .000060/(0.00152) MIN. REFLOWED MATTE TIN OVER .000050/(0.00127) MIN. NICKEL PLATE. (FINISH IS BRIGHT IN APPEARANCE, THICKNESS AS APPLIED PRIOR TO REFLOW).
B = .000015/(0.00038) MIN. SELECT GOLD IN CONTACT AREA; .000100/(0.00254) MIN. SELECT MATTE TIN ON SOLDER TAILS; BOTH OVER .000050/(0.00127) MIN. NICKEL PLATE.
C = .000030/(0.00076) MIN. SELECT GOLD IN CONTACT AREA; .000100/(0.00254) MIN. SELECT MATTE TIN ON SOLDER TAILS; BOTH OVER .000050/(0.00127) MIN. NICKEL PLATE.
 - PRODUCT SPECIFICATION: PS-43045
 - TAPE AND REEL PACK : SEE MOLEX DRAWING 430450010-PK NON-STANDARD TAPE (SHALLOW POCKET WITH LEADER ON COVER TAPE). NOT ALL CIRCUIT SIZES AVAILABLE, SEE DRAWING SD-43045-004 FOR STANDARD TAPE & REEL PACKAGING.
 - MATES WITH MICRO FIT (3.0) RECEPTACLE SERIES 43025
 - THE COPLANARITY DIMENSION IS ESTABLISHED BY PLACING THE ASSEMBLY ON A FLAT SURFACE. THE DISTANCE FROM THAT SURFACE TO THE BOTTOM OF ANY TERMINAL OR SOLDER NAIL MUST NOT EXCEED .006/0.15
 - CIRCUIT SIZES 2-6: "D" IS .265/6.74 FOR .010/0.25 STEP
CIRCUIT SIZES 8-24: "D" IS .063/1.60 FOR .010/0.25 STEP.
 - TO AVOID INTERFERENCE BETWEEN RECEPTACLE AND PCB, HEADER MUST BE PLACED WITHIN .400/(10.16) MAX. FROM EDGE OF PCB, AS SHOWN IN LOCATION DETAIL.
 - METAL TAB MAY BE FLUSH WITH PCB. NO EXPOSED TRACES OR VIAS ALLOWED NEAR THESE AREAS.
 - THIS PART CONFORMS TO CLASS B REQUIREMENTS OF COSMETIC SPECIFICATION PS-45499-002.
 - TEXT ON PART IS FOR REFERENCE ONLY. TEXT AND TEXT LOCATION MAY VARY DEPENDING ON PART NUMBER AND/OR TOOL.

CIRCUIT "1" IDENTIFIED ON THIS SURFACE (APPROX. LOCATION SHOWN FOR REF.)

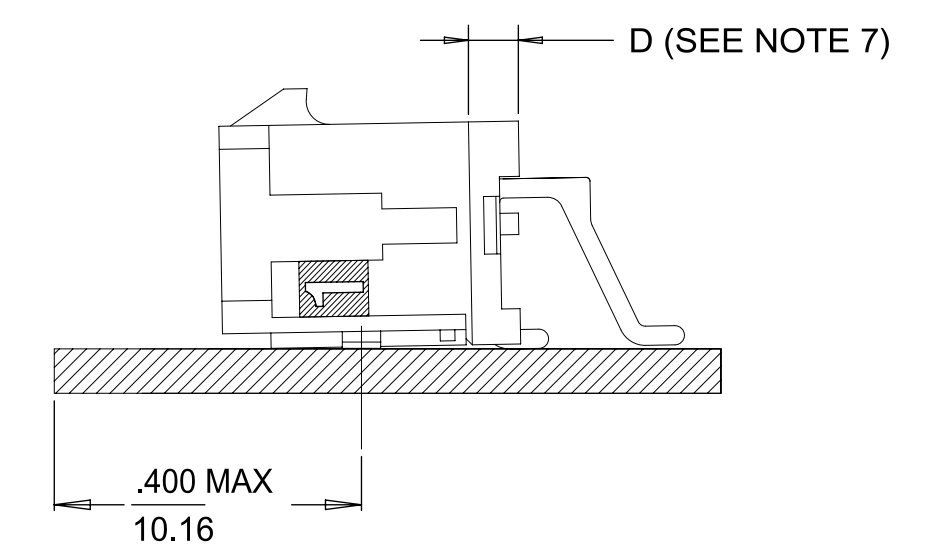
NOTE 9

"X" - DENOTES NOT AVAILABLE, CONSULT FACTORY SEE NOTE #4

CKTS	FINISH		
	FINISH A	FINISH B	FINISH C
	MATERIAL NO:	MATERIAL NO:	MATERIAL NO:
02	X 43045-0238	X 43045-0244	X 43045-0245
04	43045-0438	43045-0444	43045-0445
06	43045-0638	43045-0644	43045-0645
08	X 43045-0838	X 43045-0844	X 43045-0845
10	X 43045-1038	X 43045-1044	X 43045-1045
12	43045-1238	43045-1244	43045-1245
14	43045-1438	43045-1444	43045-1445
16	43045-1638	43045-1644	43045-1645
18	X 43045-1838	X 43045-1844	X 43045-1845
20	X 43045-2038	X 43045-2044	X 43045-2045
22	X 43045-2238	X 43045-2244	X 43045-2245
24	X 43045-2438	X 43045-2444	X 43045-2445



COPLANARITY DETAIL
SEE NOTE #6



LOCATION DETAIL
(SEE NOTE #8)

THIS DRAWING CONTAINS INFORMATION THAT IS PROPRIETARY TO MOLEX ELECTRONIC TECHNOLOGIES, LLC AND SHOULD NOT BE USED WITHOUT WRITTEN PERMISSION

SYMBOLS	DIMENSION UNITS	SCALE	CURRENT REV/DESC: MICROFIT PK SPEC REF
	IN/MM	NTS	
▽ = 0	GENERAL TOLERANCES (UNLESS SPECIFIED)		EC NO: 611607
	MM	INCH	
▽ = 0	4 PLACES ±	±	DRWN: SALHAMY 2019/01/03
▽ = 0	3 PLACES ±	± 0.01	CHK'D: SSOUSEK 2019/08/09
▽ = 0	2 PLACES ±	± 0.014	APPR: FSMITH 2019/08/15
▽ = 0	1 PLACE ±	± 0.36	INITIAL REVISION:
▽ = 0	0 PLACES ±	±	DRWN: CSLAFTER 2016/01/15
▽ = 0	ANGULAR TOL	± 0.5°	APPR: FSMITH 2016/01/15
▽ = 0	DRAFT WHERE APPLICABLE MUST REMAIN WITHIN DIMENSIONS	THIRD ANGLE PROJECTION	DRAWING SERIES
▽ = 0			C-SIZE 43045

MICRO FIT (3.0) RIGHT ANGLE SMT, SHALLOW CARRIER TAPE WITH EXTENDED COVER TAPE, DUAL ROW HEADER WITH NAILS

PRODUCT CUSTOMER DRAWING

DOCUMENT NUMBER: SD-43045-013 | DOC TYPE: PSD | DOC PART: 000 | REVISION: H4

MATERIAL NUMBER: SEE CHART | CUSTOMER: GENERAL MARKET | SHEET NUMBER: 1 OF 1