

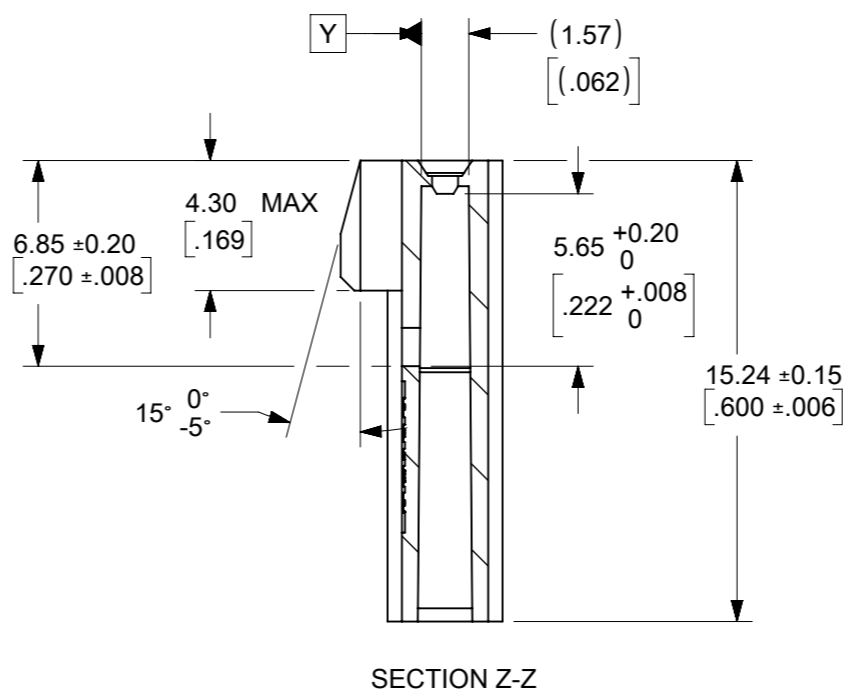
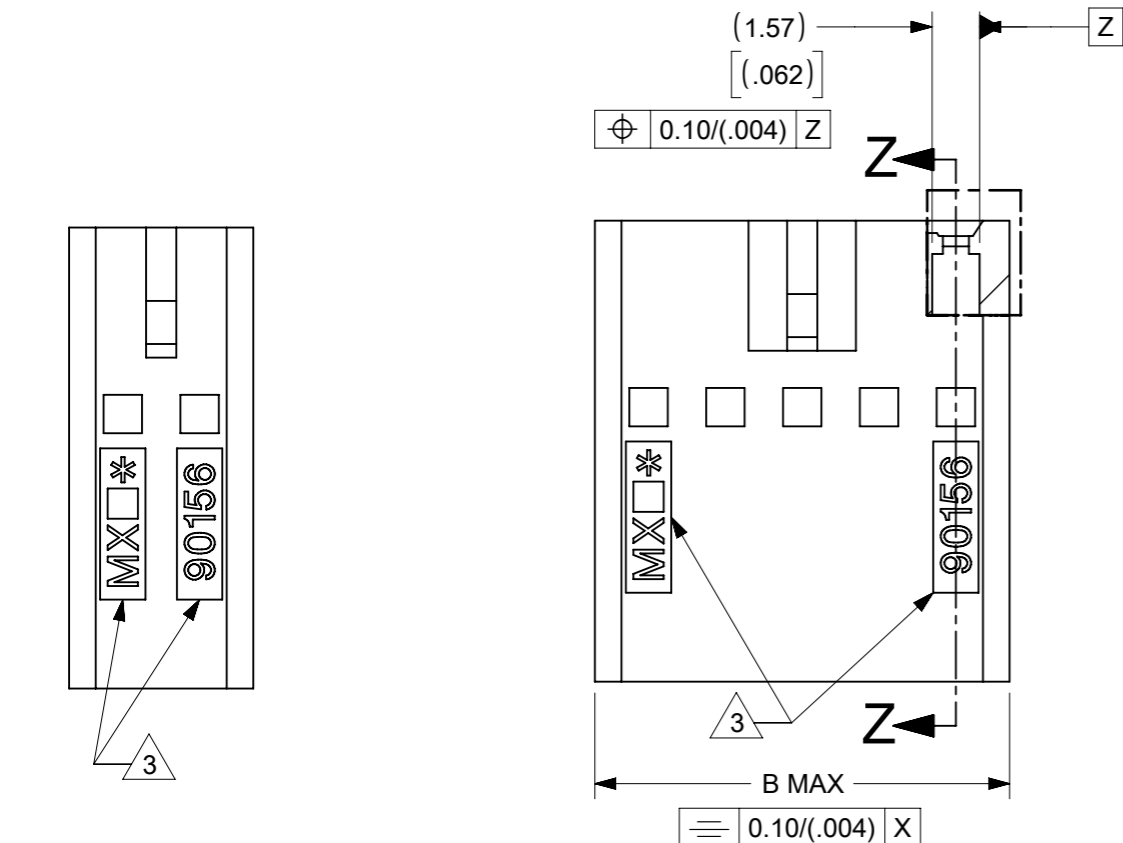
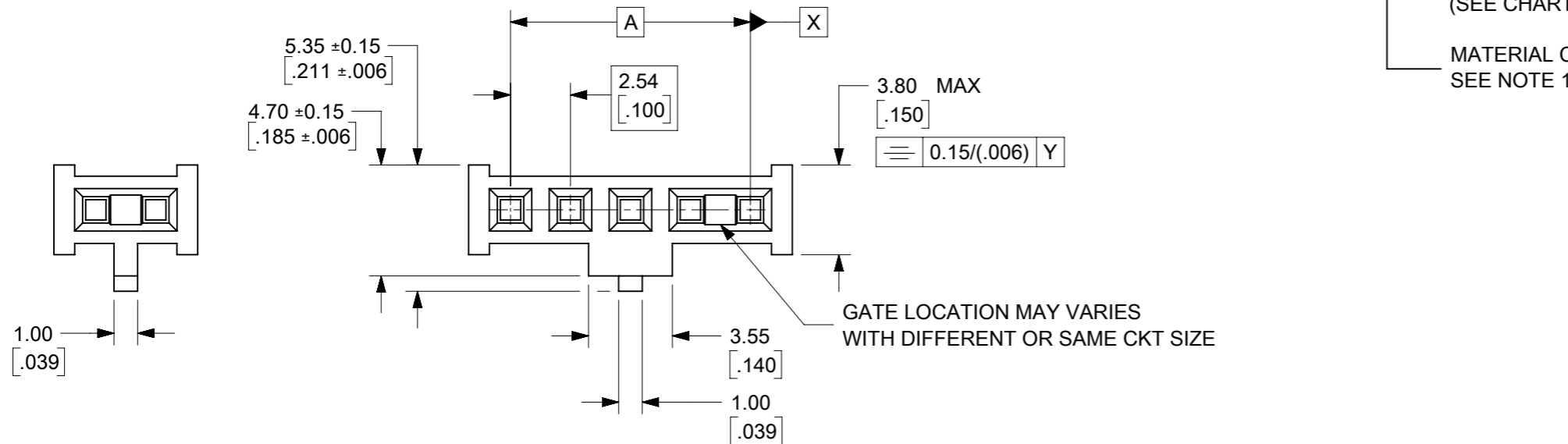
2 & 3
CIRCUITS

4 TO 32
CIRCUITS

PART NUMBER:
90156-XXXX

CIRCUIT SIZE
REF.NO
(SEE CHART)

MATERIAL CODE:
SEE NOTE 1



| No. OF CKTS | PART NUMBER | DIM A | DIM B |
|-------------|-------------|---------------|---------------|
| 2 | 90156-XX42 | 2.54/(.100) | 6.14/(.242) |
| 3 | ▲ -XX43 | 5.08/(.200) | 8.68/(.342) |
| 4 | -XX44 | 7.62/(.300) | 11.22/(.442) |
| 5 | -XX45 | 10.16/(.400) | 13.76/(.542) |
| 6 | -XX46 | 12.70/(.500) | 16.30/(.642) |
| 7 | -XX47 | 15.24/(.600) | 18.84/(.742) |
| 8 | -XX48 | 17.78/(.700) | 21.38/(.842) |
| 9 | -XX49 | 20.32/(.800) | 23.92/(.942) |
| 10 | -XX50 | 22.86/(.900) | 26.46/(1.042) |
| 11 | | | |
| 12 | -XX52 | 27.94/(1.100) | 31.54/(1.242) |
| 13 | -XX53 | 30.48/(1.200) | 34.08/(1.342) |
| 14 | -XX54 | 33.02/(1.300) | 36.62/(1.442) |
| 15 | -XX55 | 35.56/(1.400) | 39.16/(1.542) |
| 16 | -XX56 | 38.10/(1.500) | 41.70/(1.642) |
| 17 | | | |
| 18 | -XX58 | 43.18/(1.700) | 46.78/(1.842) |
| 19 | | | |
| 20 | -XX60 | 48.26/(1.900) | 51.86/(2.042) |
| 21 | | | |
| 22 | -XX62 | 53.34/(2.100) | 56.94/(2.242) |
| 23 | | | |
| 24 | | | |
| 25 | -XX65 | 60.96/(2.400) | 64.56/(2.542) |
| 26 | | | |
| 27 | | | |
| 28 | | | |
| 29 | | | |
| 30 | -XX70 | 73.66/(2.900) | 77.26/(3.042) |
| 31 | | | |
| 32 | 90156-XX72 | 78.74/(3.100) | 82.34/(3.242) |

NOTES:

- MATERIAL CODE XX: 90156 - XX ** :
01 - POLYPHENYLENE OXIDE (PPO) UL94 V-1 COLOR: BLACK
10 - GLOW WIRE OPTION POLYESTER (PBT) UL94 V-2 COLOR: NATURAL
- PRODUCT SPECIFICATION: PS-99020-0001
- MOLEX LOGO, SERIES NUMBER AND CAVITY ID TO BE PLACED ON THIS FACE.

| FUNCTIONAL SYMBOLS | THIS DRAWING CONTAINS INFORMATION THAT IS PROPRIETARY TO MOLEX ELECTRONIC TECHNOLOGIES, LLC AND SHOULD NOT BE USED WITHOUT WRITTEN PERMISSION | CURRENT REV DESC: | | molex | | | | | | | | | | | | | | | | | | | | | | | | | | | | | | | | | | | | | | | | | | | | | | | | |
|---------------------------------------|---|-------------------|-------|--------------|-------|---|--|--|---------------------------------------|------------|-------------|------------|---|-----------------|----------|----------|---|-----------|---|----------------|----------|--|--------------|---------|--------|---|----------|---|---|---|---------------|------------|--------------|------------|---------------|------------|--------------------|------------|--|--------------------------|--|--|-----------------|----------|----------|-----------|-----|-----|----------|--|--|----|
| | <table border="1"> <tr><th>DIMENSION UNITS</th><th>SCALE</th></tr> <tr><td>MM/IN</td><td>NTS</td></tr> </table> | DIMENSION UNITS | SCALE | | MM/IN | NTS | <table border="1"> <tr><th colspan="3">GENERAL TOLERANCES (UNLESS SPECIFIED)</th></tr> <tr><th></th><th>MM</th><th>INCH</th></tr> <tr><td>4 PLACES</td><td>±</td><td>±</td></tr> <tr><td>3 PLACES</td><td>±</td><td>± 0.004</td></tr> <tr><td>2 PLACES</td><td>± 0.2</td><td>±</td></tr> <tr><td>1 PLACE</td><td>±</td><td>±</td></tr> <tr><td>0 PLACES</td><td>±</td><td>±</td></tr> </table> | | GENERAL TOLERANCES (UNLESS SPECIFIED) | | | | MM | INCH | 4 PLACES | ± | ± | 3 PLACES | ± | ± 0.004 | 2 PLACES | ± 0.2 | ± | 1 PLACE | ± | ± | 0 PLACES | ± | ± | <table border="1"> <tr><td>EC NO: 742393</td><td>2023/03/13</td></tr> <tr><td>DRWN: SUAIFR</td><td>2023/03/15</td></tr> <tr><td>CHK'D: SUAIFR</td><td>2023/03/15</td></tr> <tr><td>APPR: MRAMAKRISHNA</td><td>2023/03/15</td></tr> </table> | EC NO: 742393 | 2023/03/13 | DRWN: SUAIFR | 2023/03/15 | CHK'D: SUAIFR | 2023/03/15 | APPR: MRAMAKRISHNA | 2023/03/15 | <table border="1"> <tr><th colspan="3">PRODUCT CUSTOMER DRAWING</th></tr> <tr><td>DOCUMENT NUMBER</td><td>DOC TYPE</td><td>DOC PART</td></tr> <tr><td>SDA-90156</td><td>PSD</td><td>001</td></tr> <tr><td>REVISION</td><td></td><td></td></tr> <tr><td>R2</td><td></td><td></td></tr> </table> | PRODUCT CUSTOMER DRAWING | | | DOCUMENT NUMBER | DOC TYPE | DOC PART | SDA-90156 | PSD | 001 | REVISION | | | R2 |
| DIMENSION UNITS | SCALE | | | | | | | | | | | | | | | | | | | | | | | | | | | | | | | | | | | | | | | | | | | | | | | | | | | |
| MM/IN | NTS | | | | | | | | | | | | | | | | | | | | | | | | | | | | | | | | | | | | | | | | | | | | | | | | | | | |
| GENERAL TOLERANCES (UNLESS SPECIFIED) | | | | | | | | | | | | | | | | | | | | | | | | | | | | | | | | | | | | | | | | | | | | | | | | | | | | |
| | MM | INCH | | | | | | | | | | | | | | | | | | | | | | | | | | | | | | | | | | | | | | | | | | | | | | | | | | |
| 4 PLACES | ± | ± | | | | | | | | | | | | | | | | | | | | | | | | | | | | | | | | | | | | | | | | | | | | | | | | | | |
| 3 PLACES | ± | ± 0.004 | | | | | | | | | | | | | | | | | | | | | | | | | | | | | | | | | | | | | | | | | | | | | | | | | | |
| 2 PLACES | ± 0.2 | ± | | | | | | | | | | | | | | | | | | | | | | | | | | | | | | | | | | | | | | | | | | | | | | | | | | |
| 1 PLACE | ± | ± | | | | | | | | | | | | | | | | | | | | | | | | | | | | | | | | | | | | | | | | | | | | | | | | | | |
| 0 PLACES | ± | ± | | | | | | | | | | | | | | | | | | | | | | | | | | | | | | | | | | | | | | | | | | | | | | | | | | |
| EC NO: 742393 | 2023/03/13 | | | | | | | | | | | | | | | | | | | | | | | | | | | | | | | | | | | | | | | | | | | | | | | | | | | |
| DRWN: SUAIFR | 2023/03/15 | | | | | | | | | | | | | | | | | | | | | | | | | | | | | | | | | | | | | | | | | | | | | | | | | | | |
| CHK'D: SUAIFR | 2023/03/15 | | | | | | | | | | | | | | | | | | | | | | | | | | | | | | | | | | | | | | | | | | | | | | | | | | | |
| APPR: MRAMAKRISHNA | 2023/03/15 | | | | | | | | | | | | | | | | | | | | | | | | | | | | | | | | | | | | | | | | | | | | | | | | | | | |
| PRODUCT CUSTOMER DRAWING | | | | | | | | | | | | | | | | | | | | | | | | | | | | | | | | | | | | | | | | | | | | | | | | | | | | |
| DOCUMENT NUMBER | DOC TYPE | DOC PART | | | | | | | | | | | | | | | | | | | | | | | | | | | | | | | | | | | | | | | | | | | | | | | | | | |
| SDA-90156 | PSD | 001 | | | | | | | | | | | | | | | | | | | | | | | | | | | | | | | | | | | | | | | | | | | | | | | | | | |
| REVISION | | | | | | | | | | | | | | | | | | | | | | | | | | | | | | | | | | | | | | | | | | | | | | | | | | | | |
| R2 | | | | | | | | | | | | | | | | | | | | | | | | | | | | | | | | | | | | | | | | | | | | | | | | | | | | |
| DIVISIONAL SYMBOLS | <table border="1"> <tr><th colspan="2">ANGULAR TOL</th></tr> <tr><td>± 2.0°</td><td></td></tr> </table> | ANGULAR TOL | | ± 2.0° | | <table border="1"> <tr><td>INITIAL REVISION:</td><td></td></tr> <tr><td>DRWN: GMCSWEEN</td><td>2004/05/07</td></tr> <tr><td>APPR: KHLIM</td><td>2015/11/05</td></tr> </table> | INITIAL REVISION: | | DRWN: GMCSWEEN | 2004/05/07 | APPR: KHLIM | 2015/11/05 | <table border="1"> <tr><th colspan="2">MATERIAL NUMBER</th><th colspan="2">CUSTOMER</th></tr> <tr><td>SEE TABLE</td><td></td><td>GENERAL MARKET</td><td></td></tr> </table> | MATERIAL NUMBER | | CUSTOMER | | SEE TABLE | | GENERAL MARKET | | <table border="1"> <tr><th colspan="2">SHEET NUMBER</th></tr> <tr><td>1 OF 1</td><td></td></tr> </table> | SHEET NUMBER | | 1 OF 1 | | | | | | | | | | | | | | | | | | | | | | | | | | | |
| ANGULAR TOL | | | | | | | | | | | | | | | | | | | | | | | | | | | | | | | | | | | | | | | | | | | | | | | | | | | | |
| ± 2.0° | | | | | | | | | | | | | | | | | | | | | | | | | | | | | | | | | | | | | | | | | | | | | | | | | | | | |
| INITIAL REVISION: | | | | | | | | | | | | | | | | | | | | | | | | | | | | | | | | | | | | | | | | | | | | | | | | | | | | |
| DRWN: GMCSWEEN | 2004/05/07 | | | | | | | | | | | | | | | | | | | | | | | | | | | | | | | | | | | | | | | | | | | | | | | | | | | |
| APPR: KHLIM | 2015/11/05 | | | | | | | | | | | | | | | | | | | | | | | | | | | | | | | | | | | | | | | | | | | | | | | | | | | |
| MATERIAL NUMBER | | CUSTOMER | | | | | | | | | | | | | | | | | | | | | | | | | | | | | | | | | | | | | | | | | | | | | | | | | | |
| SEE TABLE | | GENERAL MARKET | | | | | | | | | | | | | | | | | | | | | | | | | | | | | | | | | | | | | | | | | | | | | | | | | | |
| SHEET NUMBER | | | | | | | | | | | | | | | | | | | | | | | | | | | | | | | | | | | | | | | | | | | | | | | | | | | | |
| 1 OF 1 | | | | | | | | | | | | | | | | | | | | | | | | | | | | | | | | | | | | | | | | | | | | | | | | | | | | |