

PART NO MATRIX

8 8 3 0 P 8 I 2 0 M X X X X H

88 = M12 - M12

POLES:
3 = 3 POLES

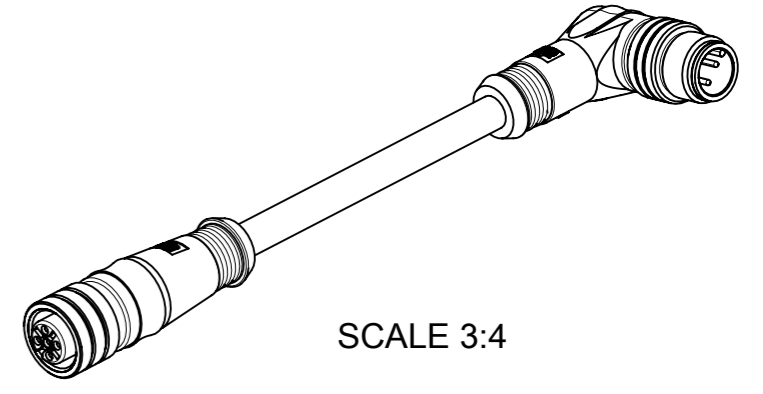
HEADER:
0P8 = PNP STRAIGHT
FEMALE TO
MALE/MALE 90°

CABLE:
I20 = 0.34mm², PVC GRAY

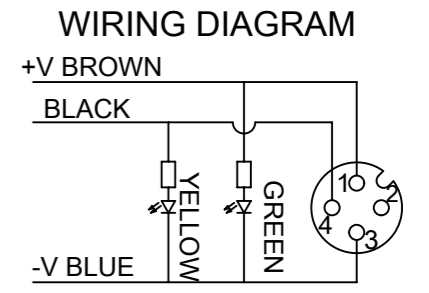
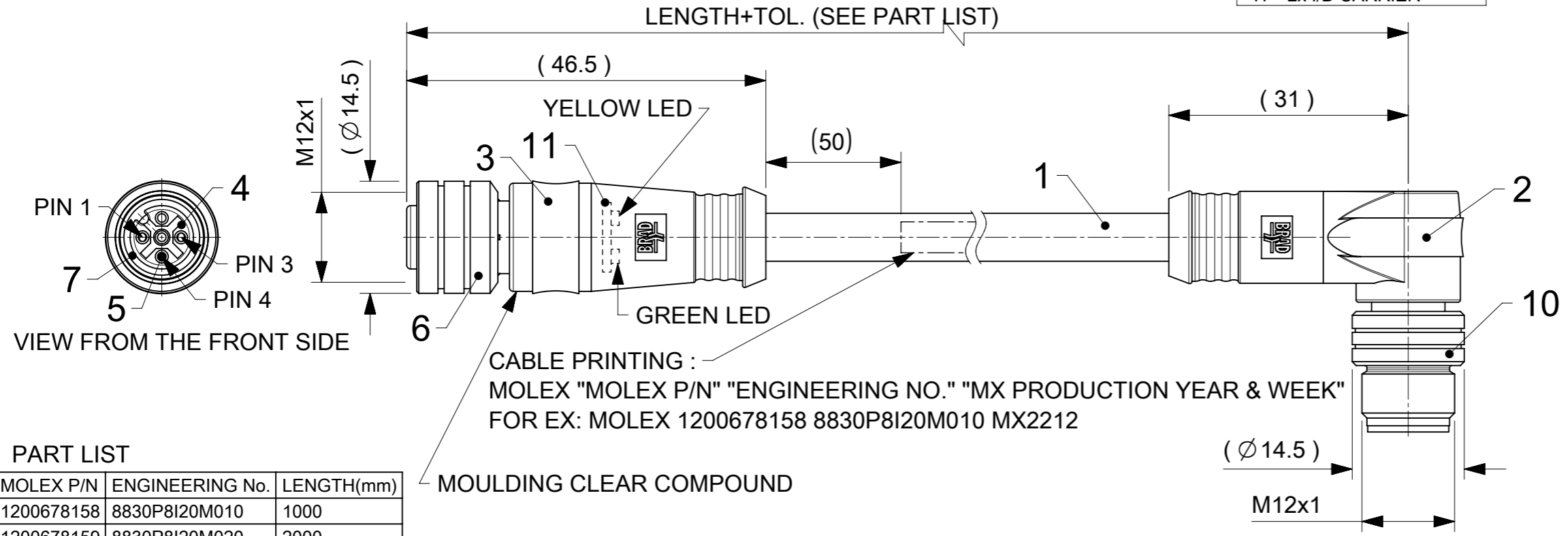
UNIT:
M = METER

LENGTH:
EXAMPLE:
010 = 1 m
050 = 5 m
100 = 10 m

COUPLING NUT:
BLANK = KNU
7 = TEFLON KNU
OVERMOULD:
BLANK = BLACK
A = GREY
G = BLACK
Y = YELLOW
R = RED
H = 2x I/D CARRIER



SCALE 3:4



PART LIST

MOLEX P/N	ENGINEERING No.	LENGTH(mm)
1200678158	8830P8I20M010	1000
1200678159	8830P8I20M020	2000
1200678160	8830P8I20M030	3000

BOM

ITEM No.	QTY.	DESCRIPTION	MATERIAL	FINISH/COLOR
11	1	MMC-PNP LED PCB(SCALLOPED)ROHS	-	-
10	1	M12 MALE COUPLING NUT	BRASS	TEFLON COAT
9	3	CONTACT MALE	BRASS	GOLD OVER Ni-PLATED
8	1	M12 MALE INSERT	PUR	BLACK
7	1	GASKET	FPM	RED
6	1	M12 FEMALE COUPLING NUT	BRASS	TEFLON COAT
5	3	CONTACT FEMALE	BRASS	SELECTIVE GOLD OVER NICKEL
4	1	INSERT M12 FEMALE 3P	TPU	BLACK
3	-	PCB SIDE OVERMOULD	TPU	TRANSPARENT
2	-	OVERMOULD	TPU	BLACK
1	-	CABLE 3X0.34MM	PVC	GRAY

NOTES :
 ELECTRICAL DATA :
 VOLTAGE RATING : 60V
 AMPERAGE RATING : 4A
 INSULATION RESISTANCE : 10⁹Ω MIN.
 MATING CYCLES : MIN. 100
 ENVIRONMENTAL :
 PROTECTION : IP67 IN MATED AND LOCKED POSITION
 OPERATING TEMPERATURE : -25°C TO +80°C

TABLE OF LENGTH TOLERANCES (mm)			FUNCTIONAL SYMBOLS		THIS DRAWING CONTAINS INFORMATION THAT IS PROPRIETARY TO MOLEX ELECTRONIC TECHNOLOGIES, LLC AND SHOULD NOT BE USED WITHOUT WRITTEN PERMISSION		
OVER	UP TO AND INCLUDING	TOLERANCE	SCALE	CURRENT REV	DESC.	MIGRATED & REVISED	
0	305	+19	mm	3:2	710031		
305	915	+45	GENERAL TOLERANCES (UNLESS SPECIFIED)				
915	1830	+56	ANGULAR TOL ± 1.0°				
1830	3660	+89	4 PLACES ±				
3660	7320	+165	3 PLACES ±				
7320	14640	+317	2 PLACES ± 0.05				
14640	30500	+610	1 PLACE ± 0.3				
30500	>	+2% OF LENGTH	0 PLACES ± 0.5				
DRAFT WHERE APPLICABLE MUST REMAIN WITHIN DIMENSIONS			THIRD ANGLE PROJECTION		DRAWING		
			A3-SIZE		SERIES		
			120067		MATERIAL NUMBER		
			SEE PART LIST		CUSTOMER		
			GENERAL MARKET		SHEET NUMBER		
			1 OF 1				