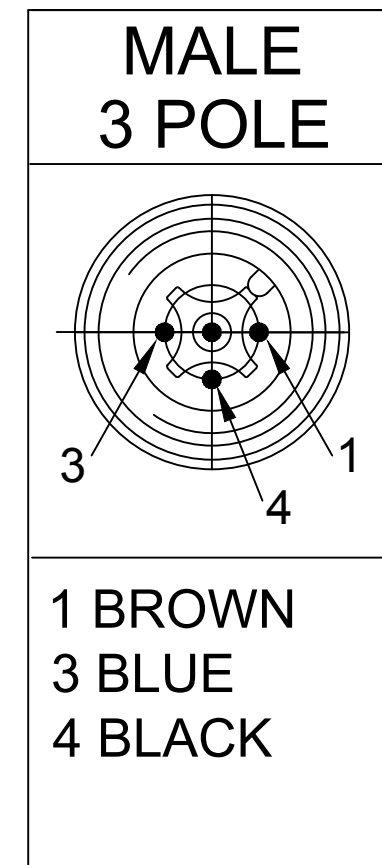
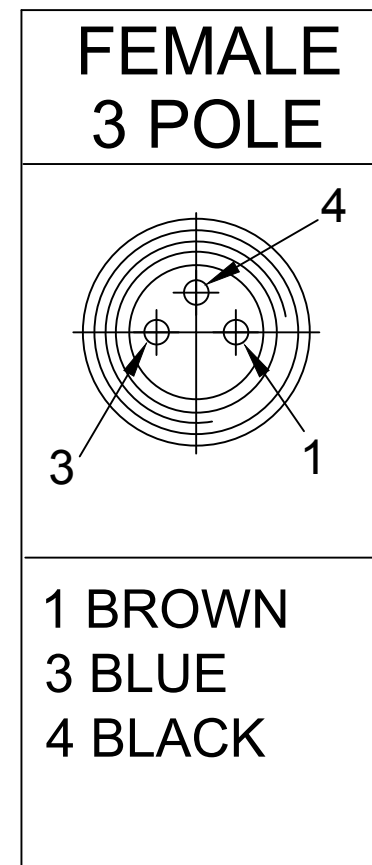
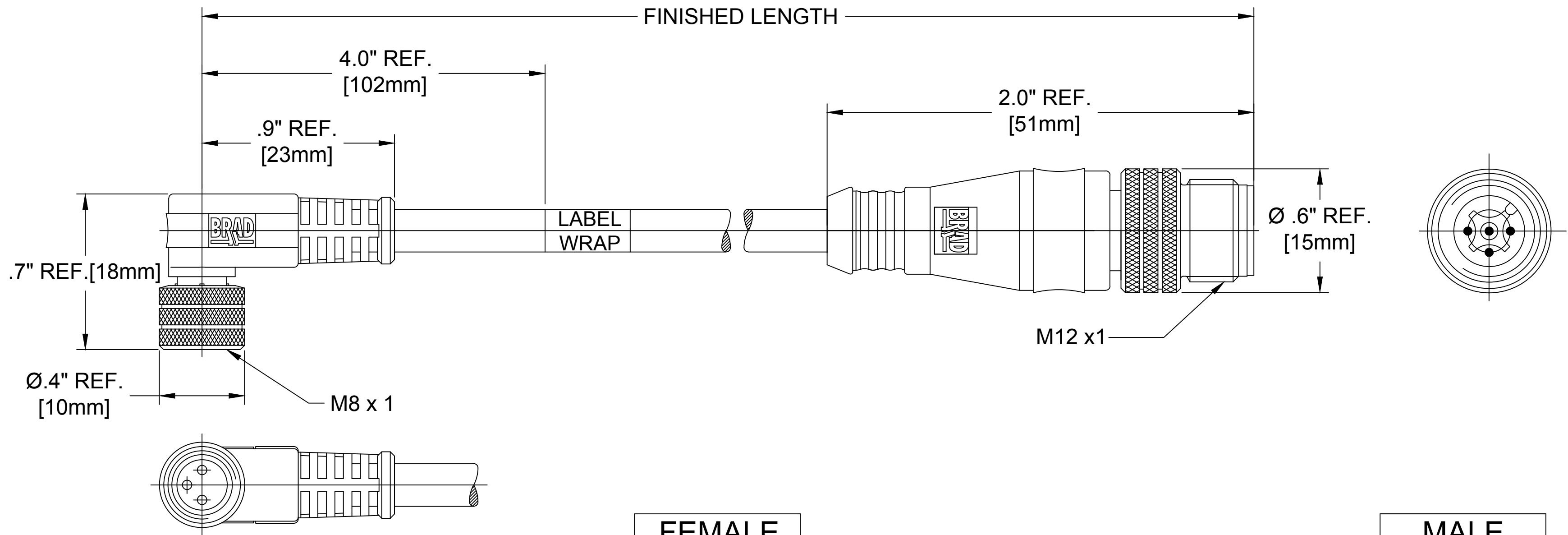


MATERIAL NUMBER	OLD PART NUMBER	FINISHED LENGTH
1200868553	483031K05M006	.6M +55.6mm -0 [2.0FT. +2.2IN -0]
1200878554	483031K05M050	5M +55.6mm -0 [16.4FT. +2.2IN -0]



483031K05M006

cable type
#22 TPE
YELLOW

cable length
006----.6 Meters
010----1 Meter
100----10 Meters

SPECIFICATION DATA

COMPONENT	MATERIAL	FINISH
LABEL	MYLAR	BLACK/YELLOW
COUPLER	BRASS	NICKEL PLATED
CONTACT	COPPER ALLOY	Au OVER Ni
O-RING	VITON	RED
INSERT	PUR	BLACK
OVERMOLD	RITEFLEX	YELLOW
CABLE	TPE	YELLOW
VOLTAGE RATING:		60VAC/75DC
AMPERAGE RATING:		4A
PROTECTION CLASS:		IP 68
OPERATING TEMPERATURE:		-25°C / 80°C
UL CERTIFICATION:		FILE NO. E152210
CSA CERTIFICATIONS:		FILE NO. LR6837

RELEASE EC NO: IFC2014-0629 DRWN: GGUSTAFS 2013/10/11 CHKD: TWOLDEGE APPR: BWOODMAN2013/11/12	DESCRIPTION A	QUALITY SYMBOL	GENERAL TOLERANCES (UNLESS SPECIFIED)	DIMENSION STYLE	SCALE	DESIGN UNITS	THIRD ANGLE PROJECTION
		$\nabla=0$ $\sphericalangle=0$	mm INCH 4 PLACES ±--- ±--- 3 PLACES ±--- ±.005 2 PLACES ±0.25 ±0.010 1 PLACE ±0.13 ±0.020	IN/MM	NTS	INCH	TITLE NANO CHANGE MIRCO CHANGE 3 POLE FEMALE/MALE90D/ST #22 TPE
		ANGULAR ±.5° DRAFT WHERE APPLICABLE MUST REMAIN WITHIN DIMENSIONS	DRAWN BY DATE GGUSTAFS 2013/10/09 CHECKED BY DATE TWOLDEGE 2013/11/20 APPROVED BY DATE BWOODMAN 2013/11/12	MATERIAL NO. SEE CHART	MOLEX INCORPORATED DOCUMENT NO. SD-120086-057	SHEET NO. 1 OF 1	
		THIS DRAWING CONTAINS INFORMATION THAT IS PROPRIETARY TO MOLEX INCORPORATED AND SHOULD NOT BE USED WITHOUT WRITTEN PERMISSION					