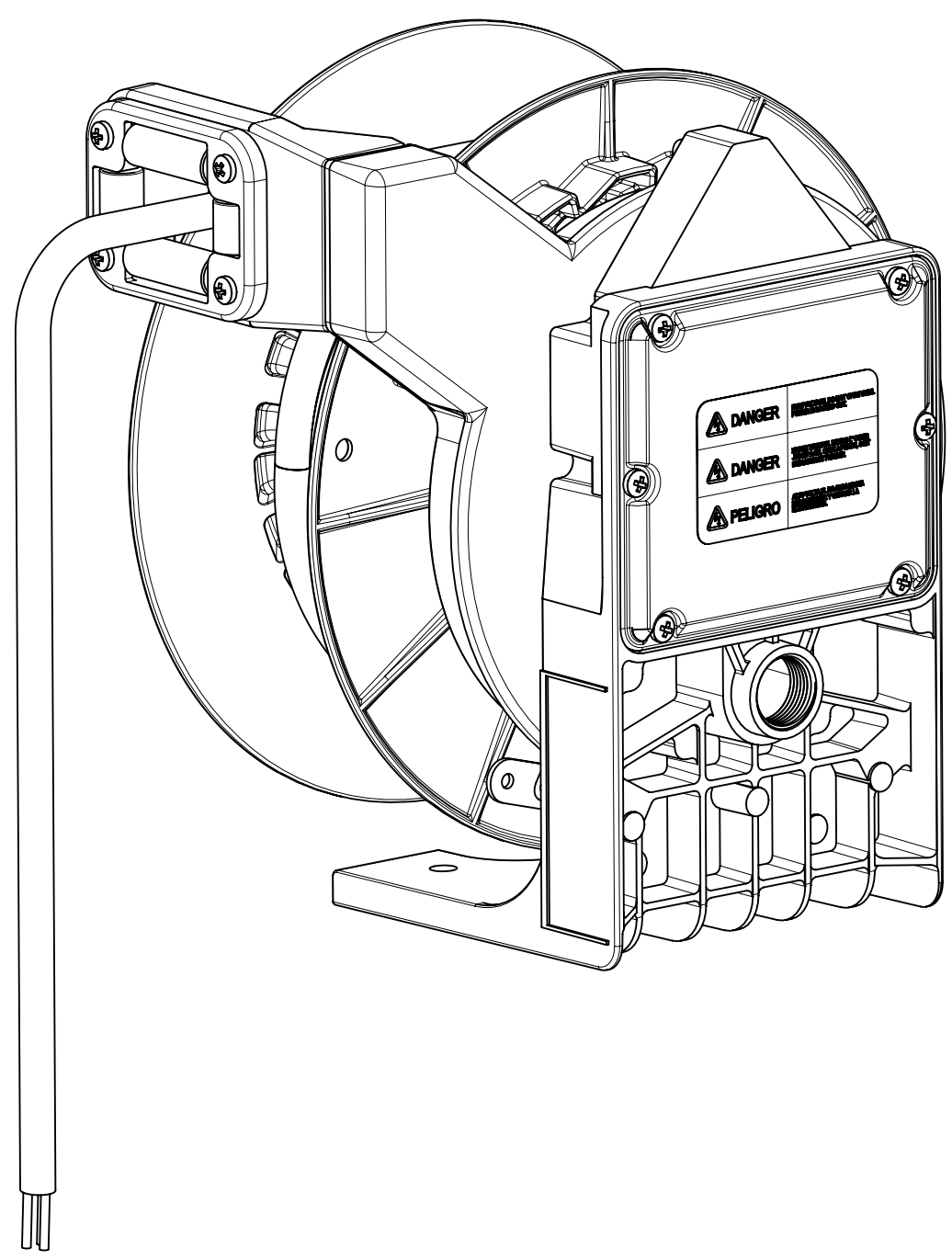
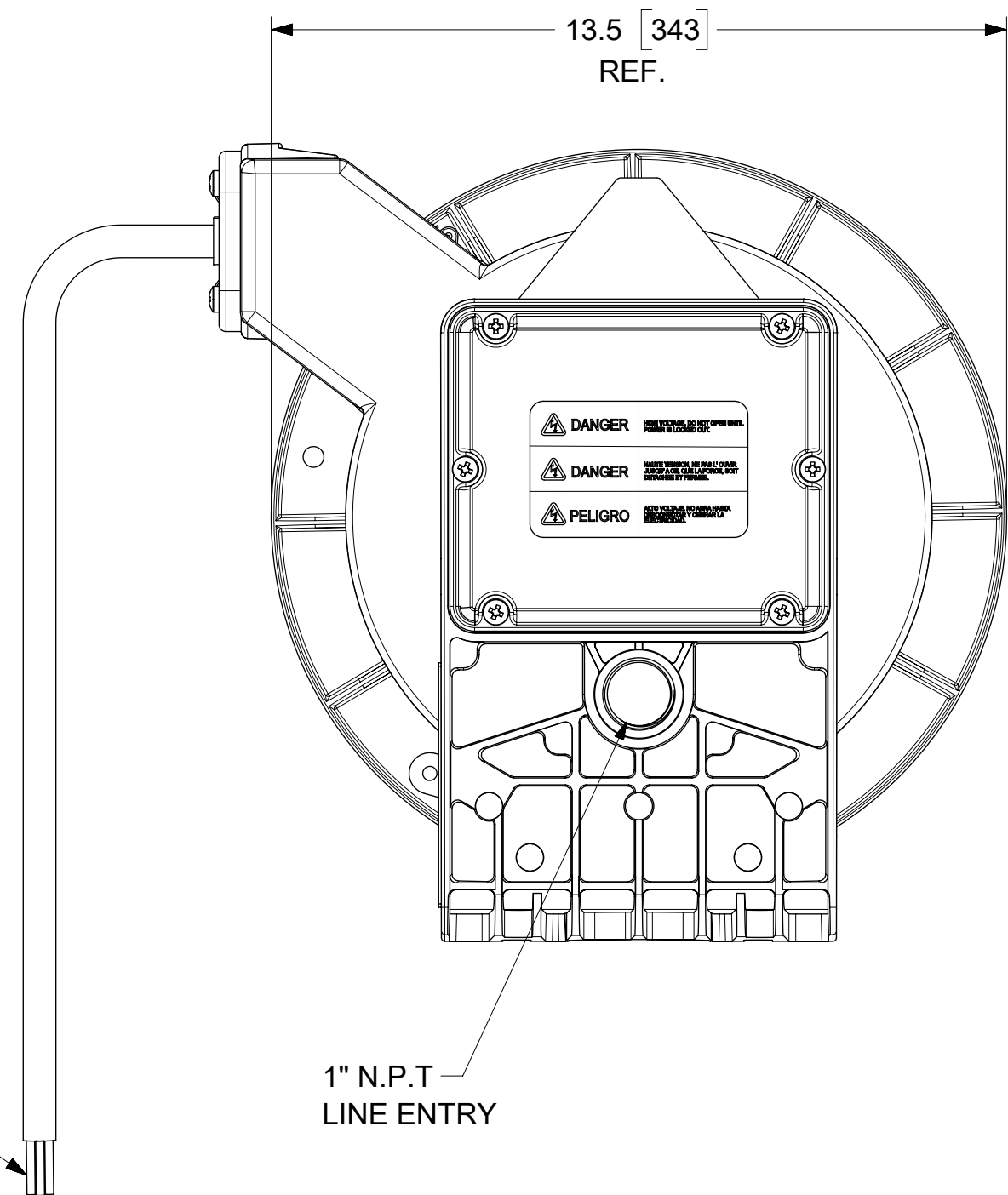
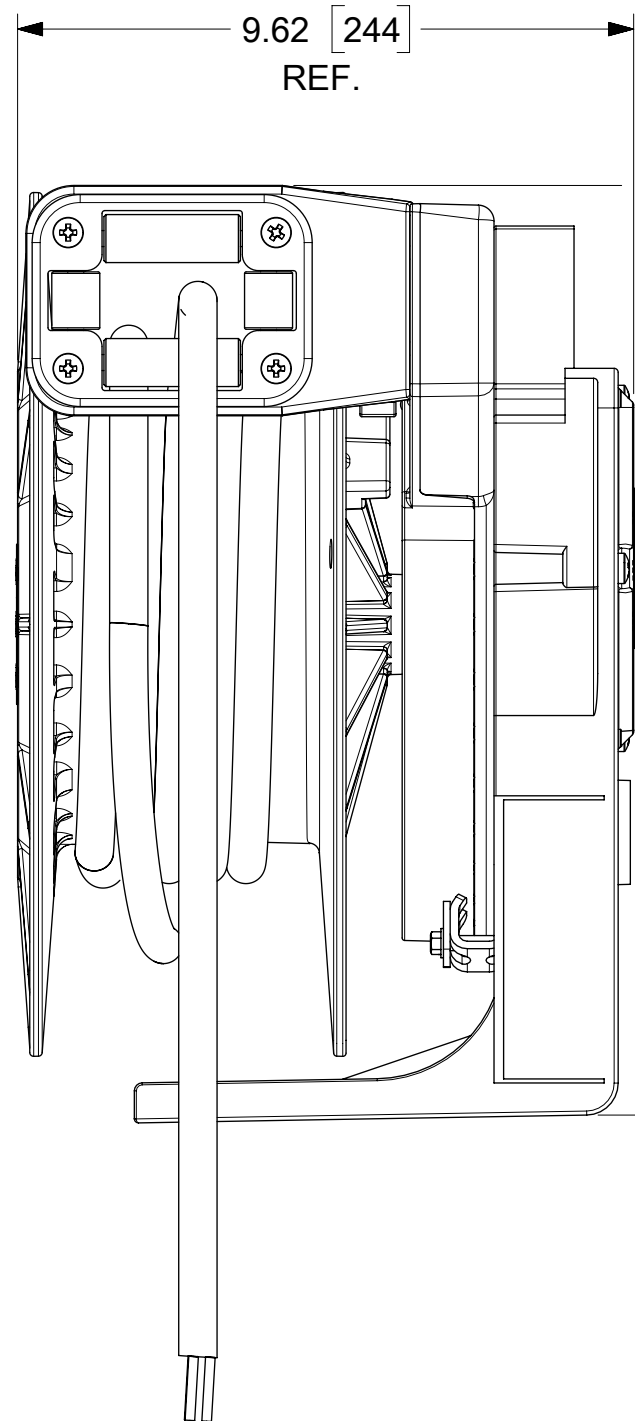
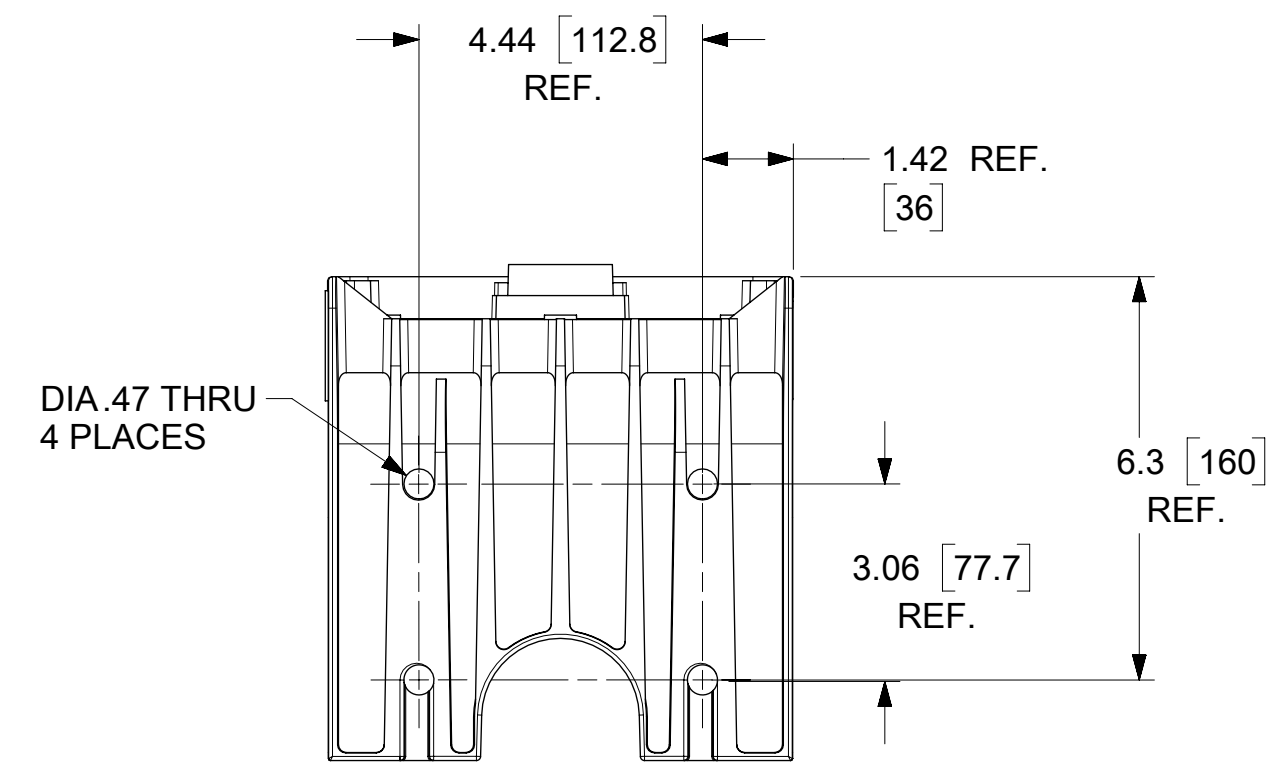


ORDER NO	130083-0232
WOODHEAD ENG. NO	92433
WIRE GAUGE	12
CONDUCTORS	3
AMPERAGE	18A
WORKING CORD	50 FT. YELLOW
CORD TYPE	SOOW
CONSTRUCTION	HEAVY WALL CAST ALUMINUM
PAINT	YELLOW POWDER COAT
REEL ENCLOSURE RATING	NEMA 4 INDOOR / OUTDOOR
RETRACTION WEIGHT	4.0 LB [1.8 KG]



FLYING LEAD



BOTTOM VIEW

NOTES:

1. CABLE GUIDE IS ADJUSTABLE EVERY 5 DEGREES OVER 270 DEGREE ARC.
2. RATCHET LOCK IS EASY TO DISENGAGE FOR CONSTANT TENSION.
3. REEL CANNOT BE "LOCKED OUT" AT FULL EXTENSION.
4. CABLE STOP IS OPTIONAL: ORDER No. 130226-4374 / WOODHEAD ENG. No. 9521

FUNCTIONAL SYMBOLS	THIS DRAWING CONTAINS INFORMATION THAT IS PROPRIETARY TO MOLEX ELECTRONIC TECHNOLOGIES, LLC AND SHOULD NOT BE USED WITHOUT WRITTEN PERMISSION		
	DIMENSION UNITS	SCALE	CURRENT REV DESC: RELEASE CUSTOMER DRAWING
$F_A = 0$	INCH/MM	NTS	<p>molex</p> <p>CABLE REEL - INDUSTRIAL DUTY 50' #12-3 SOOW</p> <p>PRODUCT CUSTOMER DRAWING</p> <p>DOCUMENT NUMBER: SD-130083-038 DOC TYPE: PSD DOC PART: 001 REVISION: A1</p> <p>MATERIAL NUMBER: SEE TABLE CUSTOMER: GENERAL MARKET SHEET NUMBER: 1 OF 1</p>
$F_C = 0$	GENERAL TOLERANCES (UNLESS SPECIFIED)		
$F_P = 0$	MM	INCH	
DIVISIONAL SYMBOLS	4 PLACES	±	
	3 PLACES	± 0.005	
	2 PLACES	± 0.13 ± 0.01	
	1 PLACE	± 0.25 ± 0.02	
	0 PLACES	±	
	ANGULAR TOL	± 0.5°	
	DRAFT WHERE APPLICABLE MUST REMAIN WITHIN DIMENSIONS	THIRD ANGLE PROJECTION	<p>EC NO: 674091</p> <p>DRWN: DSOPPIN 2020/06/29</p> <p>CHK'D: DSOPPIN 2022/05/09</p> <p>APPR: HKNEELAND 2022/05/13</p> <p>INITIAL REVISION:</p> <p>DRWN: MCHOJECK 2011/07/18</p> <p>APPR: DTITUS 2011/09/02</p>