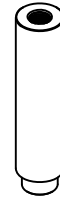
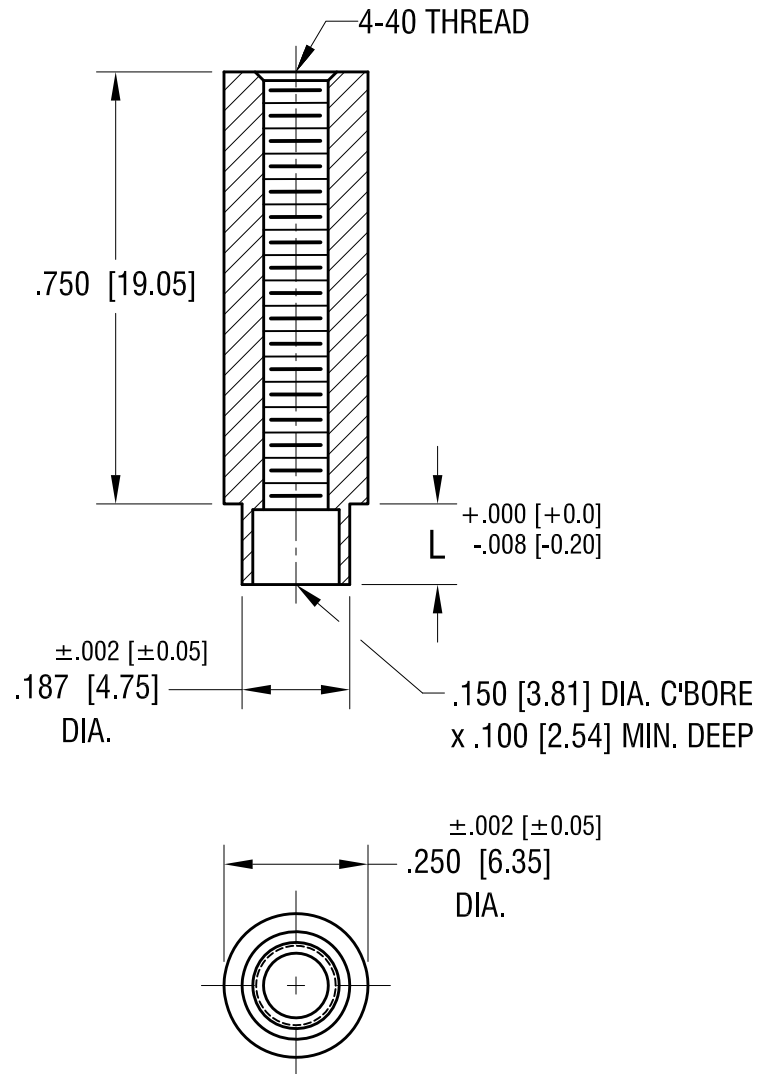


THIS DOCUMENT IS THE PROPERTY OF KEYSTONE ELECTRONICS CORP. AND SHALL NOT BE REPRODUCED, DISTRIBUTED OR USED AS A BASIS FOR MANUFACTURE WITHOUT PRIOR WRITTEN PERMISSION FROM KEYSTONE ELECTRONICS CORP.

ACTUAL SIZE



P/N 1625-2



PART NO.	'L' DIM.
1625-2	.109 [2.77]
1625-3	.140 [3.56]

KEYSTONE ELECTRONICS CORP.			
www.keyelco.com • NEW HYDE PARK NY 11040 • Tel (516)328-7500			
PART NAME			
SWAGE THREADED STANDOFF			
MATERIAL			
BRASS			
FINISH	DUCTILE NICKEL PLATE	DRN BY	BOONE
		APP'D	LN
		DATE	2.02.00
		SCALE	3X
TOLERANCES	INCH [MM]	CODE	DWG NO.
DECIMAL	$\pm .005 [\pm 0.13]$	C	1625-
ANGULAR	$\pm 1^\circ$		
UNLESS OTHERWISE SPECIFIED			

11.22.21	CHANGE AS PER ECN21-164	B
5.13.02	CHANGE AS PER ECN 02-039	A
DATE	DESCRIPTION	REV.