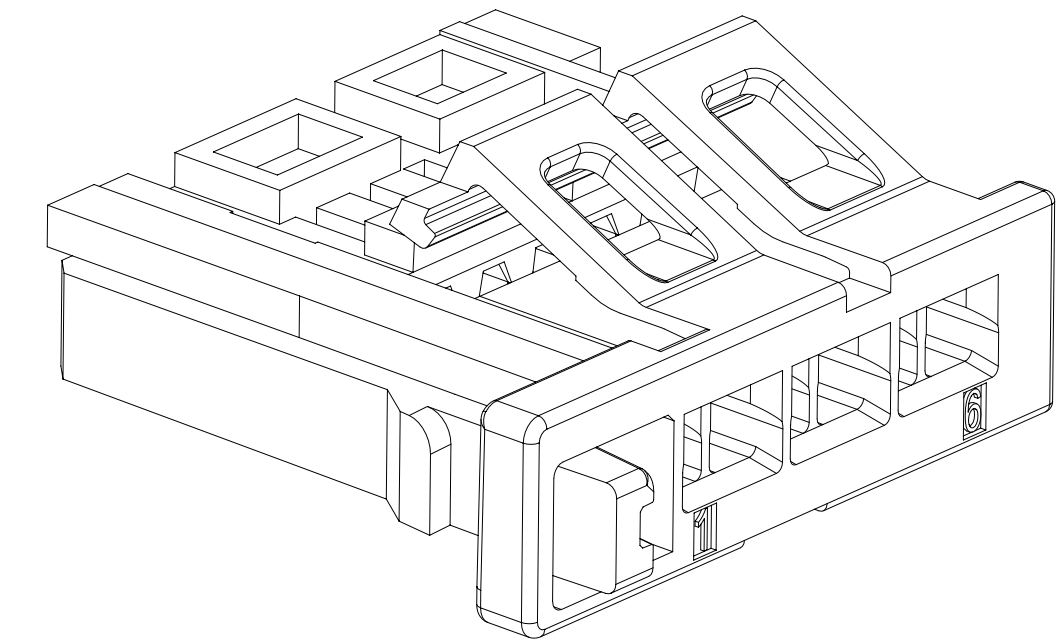
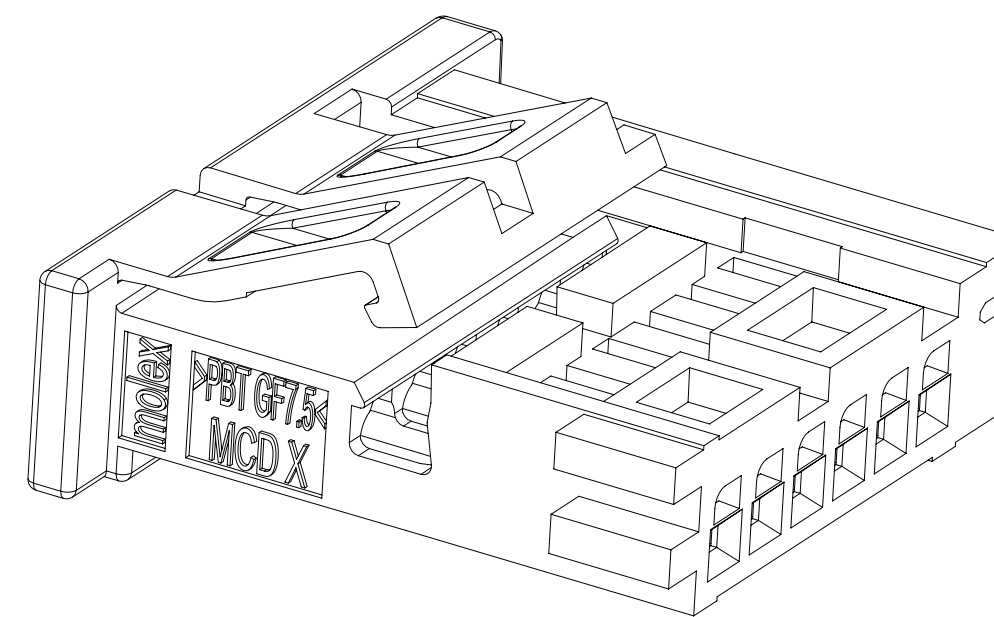


**EXAMPLE:**

PN 2058272081  
 205827 - SERIES NUMBER: SINGLE ROW RECEPTACLE  
 2 - TYPE OF COMPONENT: STANDARD MATL RECPT  
 06 - 06 USABLE CIRCUITS  
 1 - POL A

FINAL PART: 06CKT SINGLE ROW RECEPTACLE - POL A

**6 WAY RECEPTACLE SHOWN**



	SERIES NUMBERS (AAAAAA)	TYPE OF COMPONENT (B)	USABLE CIRCUITS (CC)	POL (D)
ON DRAWING	205827 - TANG RECEPTACLE	2 - STANDARD MATERIAL	02 - 2 Circuits	0 - No POL or N/A
MATING PARTS	208033 - RIGHT ANGLE SMT HEADER - TAPE & REEL		...	1 - POL A
	208034 - RIGHT ANGLE SMT HIGH PERFORMANCE HEADER - TAPE & REEL		...	2 - POL B
	208035 - VERTICAL SMT HEADER - TAPE & REEL		...	3 - POL C
	208036 - VERTICAL SMT HIGH PERFORMANCE HEADER - TAPE & REEL		22 - 22 Circuits	4 - POL D

NOTES: VALID UNLESS OTHERWISE SPECIFIED

1. GENERAL:

- 1.1 APPLICATION SPECIFICATION SEE: 2046310000-AS
- 1.2 PRODUCT SPECIFICATION SEE: 2046310000-PS
- 1.3 PACKAGING SPECIFICATION PER MOLEX DRAWING: PK-31301-538
- 1.4 PARTS MUST BE IN COMPLIANCE TO MOLEX CHEMICAL SUBSTANCES FOR PRODUCTS AND PACKAGING SPECIFICATION: QEHS-699000-300 (FOR SUPPLIERS) OR QEHS-699000-304 (INTERNAL)
- 1.5 DATA MUST BE SUBMITTED UNDER THE MOLEX PART NUMBER TO IMDS (COMPANY ID#13255)
- 1.6 COMPATIBLE WITH AK INTERFACE TO DRAWING C-114-94000-20 REV A1

2. DESIGN - MATERIALS:

- 2.1 RECEPTACLE HOUSING:
  - a. MATERIAL: PBT-GF7.5%
  - b. COLOR: SEE PART TABLE

3. DESIGN - GEOMETRY:

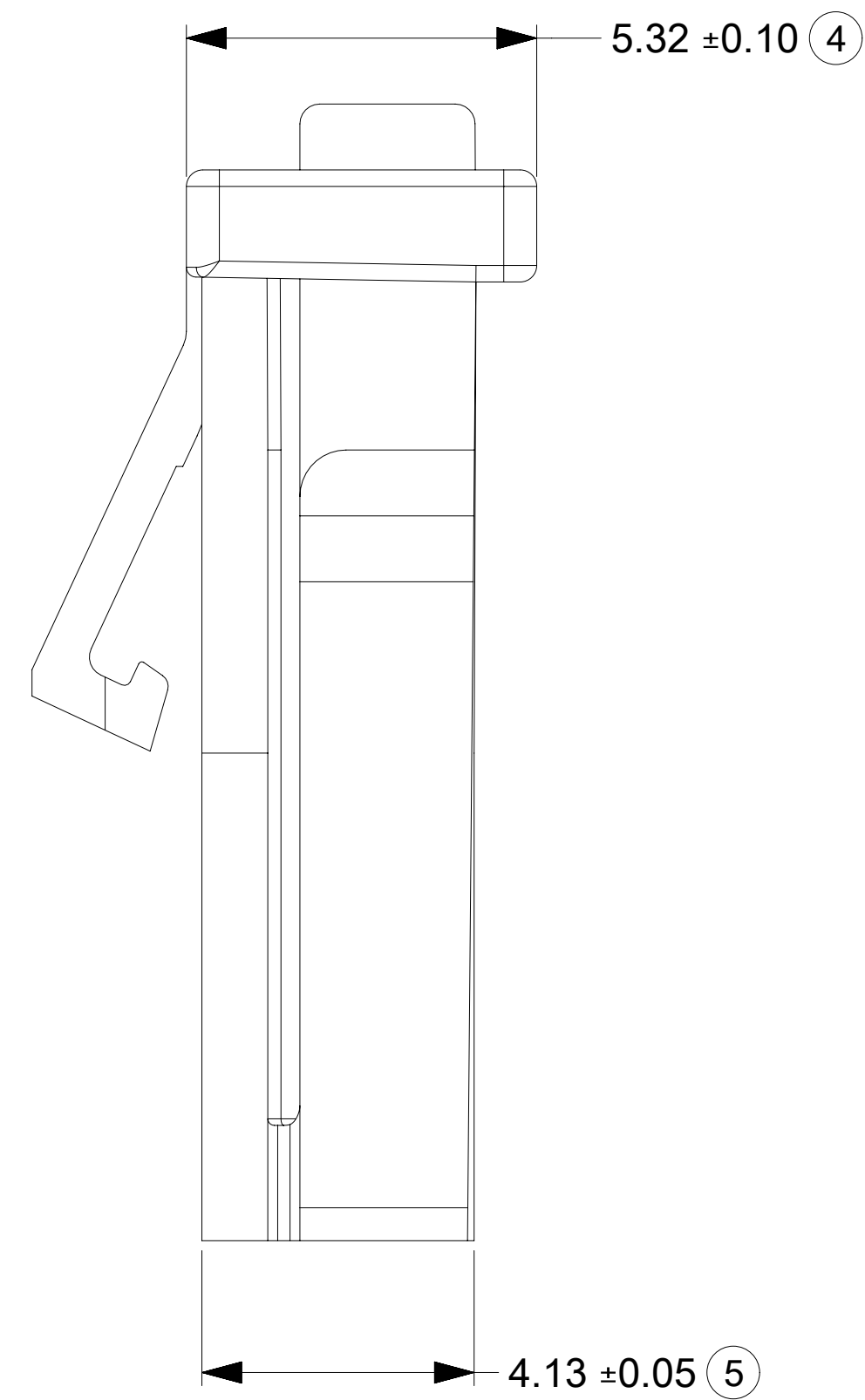
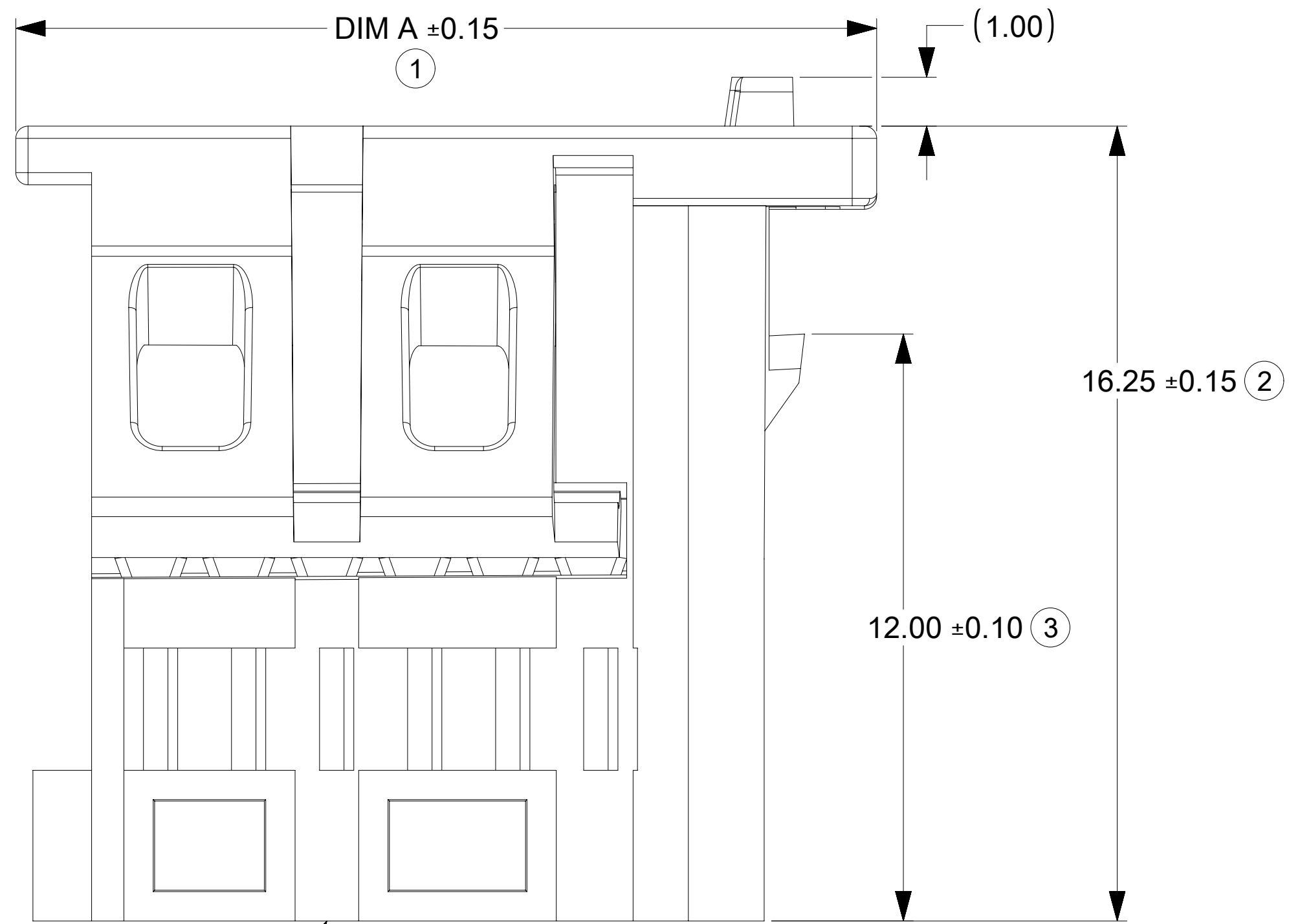
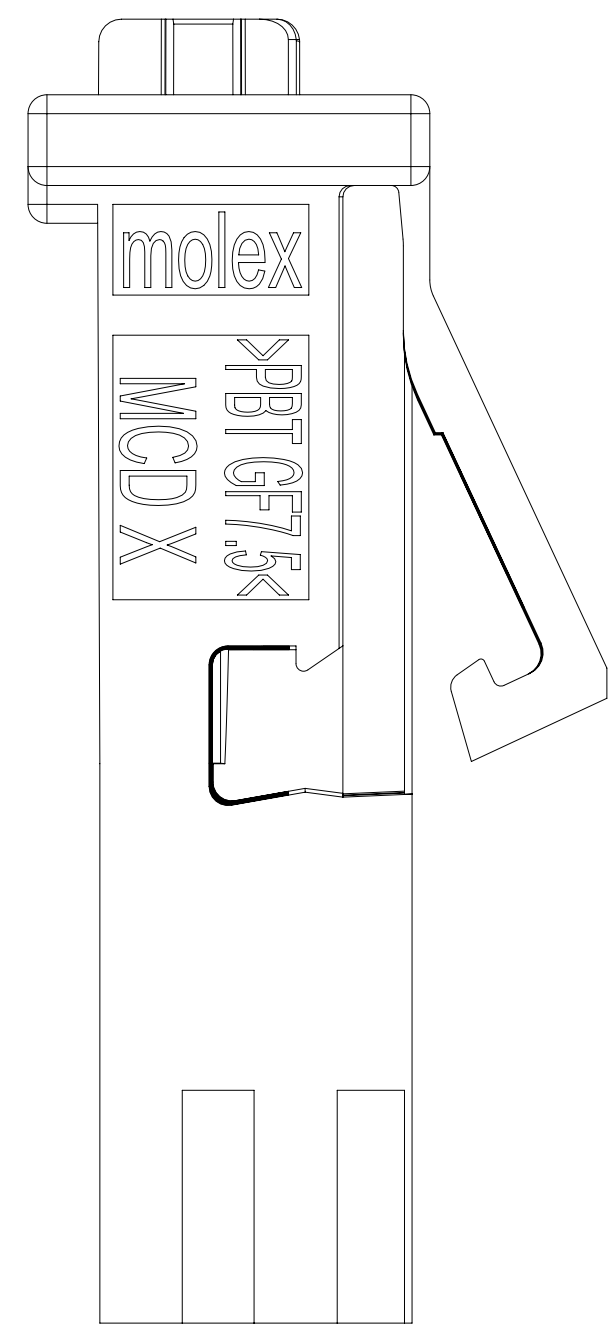
- 3.1 GEOMETRIC DIMENSIONS AND TOLERANCES PER ASME Y14.5M-2009
- 3.2 EDGES AND UNDIMENSIONED DETAILS PER ISO13715
- 3.3 CORNERS SHOWN AS SHARP TO BE R 0.2 MAX.
- 3.4 MARKED TEXT TO INCLUDE:
  - a. FOR RECEPTACLE COMPONENT: RECYCLING CODE, CAVITY ID, AND VENDOR IDENTIFICATION.

INTERFACE	INTERFACE CKT SIZE	DIM A	DIM B	POL	COLOR	RECEPTACLE P/N	PART STATUS
	2	10.40	7.75	A	BLACK	2058272021	AVAILABLE
				B	NATURAL	2058272022	
				C	BLUE	2058272023	
				D	VIOLET	2058272024	
	3	12.20	9.55	A	BLACK	2058272031	AVAILABLE
				B	NATURAL	2058272032	
				C	BLUE	2058272033	
				D	VIOLET	2058272034	
	4	14.00	11.35	A	BLACK	2058272041	AVAILABLE
				B	NATURAL	2058272042	
				C	BLUE	2058272043	
				D	VIOLET	2058272044	
	5	15.80	13.15	A	BLACK	2058272051	AVAILABLE
				B	NATURAL	2058272052	
				C	BLUE	2058272053	
				D	VIOLET	2058272054	
	6	17.60	14.95	A	BLACK	2058272061	AVAILABLE
				B	NATURAL	2058272062	
				C	BLUE	2058272063	
				D	VIOLET	2058272064	
	7	19.40	16.75	A	BLACK	2058272071	INQUIRE FOR AVAILABILITY
				B	NATURAL	2058272072	
				C	BLUE	2058272073	
				D	VIOLET	2058272074	
	8	21.20	18.55	A	BLACK	2058272081	INQUIRE FOR AVAILABILITY
				B	NATURAL	2058272082	
				C	BLUE	2058272083	
				D	VIOLET	2058272084	
	9	23.00	20.35	A	BLACK	2058272091	INQUIRE FOR AVAILABILITY
				B	NATURAL	2058272092	
				C	BLUE	2058272093	
				D	VIOLET	2058272094	
	10	24.80	22.15	A	BLACK	2058272101	INQUIRE FOR AVAILABILITY
				B	NATURAL	2058272102	
				C	BLUE	2058272103	
				D	VIOLET	2058272104	
	11	26.60	23.95	A	BLACK	2058272111	INQUIRE FOR AVAILABILITY
				B	NATURAL	2058272112	
				C	BLUE	2058272113	
				D	VIOLET	2058272114	

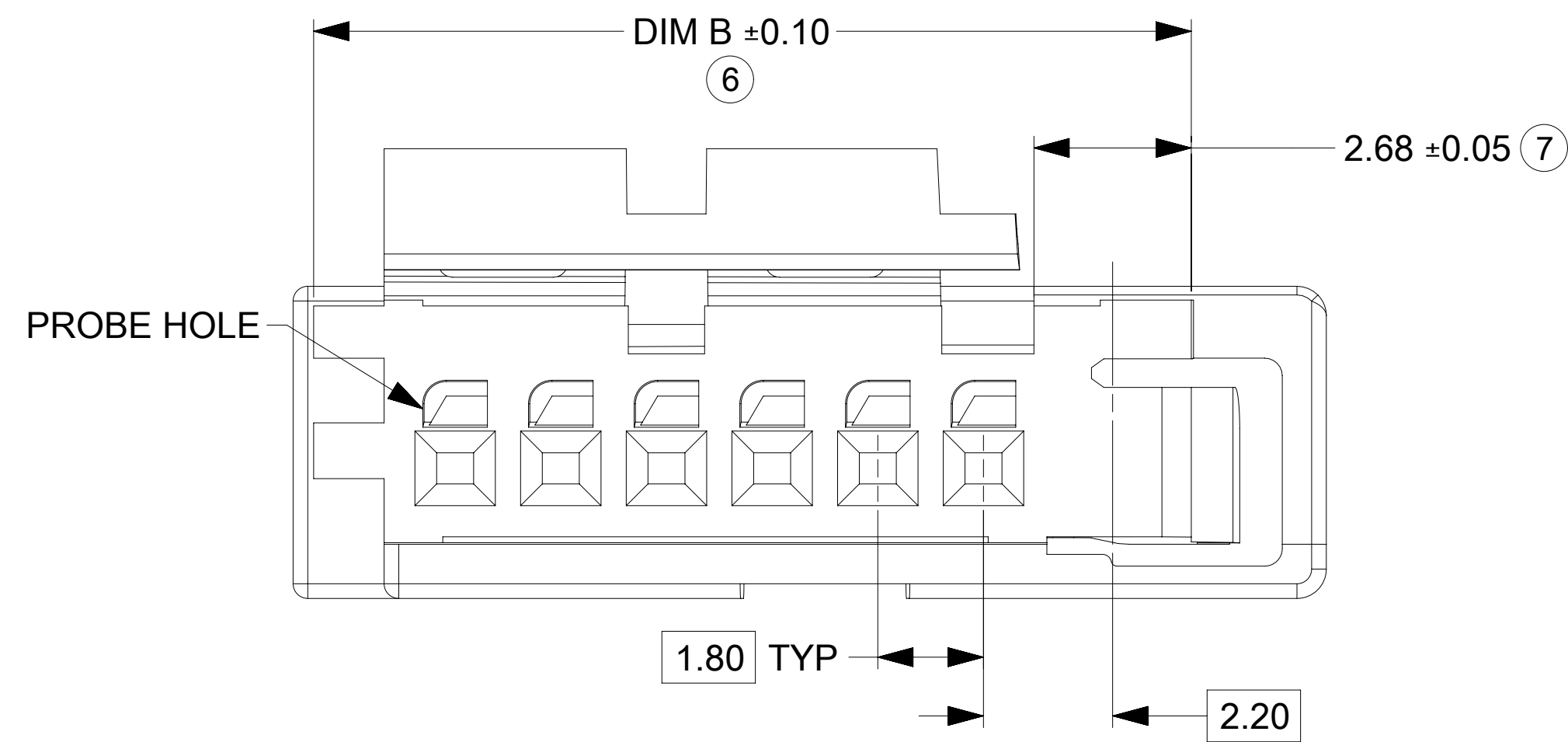
INSPECTION BALLOON NUMBER LOG		
PER DRAWING REVISION: A3	A3	CHANGED POL B COLOR FROM GRAY TO NATURAL
LAST BALLOON USED: 17	A2	CHANGED DIM A DIMENSIONS
ADDED BALLOON NUMBERS:	A1	ADDED DIMENSION BALLOONS UPDATED TOERLANCE FOR DIM 3
REMOVED BALLOON NUMBERS:	A	INITIAL RELEASE
	REV	DESCRIPTION

THIS DRAWING CONTAINS INFORMATION THAT IS PROPRIETARY TO MOLEX ELECTRONIC TECHNOLOGIES, LLC AND SHOULD NOT BE USED WITHOUT WRITTEN PERMISSION

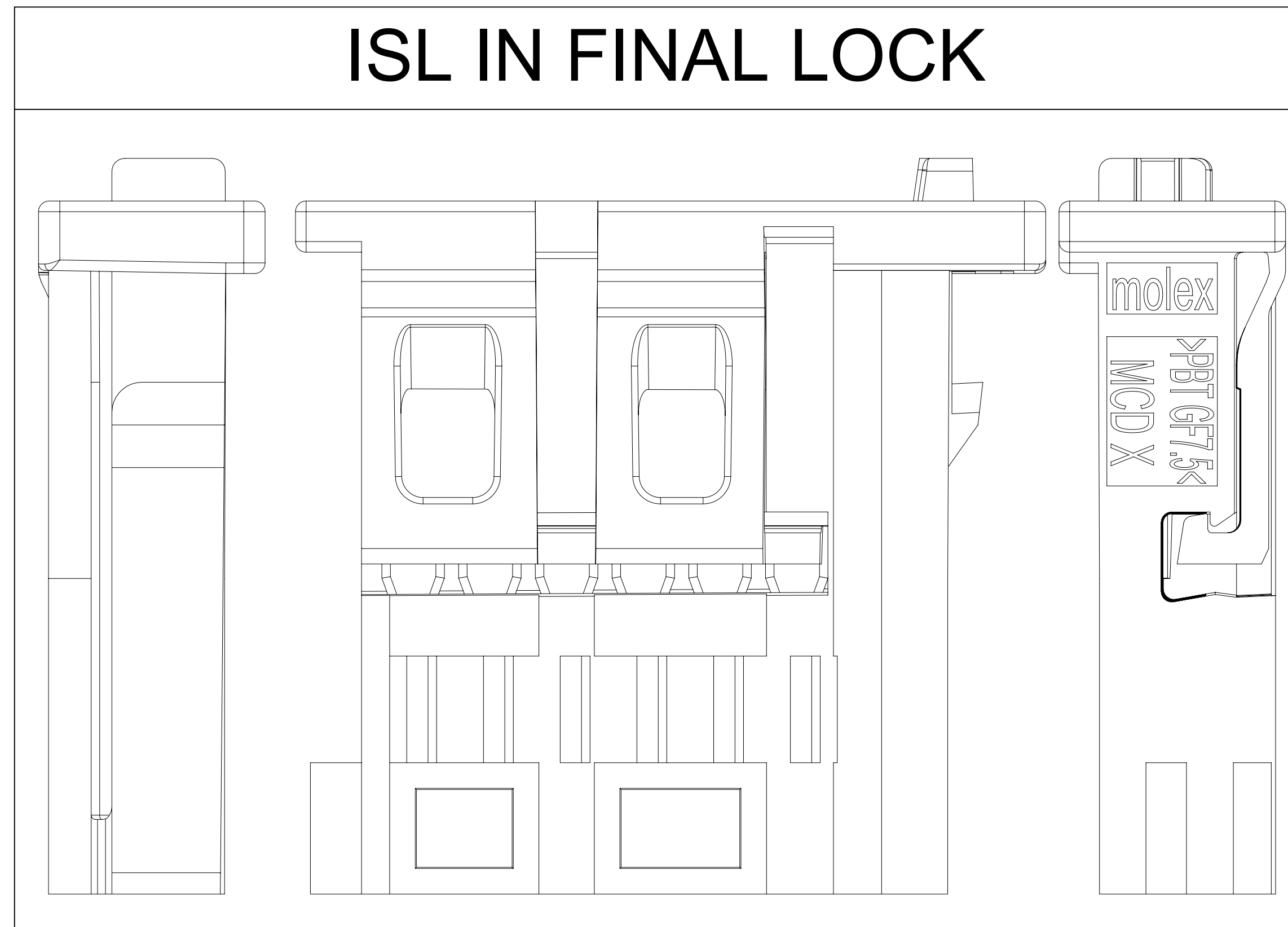
DIMENSION UNITS: mm	SCALE: 6:1	CURRENT REV DESC:		<b>molex</b>			
GENERAL TOLERANCES (UNLESS SPECIFIED)		EC NO: 675374					
ANGULAR TOL: ± °		DRWN: VBALASUBRAMA 2021/08/25		PRODUCT CUSTOMER DRAWING			
4 PLACES: ±		CHK'D: JDUNAJ 2021/08/26		DOCUMENT NUMBER: 2058270002			
3 PLACES: ±		APPR: JDUNAJ 2021/08/26		DOC TYPE: PSD			
2 PLACES: ±		INITIAL REVISION:		DOC PART: 000			
1 PLACE: ±		DRWN: KHEWITT 2019/02/20		REVISION: A3			
0 PLACES: ±		APPR: JDUNAJ 2019/06/12		SHEET NUMBER: 1 OF 2			
DRAFT WHERE APPLICABLE MUST REMAIN WITHIN DIMENSIONS		THIRD ANGLE PROJECTION		DRAWING: D-SIZE		SERIES: 205827	
				MATERIAL NUMBER: GENERAL MARKET		CUSTOMER: 1 OF 2	



CIRCUITS 6-11 CONTAIN 2ND RIB



### ISL IN FINAL LOCK



### POLARIZATION / KEYS / CODING

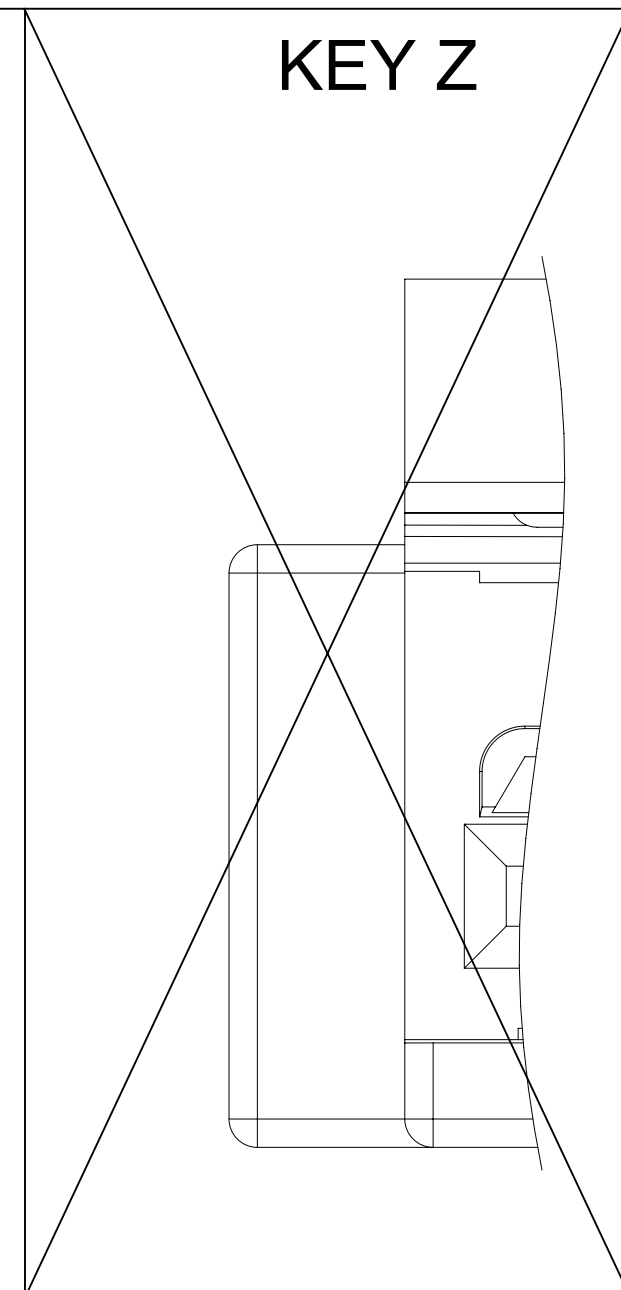
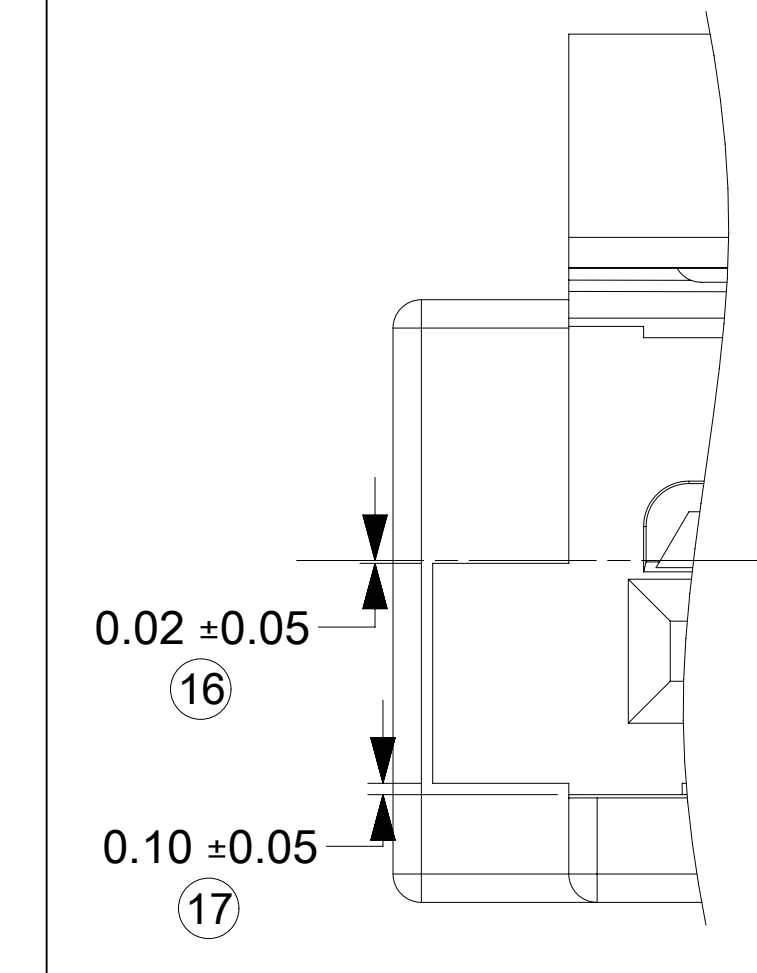
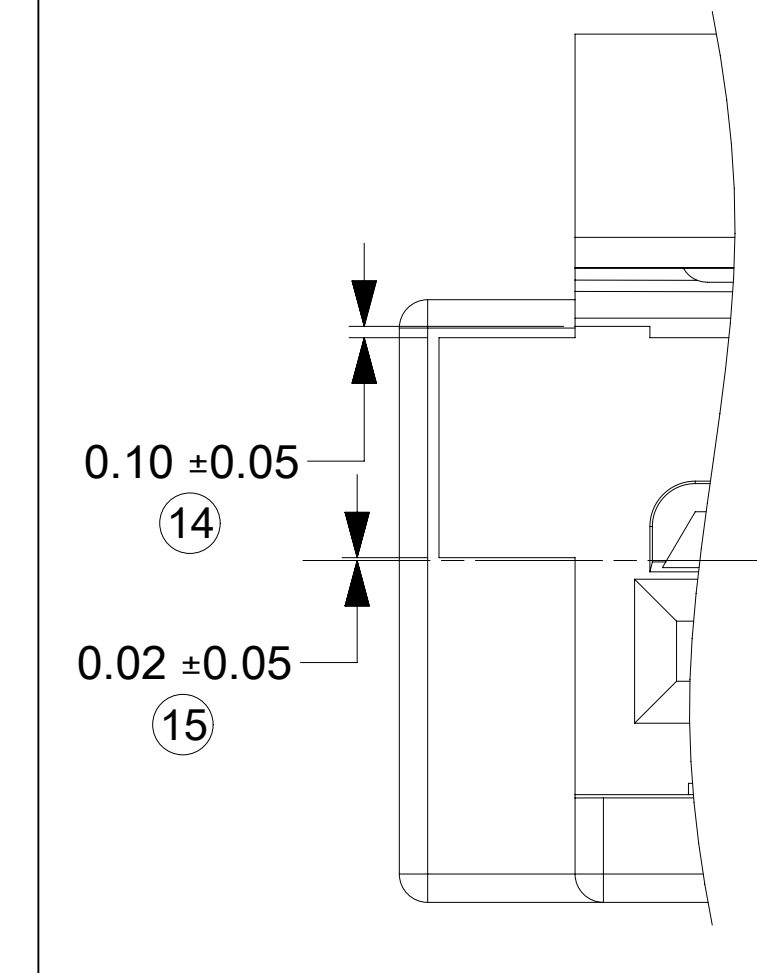
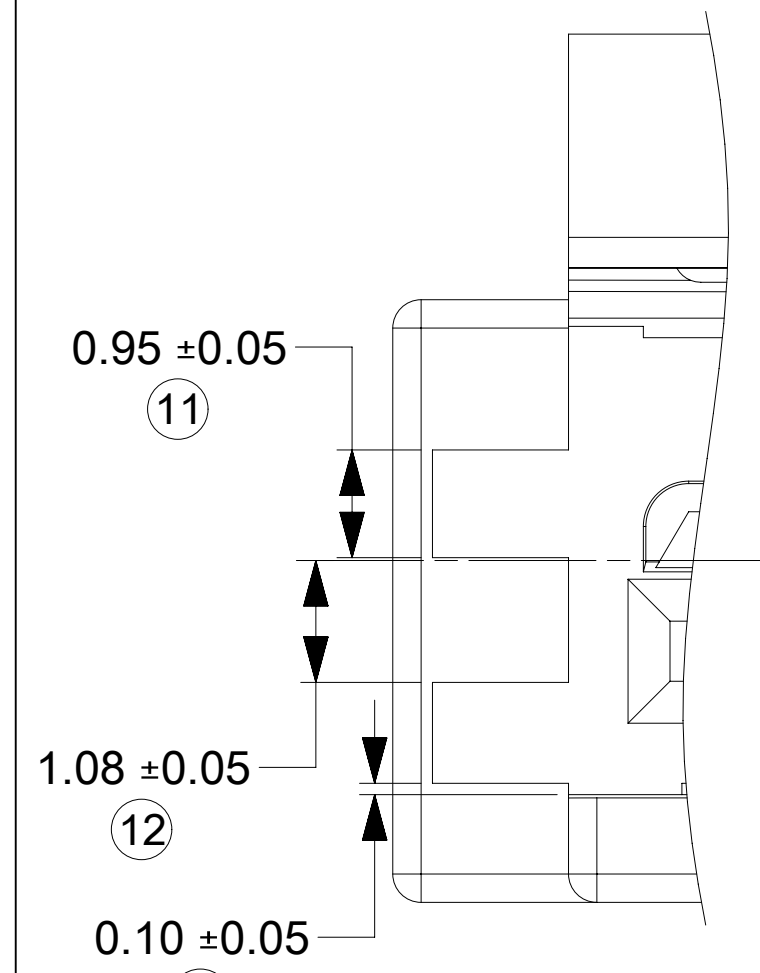
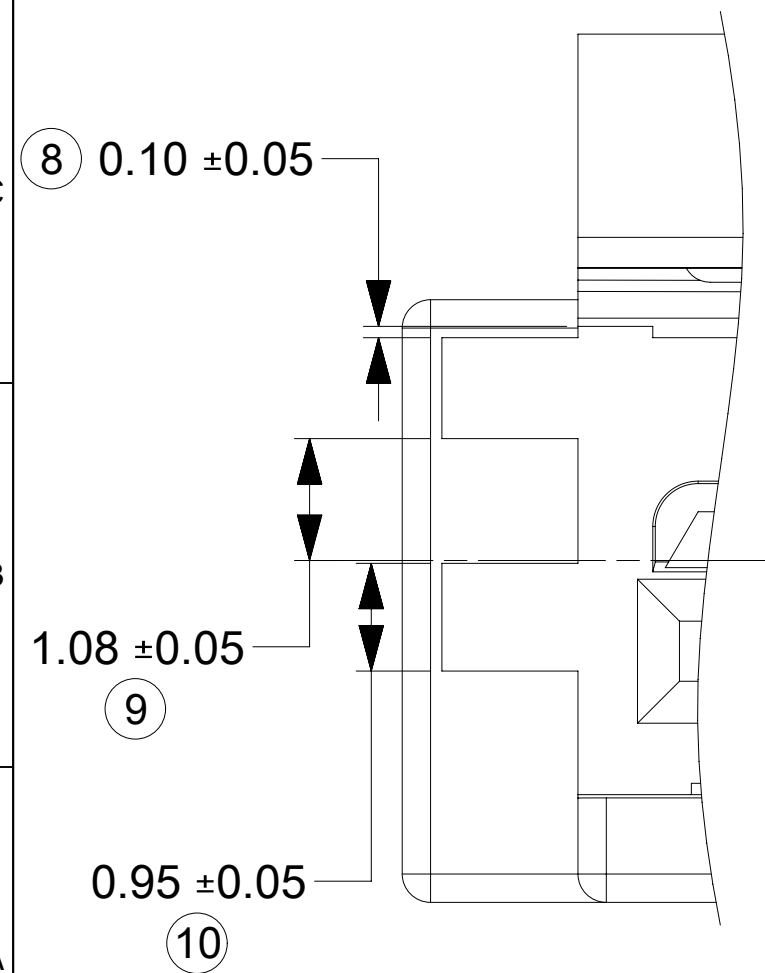
KEY A

KEY B

KEY C

KEY D

KEY Z



THIS DRAWING CONTAINS INFORMATION THAT IS PROPRIETARY TO MOLEX ELECTRONIC TECHNOLOGIES, LLC AND SHOULD NOT BE USED WITHOUT WRITTEN PERMISSION

DIMENSION UNITS	SCALE	CURRENT REV DESC:		<b>molex</b>		
mm	10:1					
GENERAL TOLERANCES (UNLESS SPECIFIED)		EC NO: 675374		CONNTAK50 SR TNG RECEPTACLE SALES DWG		
ANGULAR TOL	±	DRWN: VBALASUBRAMA 2021/08/25		PRODUCT CUSTOMER DRAWING		
4 PLACES	±	CHK'D: JDUNAJ 2021/08/26		DOCUMENT NUMBER		
3 PLACES	±	APPR: JDUNAJ 2021/08/26		2058270002		
2 PLACES	±	INITIAL REVISION:		DOC TYPE		
1 PLACE	±	DRWN: KHEWITT 2019/02/20		PSD		
0 PLACES	±	APPR: JDUNAJ 2019/06/12		DOC PART		
DRAFT WHERE APPLICABLE MUST REMAIN WITHIN DIMENSIONS		THIRD ANGLE PROJECTION		REVISION		
		DRAWING		A3		
		SERIES		MATERIAL NUMBER		
		D-SIZE 205827		CUSTOMER		
				GENERAL MARKET		
				SHEET NUMBER		
				2 OF 2		