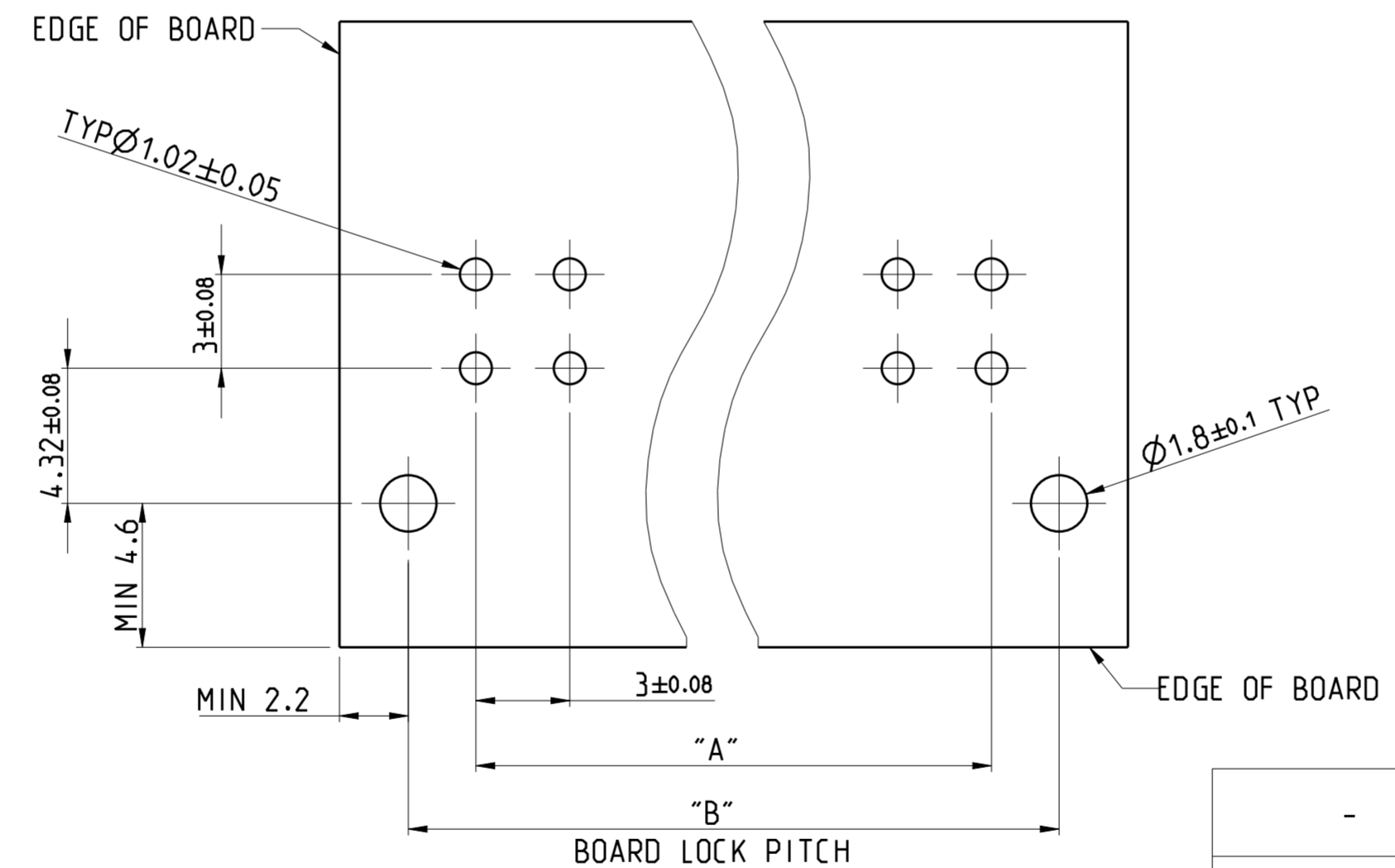
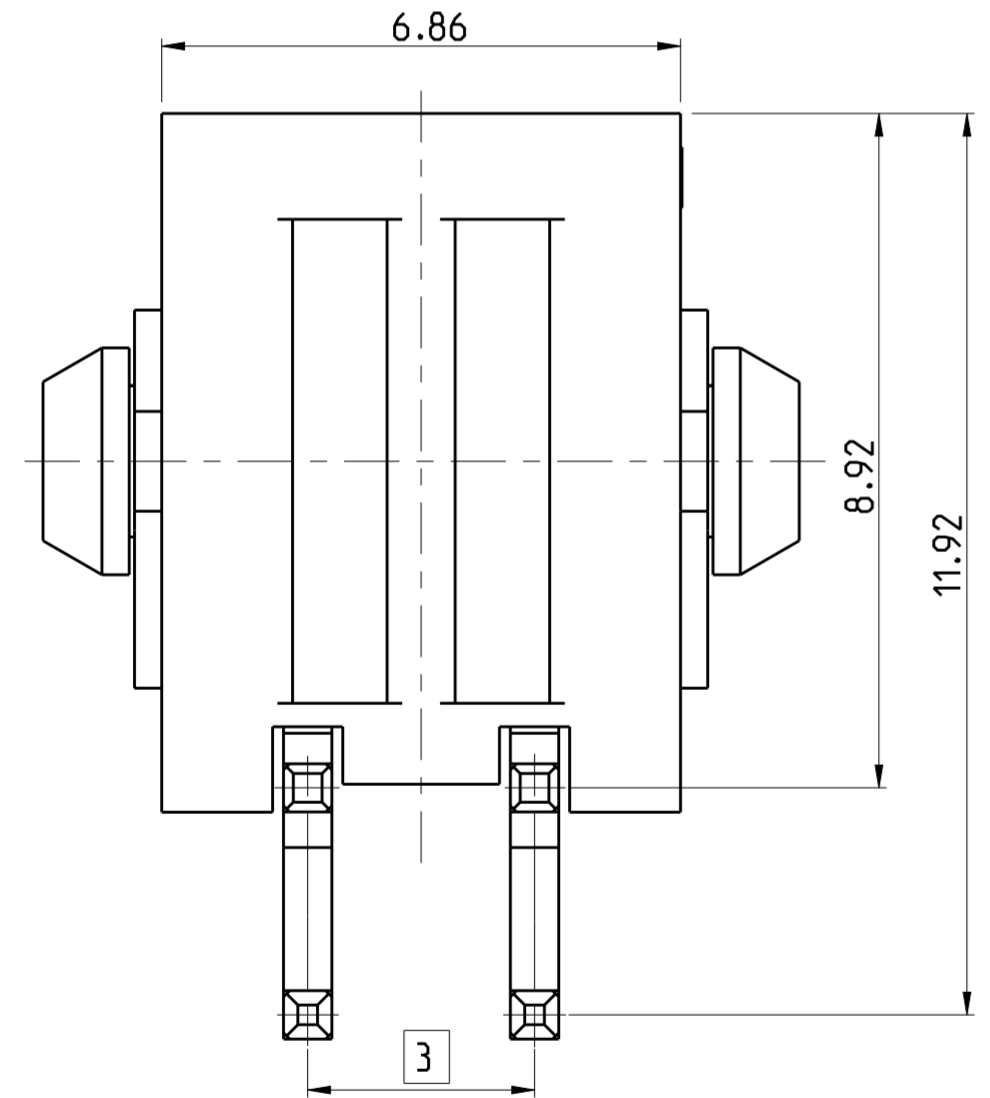
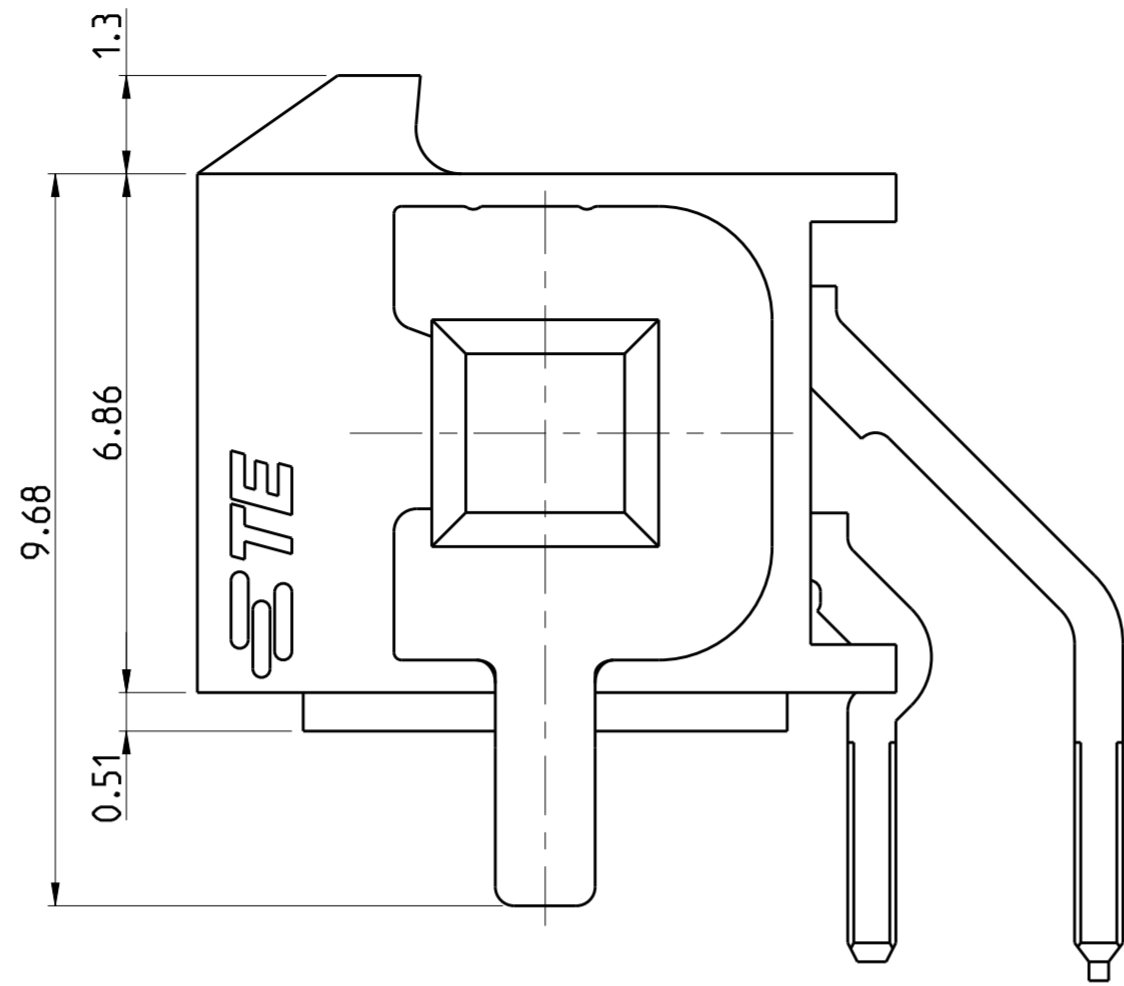
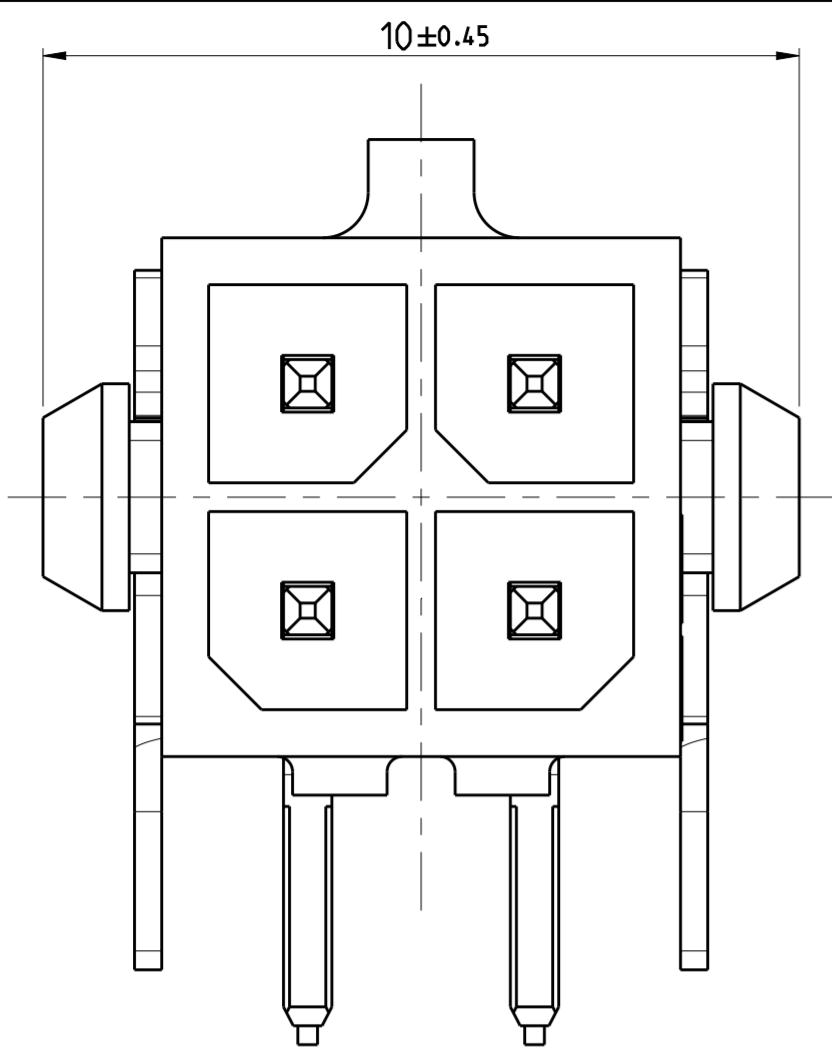
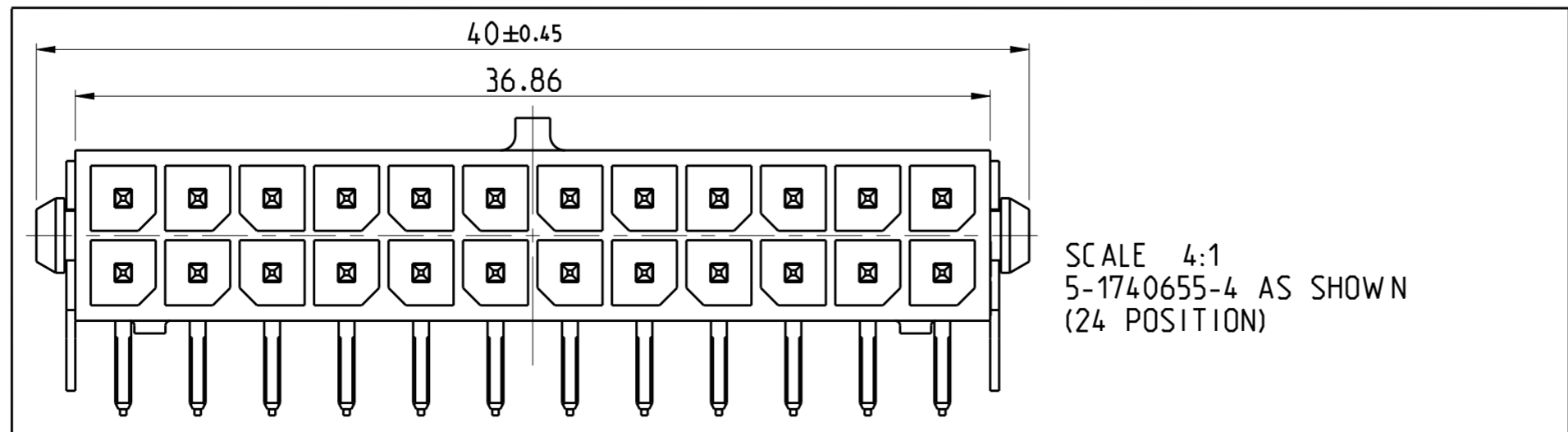


REVISIONS					
P	LTR	DESCRIPTION	DATE	DWN	APVD
B		REVISED PER ECO-15-005484	28JULY2015	SC	DZ
B1		ECO-19-006934	10MAY2019	AP	WS

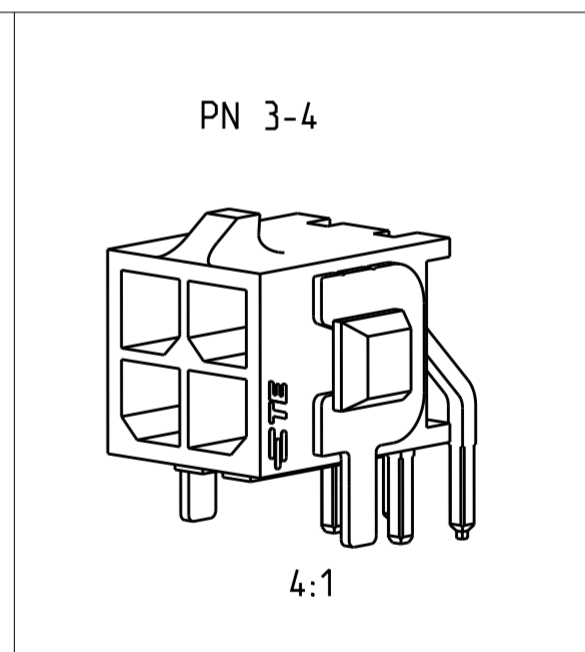
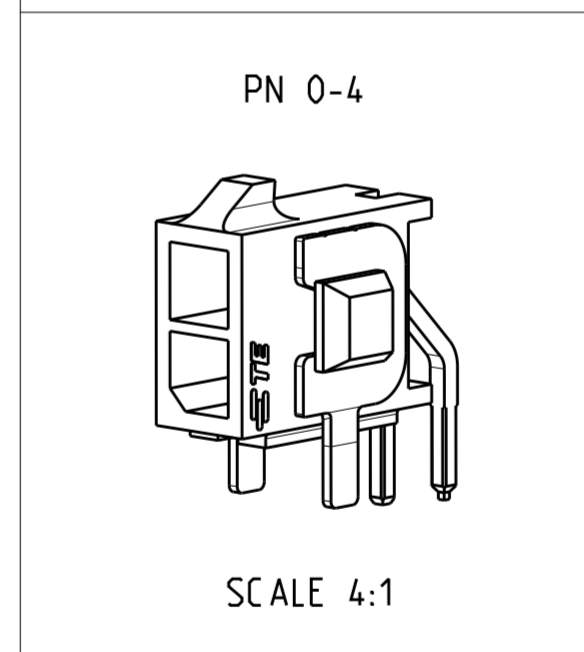
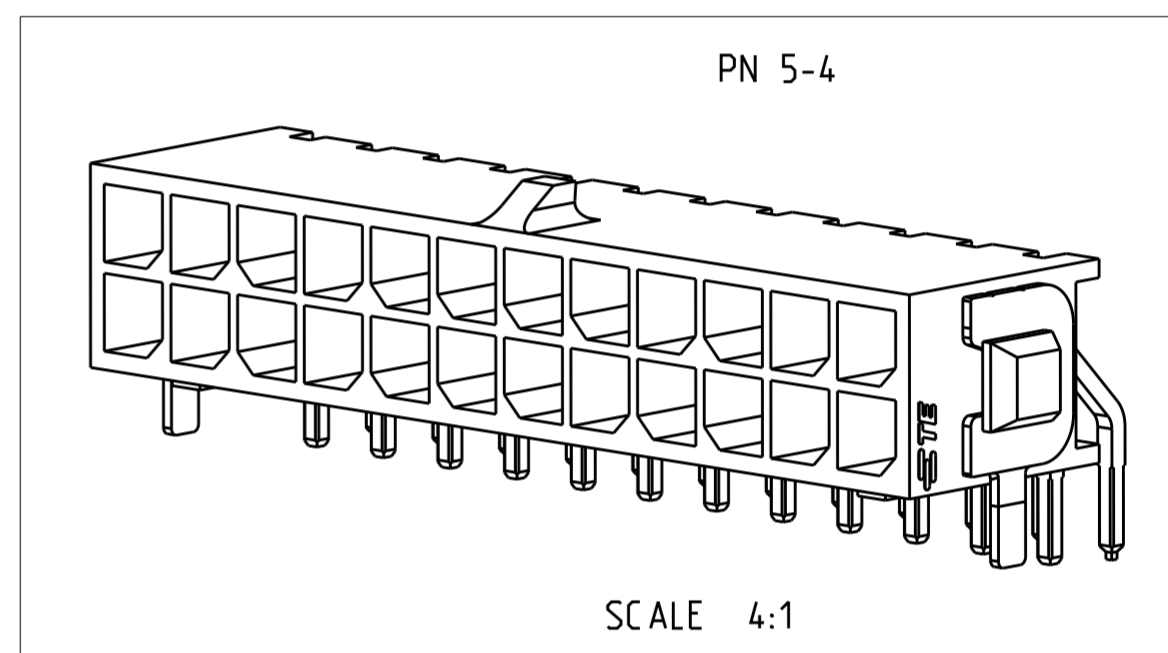


RECOMMENDED PCB LAYOUT (COMPONENT SIDE) <sup>3</sup>



SCALE 4:1  
 5-1740655-4 AS SHOWN  
 (24 POSITION)

- 1 MATERIAL:  
 CONTACTS-BRASS.  
 HOUSING- UL 94V-0 RATED HIGH TEMP NYLON, COLOR; BLACK
- 2 PLATING:  
 CONTACTS-2.54 μm MINIMUM MATTE TIN OVER 1.27 μm MINIMUM NICKEL ALL OVER
- 3 RECOMMENDED PCBOARD THICKNESS TO EN 60249-2-4 TABLE 3 (1.6±0.14)
- 4. ADAPTED TO : MATING CONN PN 794617
- 5. DELIVERED STATE : TAPE AND REEL



-	4.3	<sup>2</sup>	2	0-1740655-4	A
33.0	37.3	<sup>2</sup>	24	5-1740655-4	A
3.0	7.3	<sup>2</sup>	4	3-1740655-4	A
DIM "A" ±0.08	DIM "B" ±0.08	PLATING	NO OF POS	PART NUMBER	REV

THIS DRAWING IS A CONTROLLED DOCUMENT.

DWN PRAVEEN 26-Apr-06	 TE Connectivity	NAME THRU-HOLE, RIGHT ANGLE, TIN HEADER MECHANICAL, BOARDLOCK, DUAL ROW, MICRO MATE-N-LOK
CHK I.GERLACH 26-Apr-06		
APVD I.GERLACH 26-Apr-06		
PRODUCT SPEC 108-1836		
APPLICATION SPEC 114-13000	SIZE A2	CAGE CODE -
WEIGHT -	DRAWING NO. C-1740655	RESTRICTED TO -
CUSTOMER DRAWING	SCALE 10:1	SHEET 1 OF 1