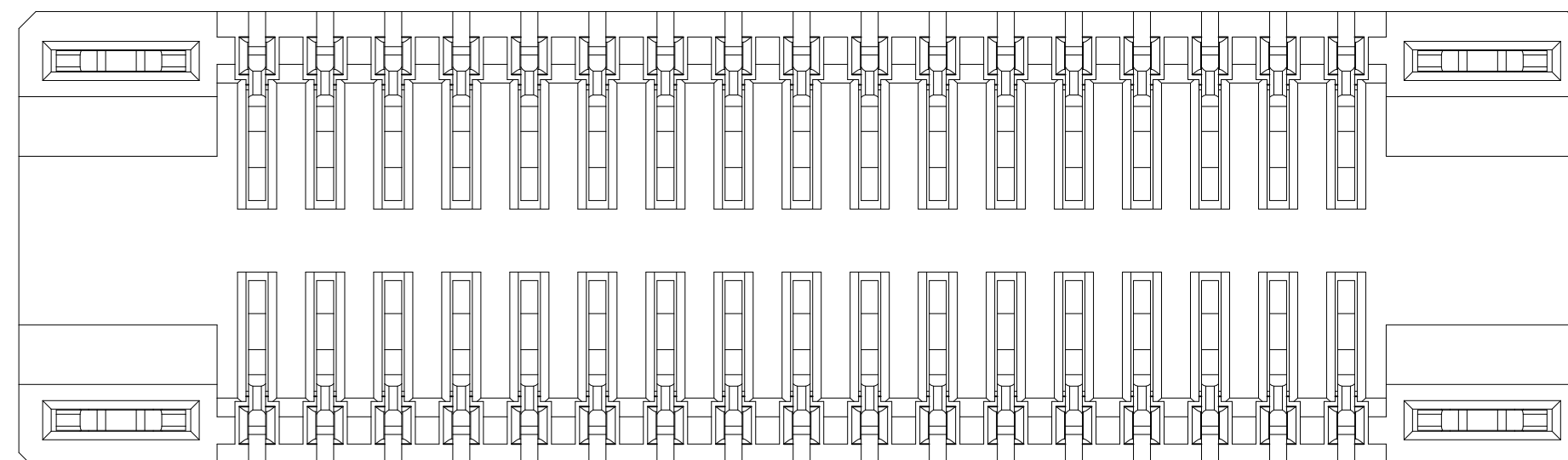
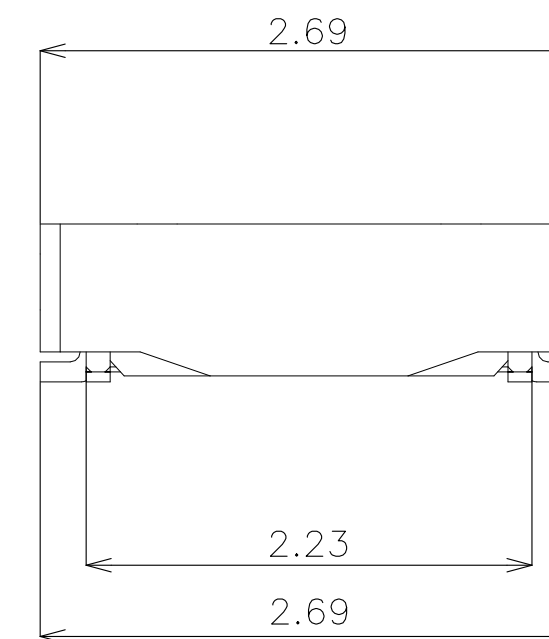
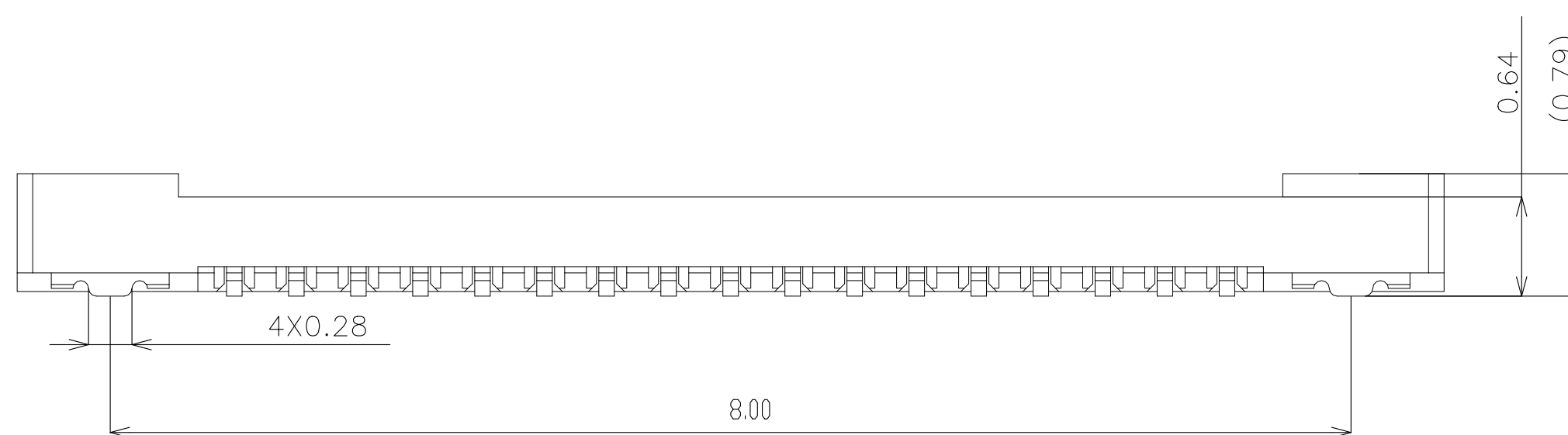
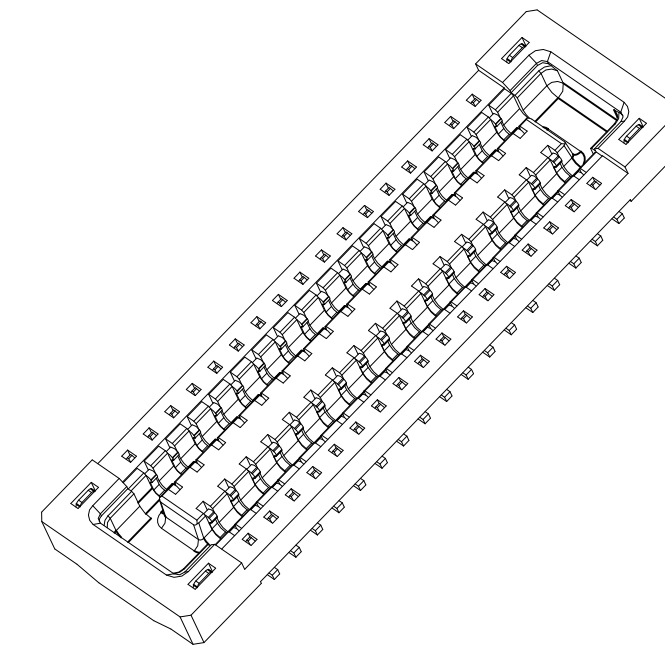
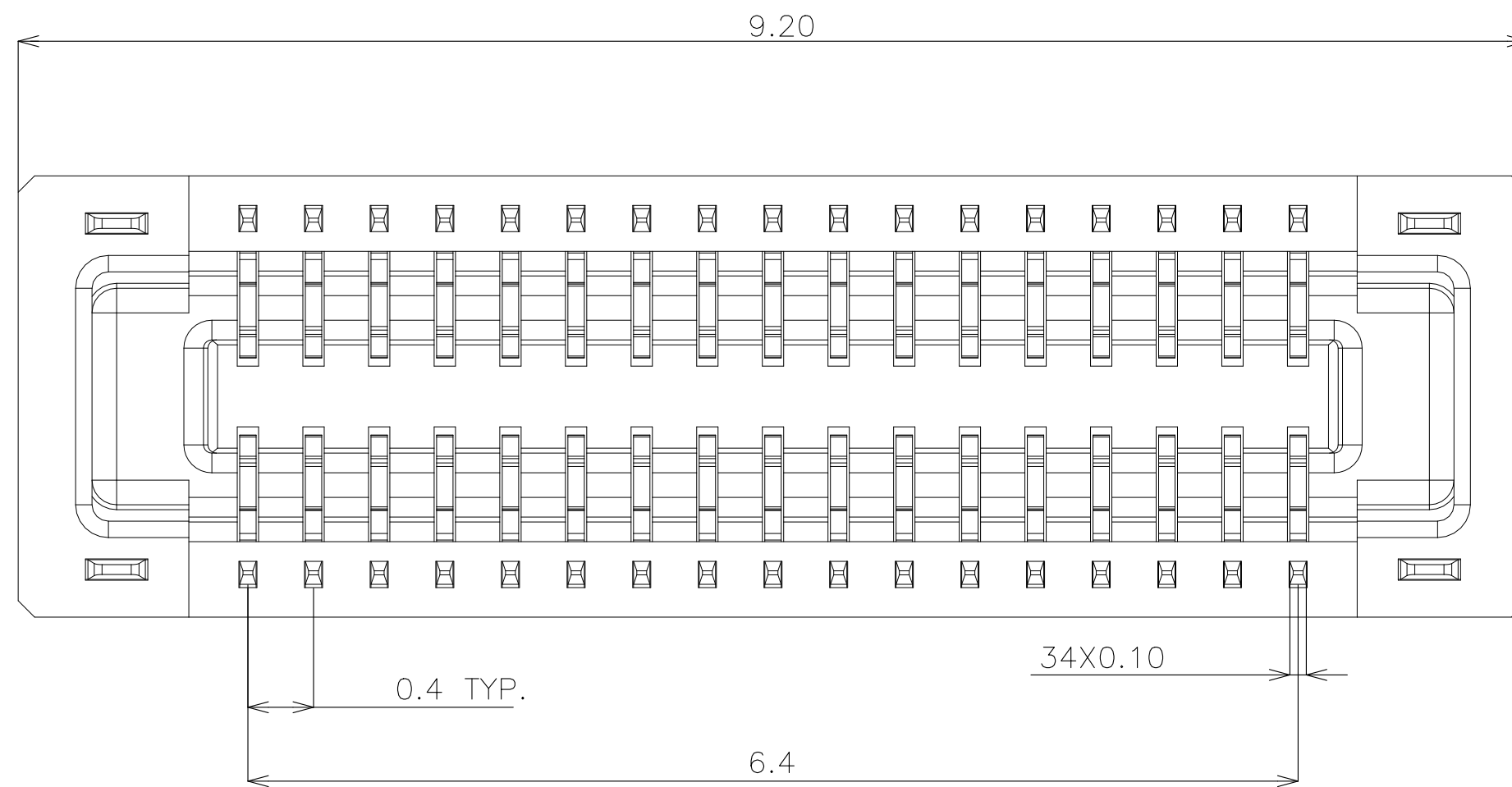


P	LTR	DESCRIPTION	DATE	DWN	APVD
A		FIRST RELEASED	13JUL2021	J.J	N.S

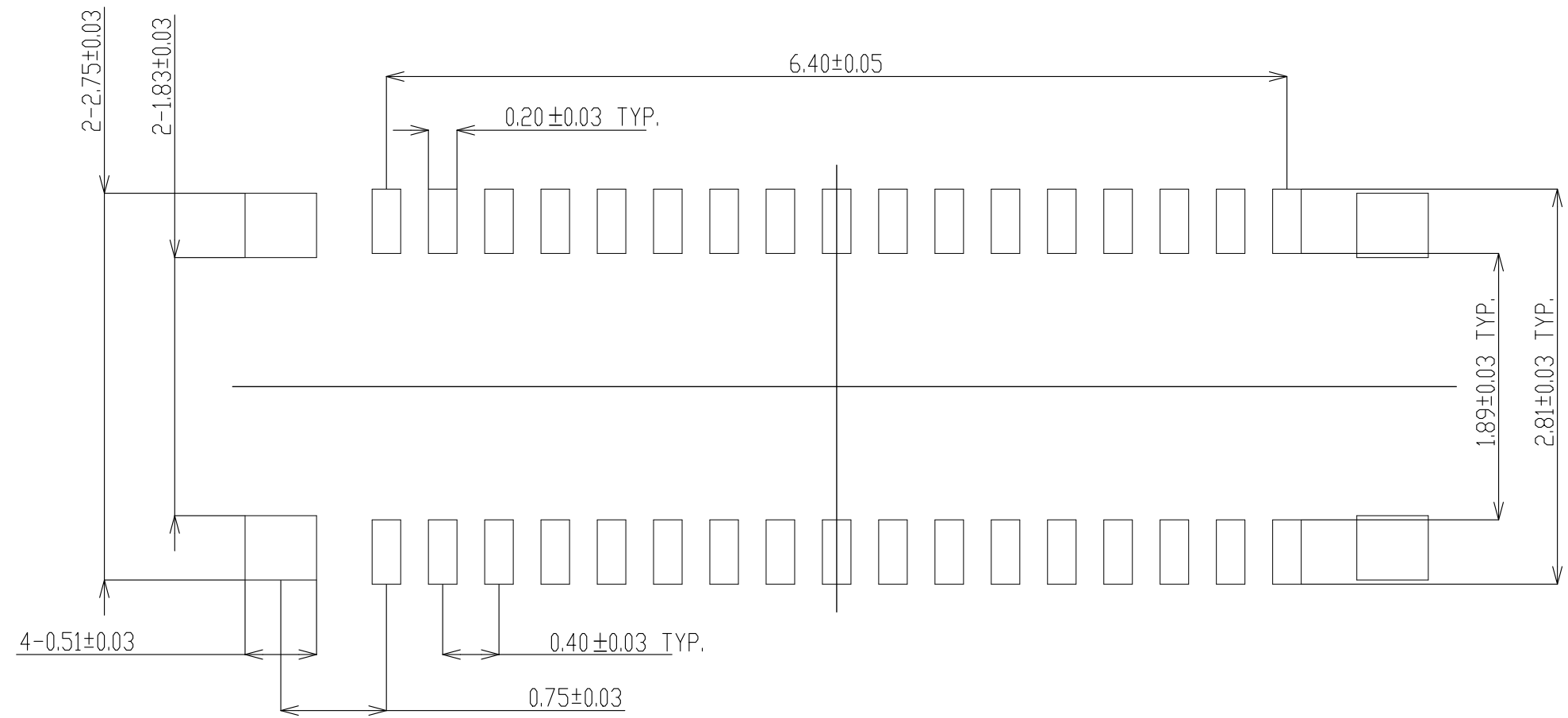


3-2396001-4
PART NUMBER

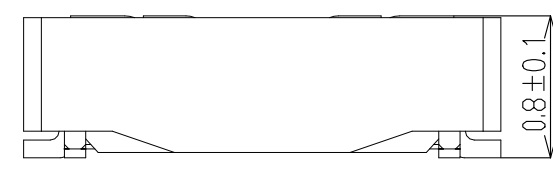
THIS DRAWING IS A CONTROLLED DOCUMENT.		DWN Jone J 17JUN2021	TE Connectivity Ltd.	
DIMENSIONS: mm		CHK Niki S 17JUN2021		
TOLERANCES UNLESS OTHERWISE SPECIFIED:		APVD Niki S 17JUN2021	NAME P0.4 H0.8 BOARD TO BOARD CONN. REC.	
0 PLC ± - 1 PLC ± 0.3 2 PLC ± 0.2 3 PLC ± 0.15 4 PLC ± - ANGLES ± 3		PRODUCT SPEC -	SIZE A2	CAGE CODE 00779
MATERIAL -		FINISH -	WEIGHT -	DRAWING NO C=2396001
CUSTOMER DRAWING			RESTRICTED TO -	SCALE 1:1
			SHEET 1 of 3	REV A

2396001

P	LTR	DESCRIPTION	DATE	DWN	APVD
-	-	SEE SHEET 1	-	-	-



RECOMMENDED P.C.BOARD PATTERN DIMENSION (WITH HOLD DOWN)



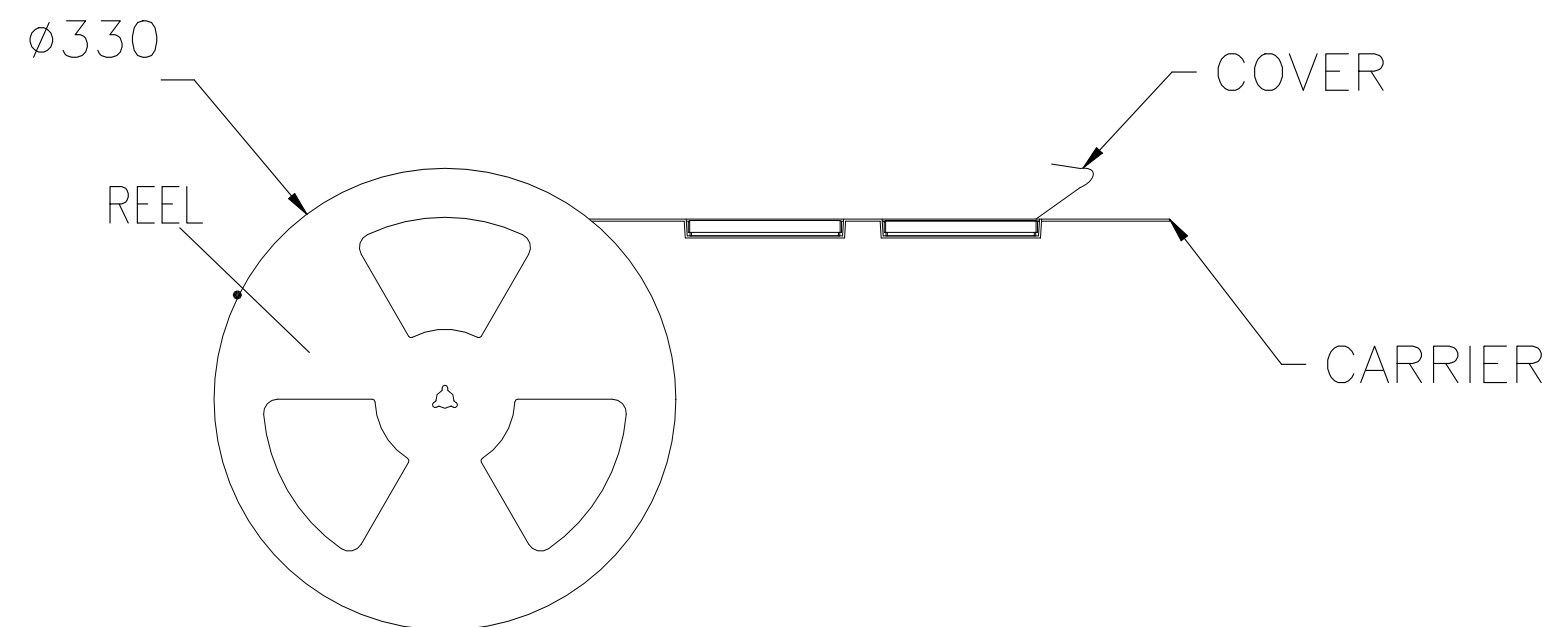
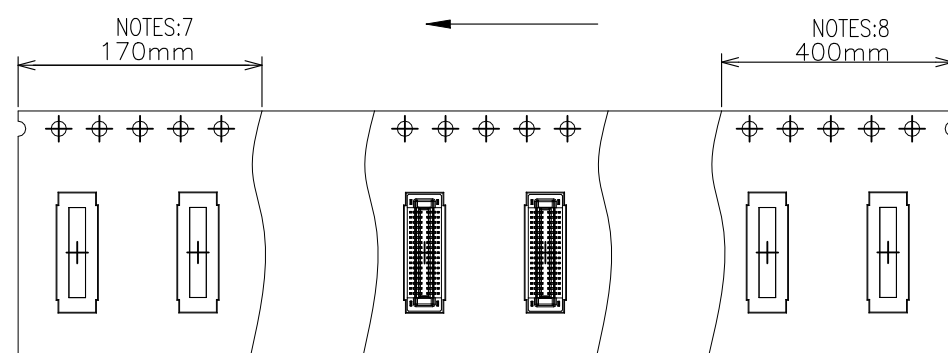
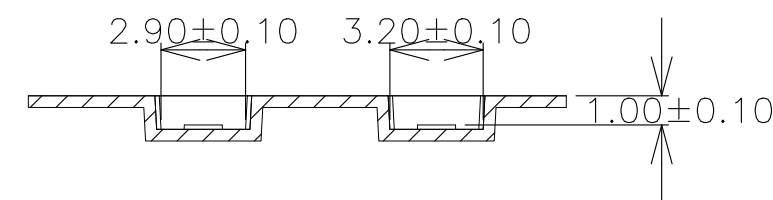
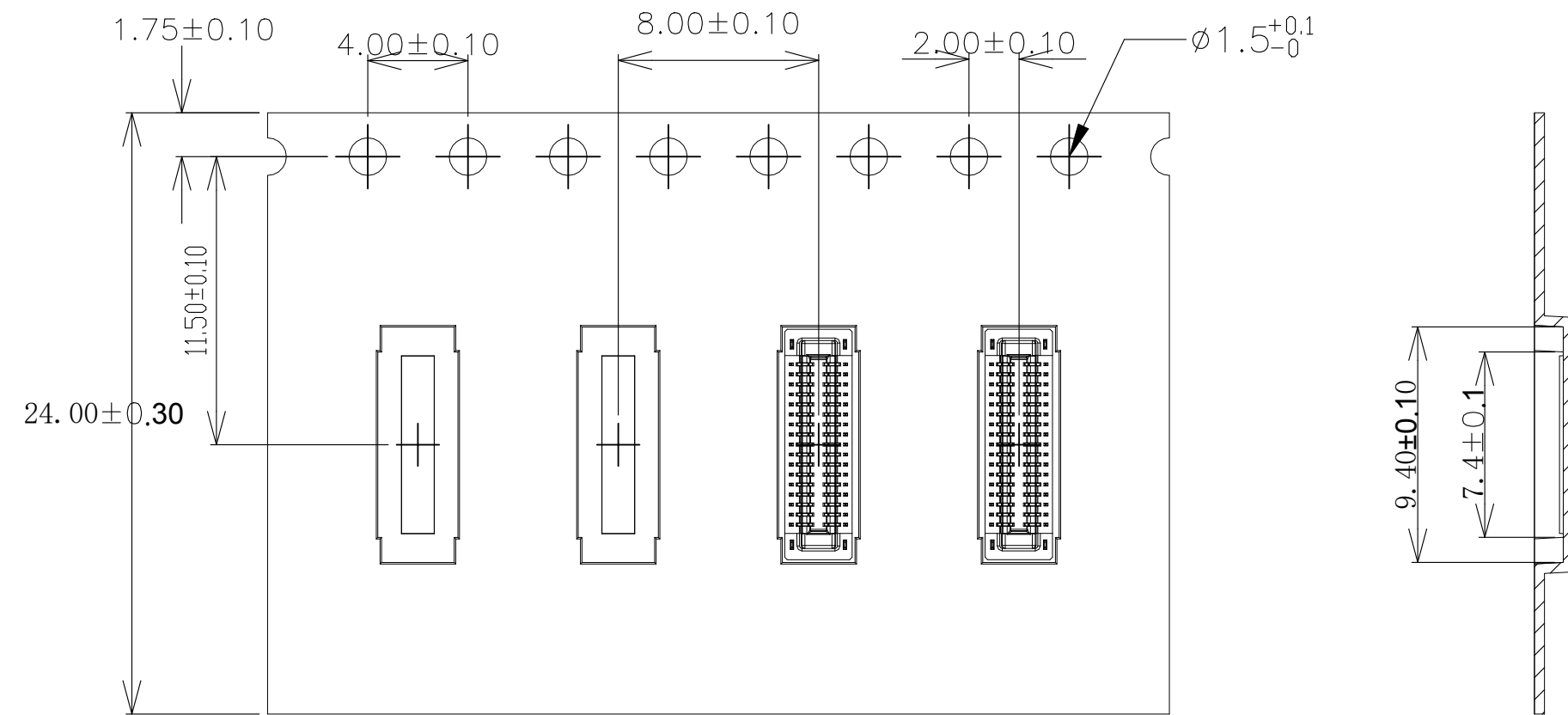
MATING HIGHT

NOTES:

- 1.MATERIAL:
 - 1.1 HOUSING: LCP, UL 94 V-0, COLOR: BLACK.
 - 1.2 CONTACT: COPPER ALLOY.
 - 1.3 HOLD DOWN: COPPER ALLOY.
2. FINISH:
 - 2.1 CONTACT: GOLD FLASH ON CONTACT AND SOLDERING AREA. NICKEL UNDER PLATING OVERALL.
 - 2.2 HOLD DOWN: MATTE TIN PLATING OVER NICKEL UNDER PLATING.
3. REFLOW SOLDER CAPABLE TO 260 °C.
4. MATING PLUG PART NUMBER: 3-2396002-4.

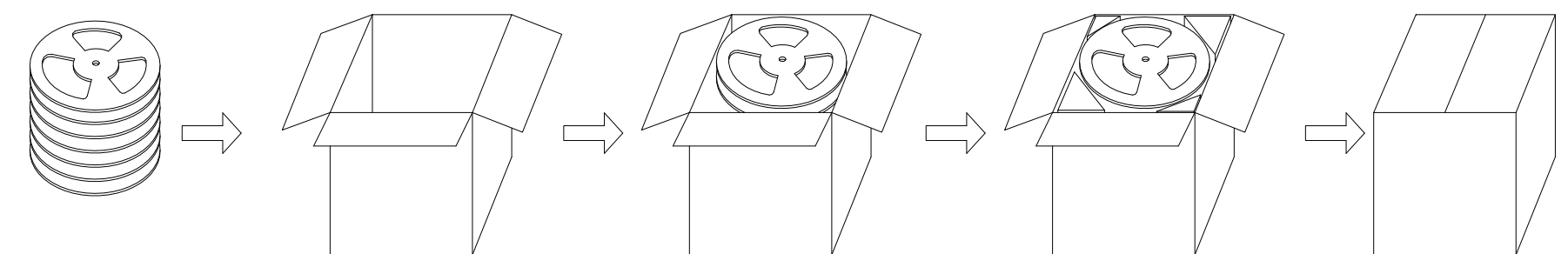
THIS DRAWING IS A CONTROLLED DOCUMENT.		DWN	Jone J	17JUN2021	TE Connectivity Ltd.	
		CHK	Niki S	17JUN2021		
		APVD	Niki S	17JUN2021		
		PRODUCT SPEC				
		APPLICATION SPEC			NAME	P0.4 H0.8 BOARD TO BOARD CONN. REC.
DIMENSIONS: mm		TOLERANCES UNLESS OTHERWISE SPECIFIED:		SIZE		A2
0 PLC ± - 1 PLC ± 0.3 2 PLC ± 0.2 3 PLC ± 0.15 4 PLC ± - ANGLES ± 3		MATERIAL		CAGE CODE		00779
		FINISH		DRAWING NO		C=2396001
		WEIGHT		RESTRICTED TO		-
		CUSTOMER DRAWING		SCALE		1:1
				SHEET		2 of 3
				REV		A

REVISIONS					
P	LTR	DESCRIPTION	DATE	DWN	APVD
-	-	SEE SHEET 1	-	-	-



- NOTES :
- PACKAGING MATERIAL IN PLASTIC, RUBBER, INK, PIGMENT AND PAINT MUST MEET CONTROLLED SUBSTANCES SPEC PER 230-702.
 - * CADMIUM AND CADMIUM COMPOUNDS NOT TO EXCEED: 5 PPM.
 - * LEAD, CADMIUM, CHROM VI AND MERCURY NOT TO EXCEED: 100 PPM (COMBINED).
 - * CARRIER TAPES, COVER TAPES, REELS AND TAPED COMPONENTS MUST MEET THE REQUIREMENTS DEFINED PER EIA-481-C.
- MATERIAL :
COVER TAPE : PET, COLOR: TRANSPARENT.
CARRIER TAPE : POLYSTYRENES, BLACK COLOR.
REEL : POLYSTYRENES, BLUE COLOR.
SHIPPING BOX: CORRUGATED FIBER
 - DIMENSION :
REEL : SEE DRAWING
SHIPPING BOX : SEE DRAWING
 - QUANTITY : SEE TABLE
 - WEIGHT : SEE TABLE
 - PEELING RESISTANCE : 10gf~130gf
 - PEELING SPEED : 300mm/MINUTES

5.742KG	0.66KG	5000	6	30000	3-2396001-4
GROSS WEIGHT	NET WEIGHT	PCS/ REEL	REEL/ BOX	PCS/ BOX	PART NUMBER



OUT BOX PACKAGE DIAGRAM DRAWING

THIS DRAWING IS A CONTROLLED DOCUMENT.		DWN	17JUN2021	TE Connectivity Ltd.	
		CHK	17JUN2021		
		APVD	17JUN2021		
		PRODUCT SPEC			
DIMENSIONS: mm		TOLERANCES UNLESS OTHERWISE SPECIFIED:		NAME	
0 PLC ± - 1 PLC ± 0.3 2 PLC ± 0.2 3 PLC ± 0.15 4 PLC ± - ANGLES ± 3				P0.4 H0.8 BOARD TO BOARD CONN. REC.	
MATERIAL		FINISH		SIZE	RESTRICTED TO
				A2	-
		WEIGHT		CAGE CODE	DRAWING NO
		-		00779	C=2396001
CUSTOMER DRAWING				SCALE	SHEET
				1:1	3 of 3
				REV	A