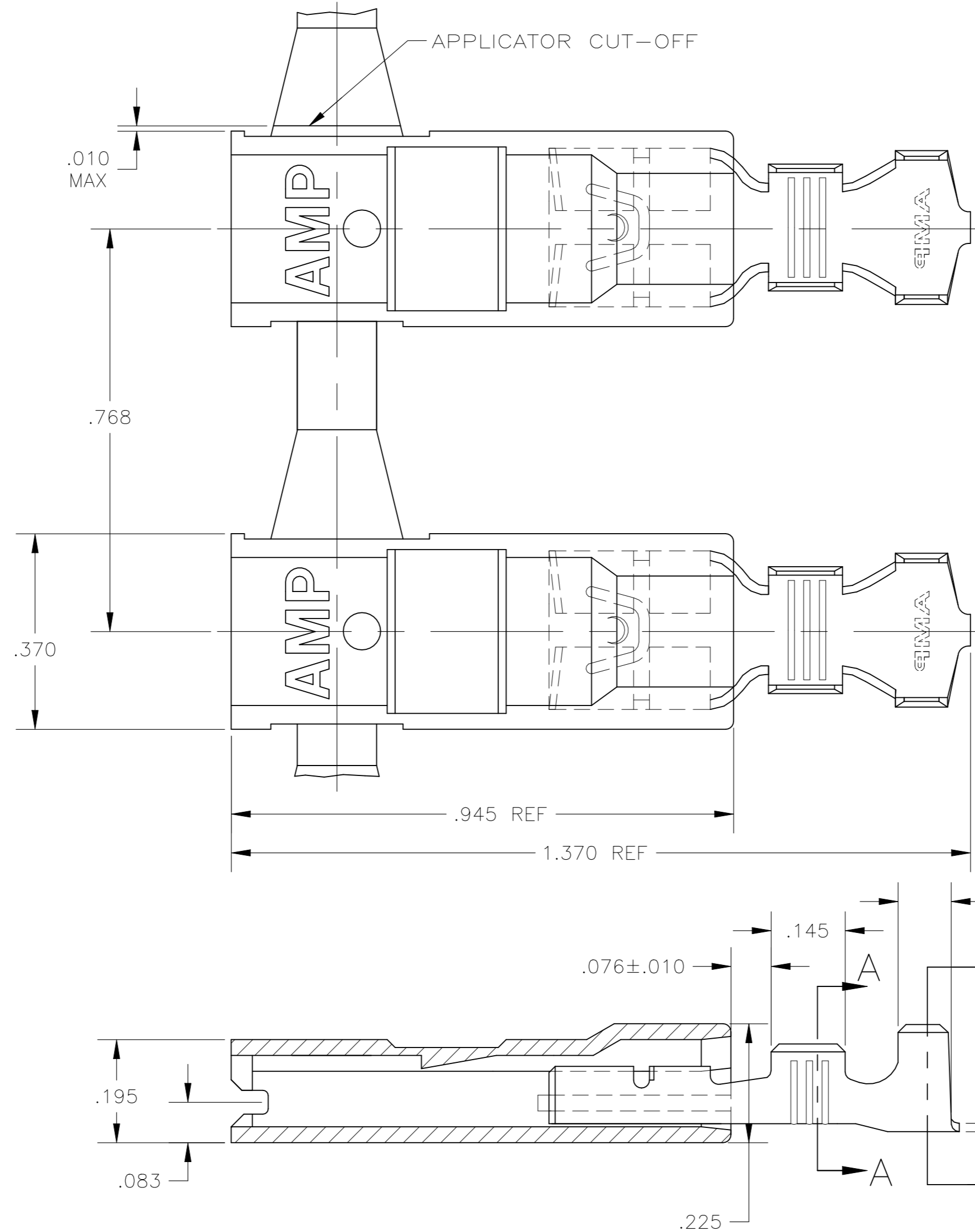
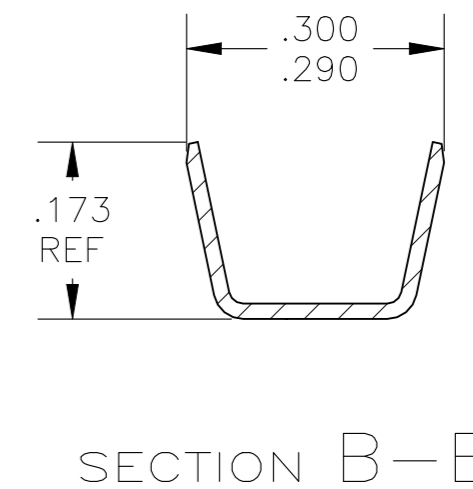
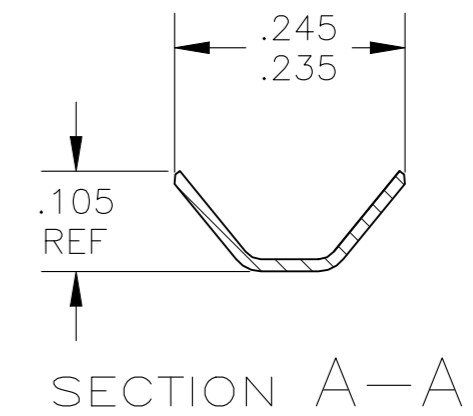


REVISIONS					
P	LTR	DESCRIPTION	DATE	DWN	APVD
C1		REVISED PER ECR-22-160893	15DEC2022	DB	BW



- 1 LOW-INSERTION FASTON TERMINALS ARE USED IN THIS PRODUCT.
- 2 NOTE REMOVED
- 3 WIRE SIZE IS 18-14 OR TWO 18'S AWG
- 4 INSULATION RANGE IS .110-.180 DIA OR TWO .105 MAX DIA
- 5 MATING TAB THK IS .032±.001
- 6 PRELIMINARY - NOT FOR PRODUCTION.
- 7 GLOW WIRE APPROVED; CONTACT TE ENGINEERING FOR SPECIFICATION (ALL WALL THICKNESSES ARE BETWEEN 0.4-3.0[.015-.118])



STANDARD	V2 NYLON, (WHITE)	BRASS - TIN	7 521998-2
STANDARD	V2 NYLON, (WHITE)	BRASS - PLAIN	6 521998-1
PACKAGING	HOUSING MATERIAL & FINISH	TERMINAL MATERIAL & FINISH	PART NO.

THIS DRAWING IS A CONTROLLED DOCUMENT.

DWN	RAGHAVENDRA	31JAN07
CHK	G.D. PORTA	31JAN07
APVD	G.D. PORTA	31JAN07
PRODUCT SPEC	108-1285	
APPLICATION SPEC	114-2124	
WEIGHT	0.000000	A2 00779 C=521998
CUSTOMER DRAWING	SCALE 5:1	SHEET 1 of 1

TE Connectivity

ASSEMBLY, ULTRA-POD, RECEPTACLE, .250 SERIES

RESTRICTED TO