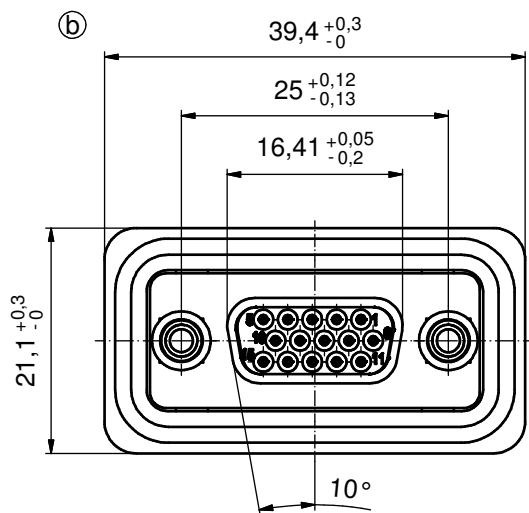
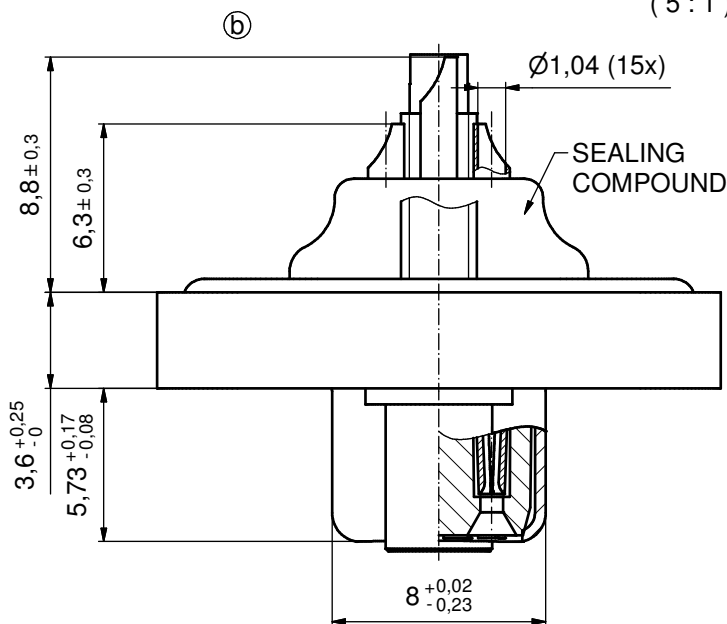


NOTES: (b)

1. RECOMMENDED SOLDER INSTRUCTION SEE SHEET 2
2. METALSHELLS: COPPER ALLOY; min. 315µin TIN over 40-80µin NICKEL
3. INSULATORS: PBT GF UL 94 V-0; BLACK
4. SIGNAL CONTACTS: COPPER ALLOY; PLATING (SEE PART NO.):
  - PLEASE ADD C for 30µin HARD GOLD over min. 50µin NICKEL
  - PLEASE ADD B for 20µin HARD GOLD over min. 50µin NICKEL
  - PLEASE ADD A for GOLD FLASH over NICKEL (PREFERRED TYPE)
 SOLDER CUP ACCEPTS CABLE AWG 22
5. THREADED LOCKS: COPPER ALLOY; min. 200µin TIN over 80µin NICKEL
6. COLLARS: COPPER ALLOY, min. 200µin TIN over 80µin NICKEL
7. FRAME: ZINC DIE CAST; NICKEL PLATED
8. STUD BOLTS / 4-40 UNC: STEEL; TIN PLATED
9. O-RING: SILICON; BLUE
10. SEALING COMPOUND: PUR; BLUE
11. RECOMMENDED PANEL CUT-OUT ON SHEET 2
12. RECOMMENDED TORQUE FOR STUD BOLT  
35Ncm (3,1 in.LB) / max. 40Ncm (3,5 in.LB)
13. CONNECTOR IS PART MARKED:  
**6HDD15S□M99B70X CONEC ABC** (see note 4)

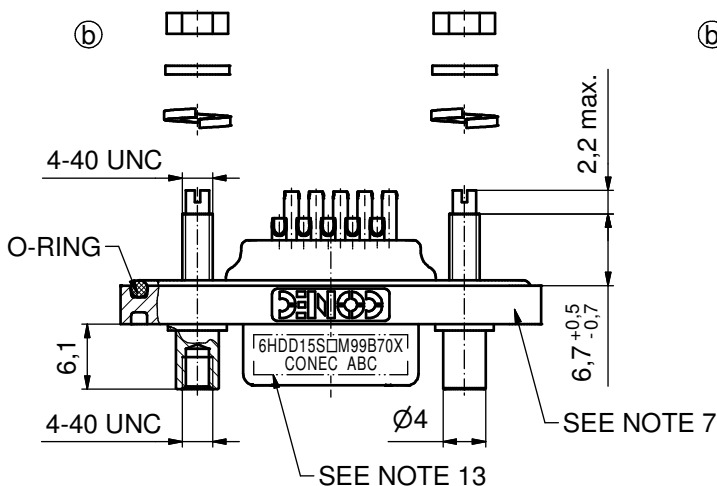
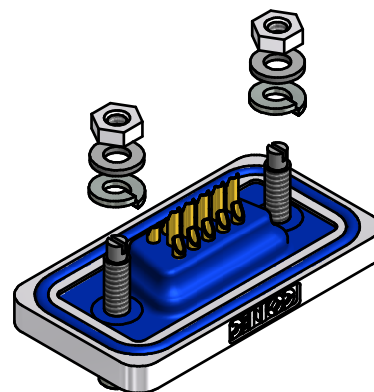
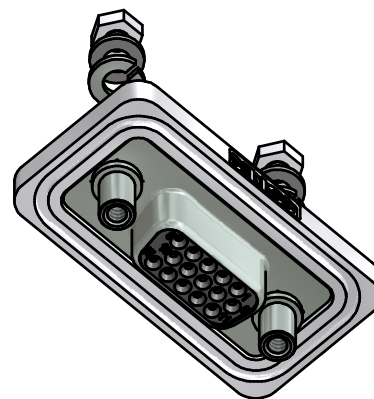
AT ALL TIMES WATER RESISTANT CONNECTORS NOT IN USE SHOULD BE COVERED WITH A CONEC WATER RESISTANT CAP OR WATER TIGHT HOOD.

(5:1)




CONNECTOR WILL BE SUPPLIED WITH:

- 2 x NUTS
- 2 x FLAT WASHERS
- 2 x SPRING WASHERS



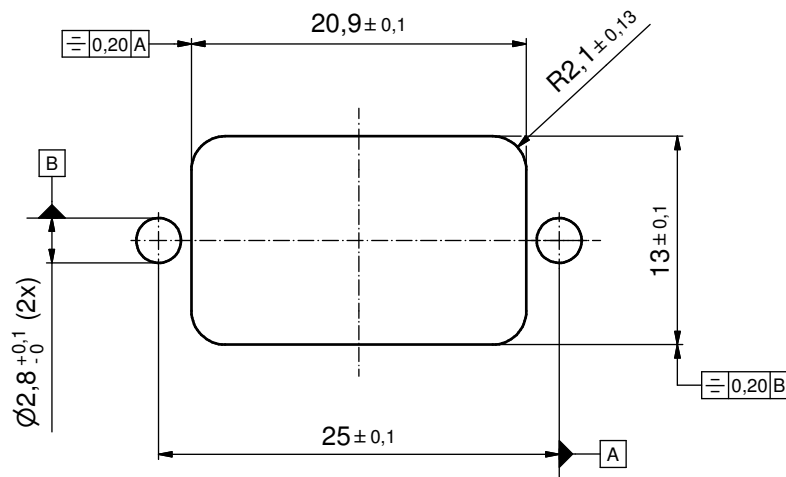
Directive 2002/95/EC RoHS compliant

THIS DRAWING MAY NOT BE COPIED OR REPRODUCED IN ANY WAY, AND MAY NOT BE PASSED ON TO A THIRD PARTY WITHOUT WRITTEN PERMISSION. OWNERSHIP AND COPYRIGHT OF CONEC GmbH DO NOT ALTER CAD DRAWING BY HAND	tolerance		dim. in mm		scale:	2:1 (5:1)
					material:	SEE NOTES
	drawn	15.07.13	Lehmenkühler		title: <b>D-SUB HD FEMALE</b> 15pos. SOLDER CUP with threaded lock and 4-40 UNC stud bolt	
	appd.	15.07.13	Fischer			
	norm					
d-old	18K1A366		dwg no:		DIN-A3	
6 x b	A5223	26.05.2014	K.H.	dwg no: <b>15K1A1341</b>		sh: 1/2
a	Original					
rev.	description	date	name			part no: <b>6HDD15S□M99B70X</b> (see note 4)

## Solder Instruction

1. Cable should be prepared for soldering. The cable/wires must be pretinned.
2. Insert cable/wire into solder cup.
3. Operate the soldering iron at 350 °C, 50 Watt max. and use a pencil tip.
4. Put tip to wire in solder cup.
5. After 1 second bring in solder.
6. Heat for 3 seconds longer. Do not heat contact more than 4 seconds in total.
7. Remove soldering iron.
8. Wait until solder gets rigid again.
9. Do not solder adjacent contacts consecutively,  
alternate position within the connector to minimize heat build up.

## RECOMMENDED PANEL CUT-OUT



THIS DRAWING MAY NOT BE COPIED OR REPRODUCED IN ANY WAY, AND MAY NOT BE PASSED ON TO A THIRD PARTY WITHOUT WRITTEN PERMISSION. OWNERSHIP AND COPYRIGHT OF CONEC GmbH  DO NOT ALTER CAD DRAWING BY HAND				tolerance		scale: 3:1
				date	name	material: SEE SHEET 1
				drawn	15.07.13	Lehmenkühler
				appd.	15.07.13	Fischer
				norm		
				d-old		
				rev.		
a	Original		<b>CONEC</b> <sup>®</sup>			title: RECOMMENDED PANEL CUT-OUT D-SUB HD FEMALE 15pos. SOLDER CUP with threaded lock and 4-40 UNC stud bolt
rev.	description	date				name
						part no: SEE SHEET 1