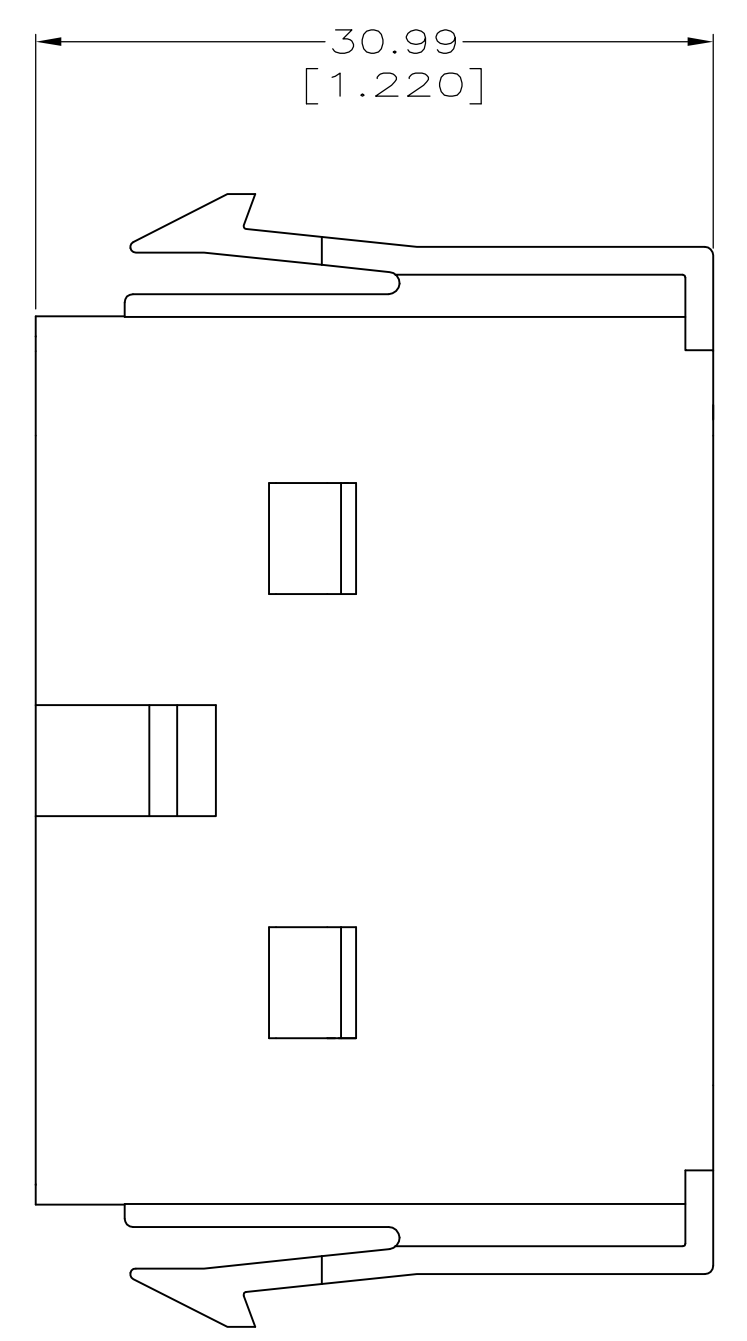
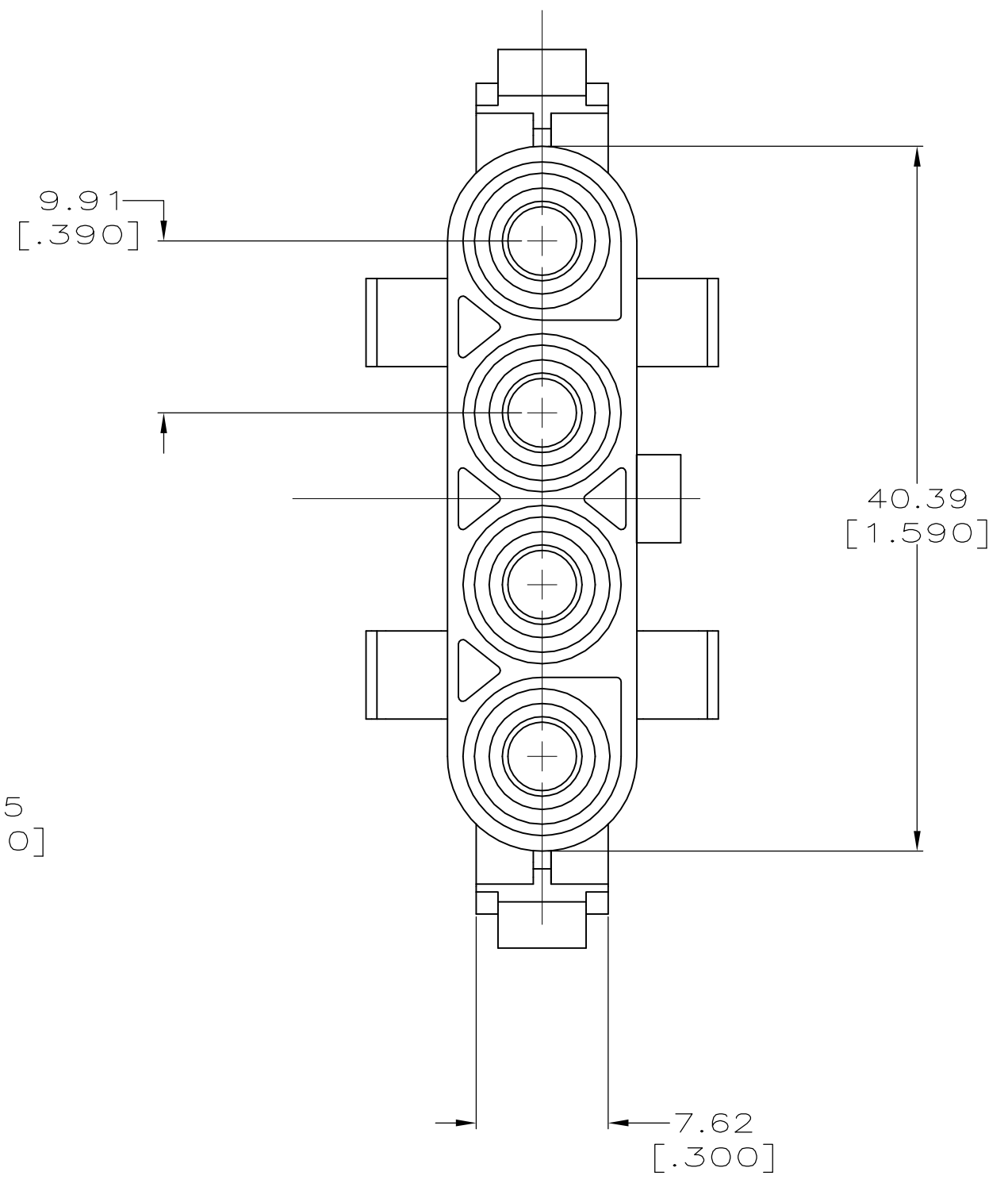
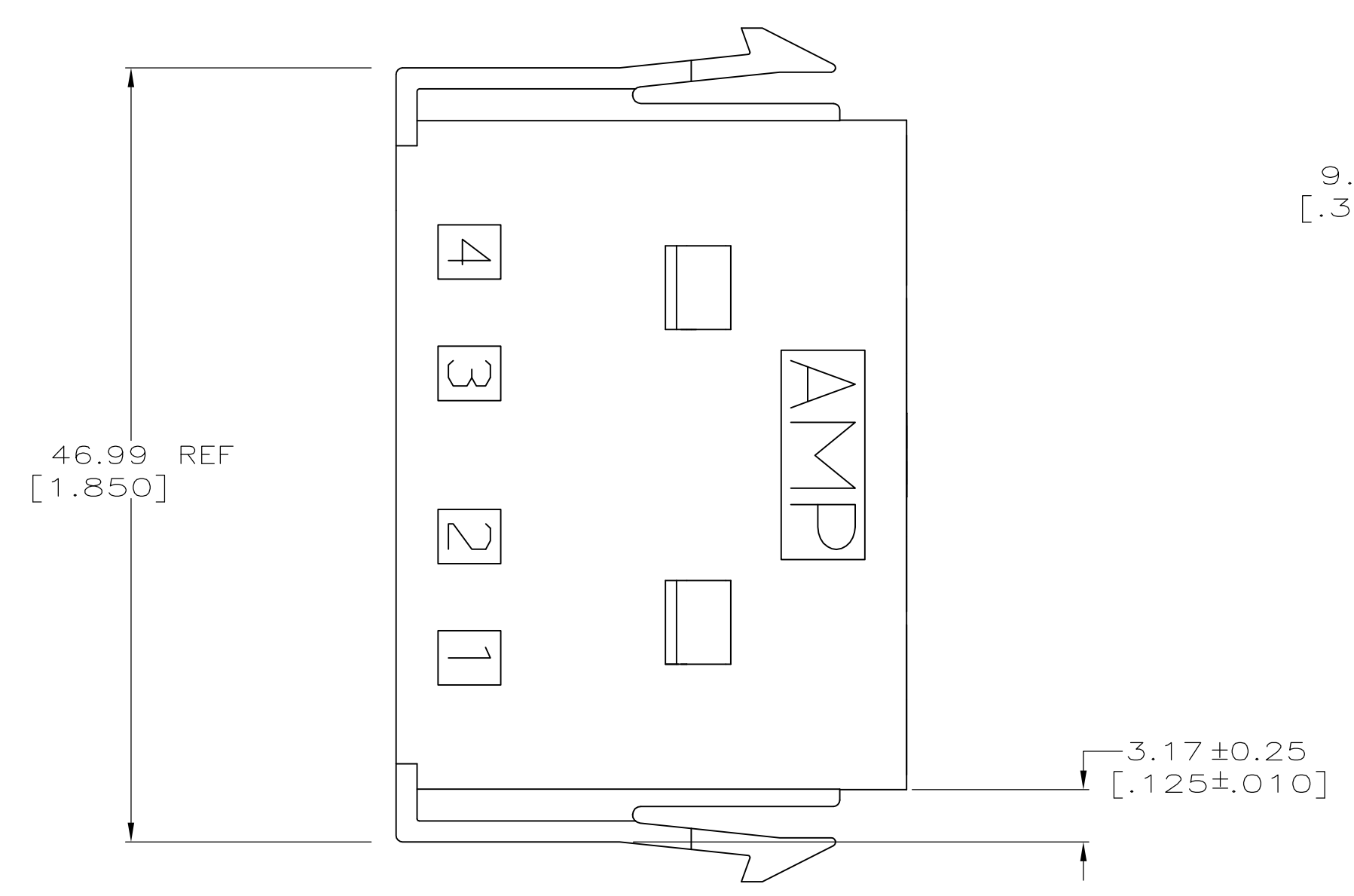
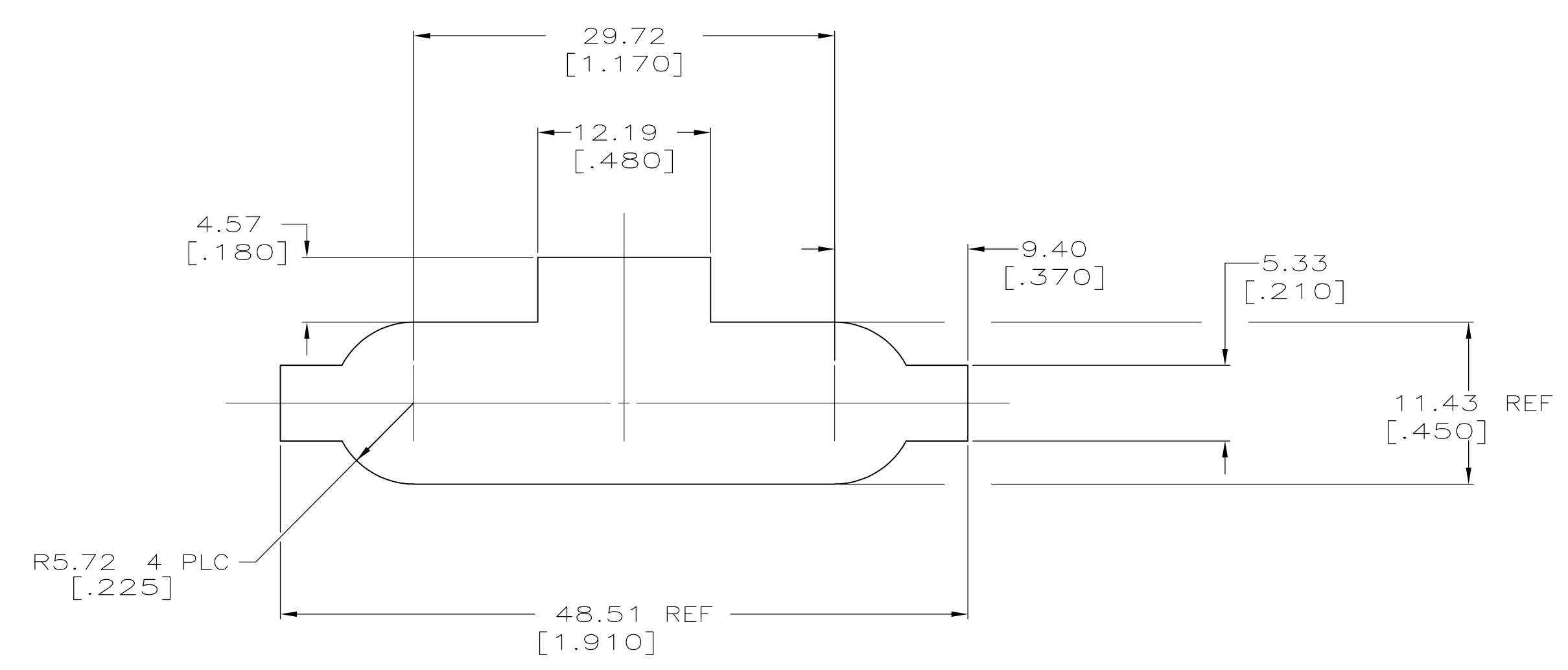
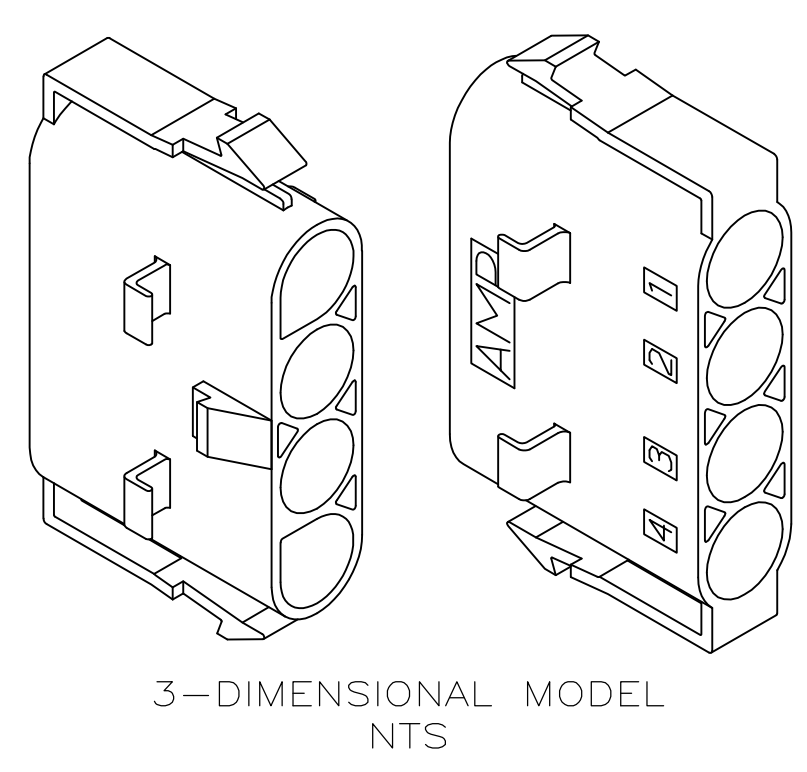
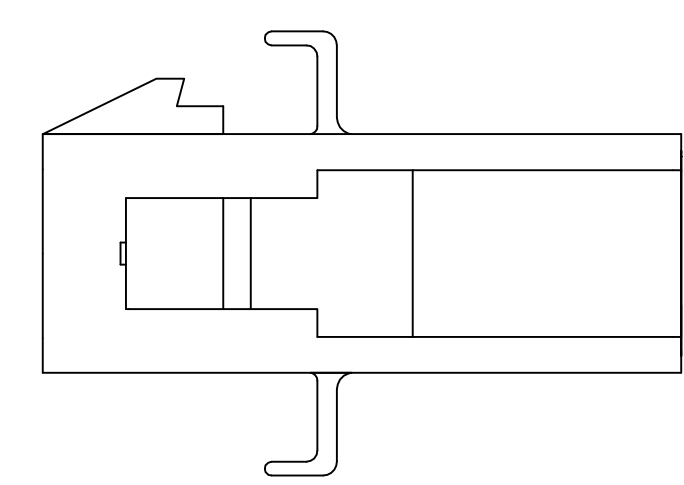


LOC		DIST		REVISIONS			
CM	53	TR	LTR	DESCRIPTION	DATE	DWN	APVD
		C1		REV PER ECR-14-014875	10DEC2015	SC	DZ



1. TO BE USED WITH APPROPRIATE .156 MATE-N-LOK PINS.
 2. PANEL MUST BE PUNCHED SO THAT THE HOUSING ENTERS THE PANEL IN THE SAME DIRECTION AS THE PUNCH.
 3. DIMENSIONS IN BRACKETS ARE IN INCHES.
- ⚠ PRELIMINARY PART NOT RELEASED FOR PRODUCTION.



RECOMMENDED CUT OUT FOR 0.76 [.030] TO 2.29 [.090] THICK PANEL

794118-2
 794118-1
 PART NUMBER

THIS DRAWING IS A CONTROLLED DOCUMENT.		DWN B. LEWIS 4-19-96	AMP Incorporated Harrisburg, PA 17105-3608
DIMENSIONS: INCHES		CHK R. SWING 4-19-96	NAME CAP, PANEL MOUNT, 4 CIRCUIT, .156, MATE-N-LOK™
TOLERANCES, UNLESS OTHERWISE SPECIFIED:		APVD C. MARTIN 4-30-96	PRODUCT SPEC
0 PLC ± .010		APPLICATION SPEC	SIZE A1 00779
1 PLC ± .005		WEIGHT	CAGE CODE 794118
2 PLC ± .002		CUSTOMER DRAWING	DRAWING NO 794118
3 PLC ± .001			SCALE 3:1
4 PLC ± .0005			SHEET 1 OF 1
ANGLES 40° 30'			REV C1

