

821K YYY - 2 1 3 R 00 1

SERIES 13.00 [0.512]

# OF POSITIONS (Ex. 002) \*\*SEE CHART A\*\*

2 = FEMALE

VERTICAL (PANEL MOUNT)

1 = GOLD FLASH

RoHS COMPLIANT

NICKEL/CHROME PLATED SHELL

CHARACTERISSTICS

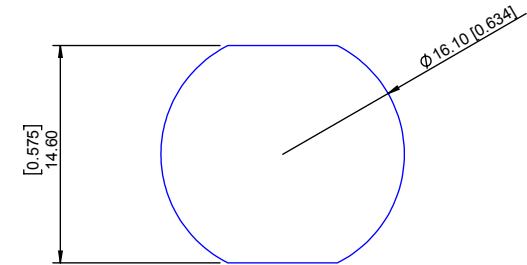
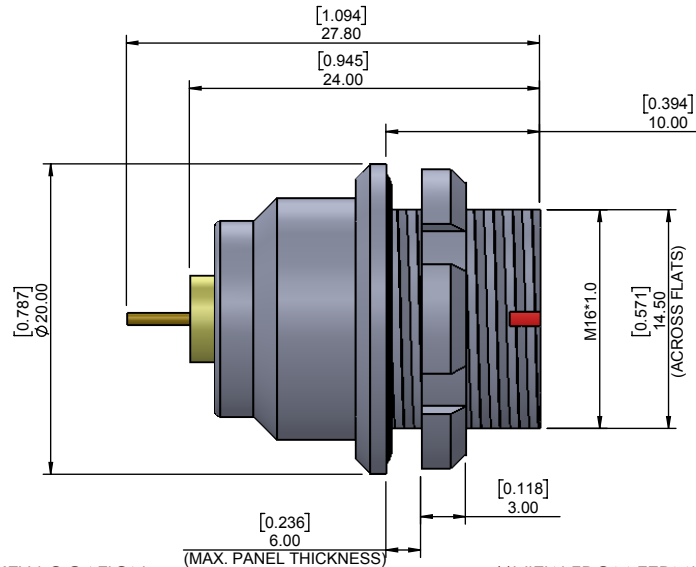
MATERIALS

SHELL : BRASS  
 SHELL PLATING : NICKEL  
 NUT : BRASS  
 NUT PLATING : NICKEL  
 LATCH SLEEVE : BRASS  
 LATCH SLEEVE PLATING : NICKEL  
 CONTACTS : COPPER ALLOY  
 CONTACT PLATING : 7µ" GOLD PLATED OVER 196µ" NICKEL MIN.  
 INSULATOR : PPS (HIGH TEMPERATURE)  
 O-RING : SILICONE

MECHANICAL

DURABILITY: 5000 CYCLES  
 OPERATING TEMP. RANGE: -40° C ~ +200° C  
 PROCESS TEMPERATURE : 260° C FOR 5 SECONDS  
 MAX. TORQUE VALUE : 7.0 Nm [61.0 IN/lbs]  
 SHIELDING: 75dB @ 10MHz  
 40dB @ 1GHz

IP RATING: 67



PANEL CUTOUT

TOLERANCE = +0.10, -0.0  
 [+0.004, -0.00]

CHART A

● = KEY LOCATION

\*\*VIEW FROM TERMINATION END\*\*

 2 POSITION 15 AMP MAX. PIN Ø = 1.30 [0.051]	 3 POSITION 12 AMP MAX. PIN Ø = 1.30 [0.051]	 4 POSITION 10 AMP MAX. PIN Ø = 0.90 [0.035]	 5 POSITION 9 AMP MAX. PIN Ø = 0.90 [0.035]	 6 POSITION 7 AMP MAX. PIN Ø = 0.70 [0.028]	 7 POSITION 7 AMP MAX. PIN Ø = 0.70 [0.028]
CONTACT RESISTANCE = 5 mΩ TEST VOLTAGE = 1500V WORKING VOLTAGE = 500V	CONTACT RESISTANCE = 5 mΩ TEST VOLTAGE = 1300V WORKING VOLTAGE = 430V	CONTACT RESISTANCE = 6 mΩ TEST VOLTAGE = 1300V WORKING VOLTAGE = 430V	CONTACT RESISTANCE = 6 mΩ TEST VOLTAGE = 1250V WORKING VOLTAGE = 415V	CONTACT RESISTANCE = 7.5 mΩ TEST VOLTAGE = 1050V WORKING VOLTAGE = 350V	CONTACT RESISTANCE = 7.5 mΩ TEST VOLTAGE = 950V WORKING VOLTAGE = 315V

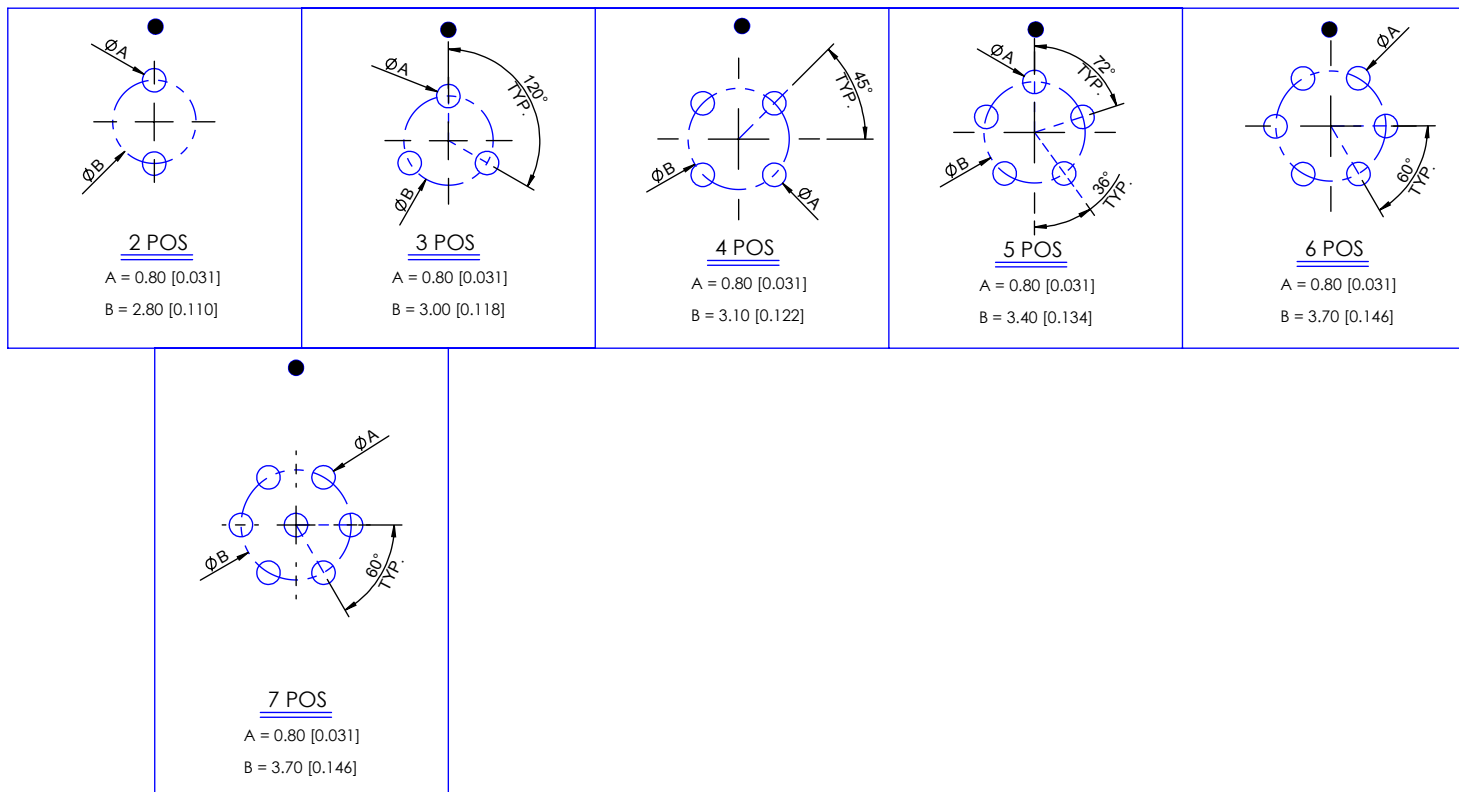
**\*\*NOTE\*\***  
 SEE PAGE 2 FOR  
 BOARD LAYOUTS

RoHS COMPLIANT

	THESE DRAWINGS AND SPECIFICATIONS ARE THE PROPERTY OF NorComp AND SHALL NOT BE REPRODUCED, COPIED OR USED AS THE BASIS FOR THE MANUFACTURE OR SALE OF APPARATUS WITHOUT WRITTEN PERMISSION.	<h1>NorComp</h1>	DRAWN:	DATE:	SCALE:	SHEET	OF	REV:	
			M. SIGMON	02-25-16	N.T.S.	1	2	2	
						DWG NO.	821KYYY-213R001		

# BOARD LAYOUTS

● = KEY LOCATION



**RoHS COMPLIANT**



THESE DRAWINGS AND SPECIFICATIONS ARE THE PROPERTY OF NorComp AND SHALL NOT BE REPRODUCED, COPIED OR USED AS THE BASIS FOR THE MANUFACTURE OR SALE OF APPARATUS WITHOUT WRITTEN PERMISSION.

NorComp

DRAWN:  
M. SIGMON

DATE:  
02-25-16

SCALE:  
N.T.S.

SHEET OF  
2 2

REV:  
2

DWG NO.  
821KYYY-213R001