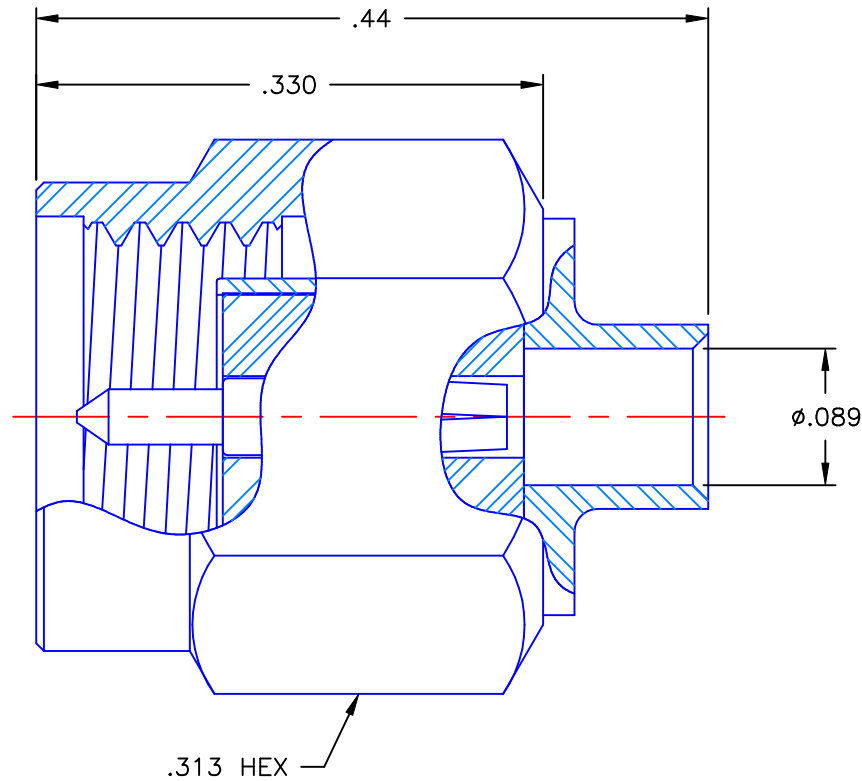


| REVISIONS | | | |
|-----------|-----------------|----------|----------|
| REV | DESCRIPTION | DATE | APPROVED |
| A | INITIAL RELEASE | 12/15/10 | D.N. |




NOTES:

MATERIALS:

1. BODY & COUPLING NUT = STAINLESS STEEL PER ASTM A582, ALLOY 303, CONDITION "A".
2. INSULATOR = VIRGIN WHITE TEFLON PER ASTM D1710, GRADE 1, TYPE I, CLASS "B".
3. CONTACT & RETAINING RING = BERYLLIUM COPPER PER ASTM B196, ALLOY C17300, TEMPER TD04.
4. GASKET = SILICONE RUBBER PER ZZ-R-765, CLASS 2B, GRADE 65-75.

FINISHES:

1. BODY = GOLD PLATE PER MIL-G-45204, TYPE II, CLASS 0, GRADE C, OVER .000050 TO .00010 STRESS FREE NICKEL PER QQ-N-290.
2. CONTACT = GOLD PLATE PER MIL-G-45204, TYPE II, CLASS 1, GRADE C, OVER .00010 TO .00020 STRESS FREE SULFAMATE NICKEL PER QQ-N-290.
3. COUPLING NUT = PASSIVATE PER QQ-P-35, TYPE VI.

| | | | |
|---|-----------------------|----------|---|
| UNLESS OTHERWISE SPECIFIED DIMENSIONS ARE IN INCHES TOLERANCES ON | DWN: | DATE |  Property of Radiall This document cannot be reproduced or communicated to a third party without prior written permission of RADIALL. |
| | D.N. | 12/15/10 | |
| DECIMAL | ANGLE | CHKD: | SMA STRAIGHT PLUG DIRECT SOLDER TYPE FOR .085 S/R AND SIMILAR CABLES |
| | | M.J. | |
| | | APVD: | SIZE FSCM NO. DWG NO. REV A 19505 9401-1583-010 A |
| | | J.M. | |
| REFERENCE: | MATERIALS & FINISHES: | | SCALE 8:1 |
| ORIGINATOR: D.N. DATE: 12/15/10 | SEE NOTES | | SHEET 1 OF 1 |

9401-1583-010