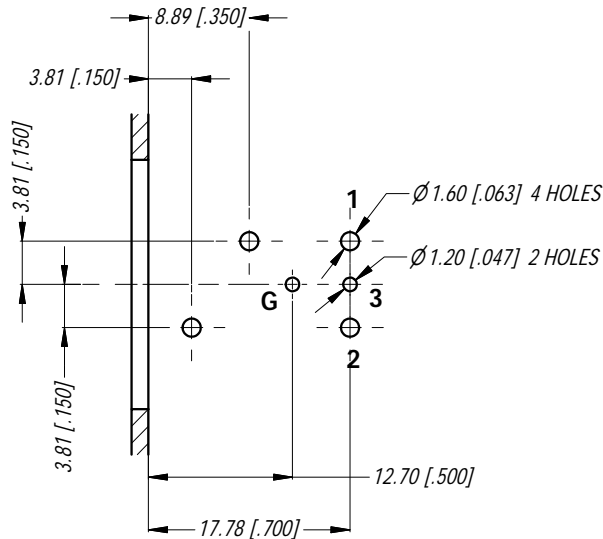


MIN MOUNTING PITCH (1:1)

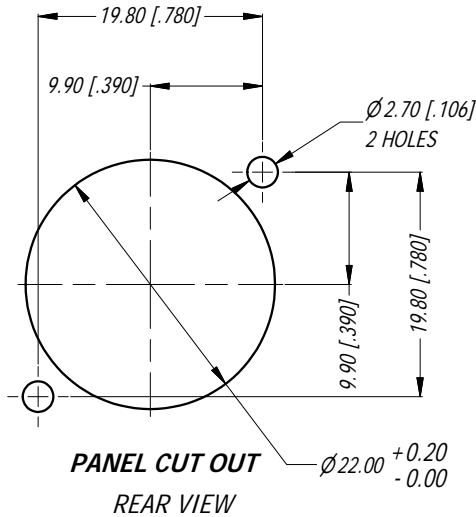


PCB LAYOUT

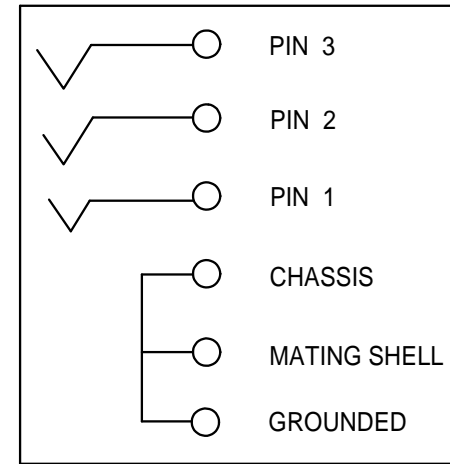
TOLERANCE: ± 0.05 [± 0.002]

NOTE: DIMENSIONS IN PARENTHESES ARE IN INCHES.

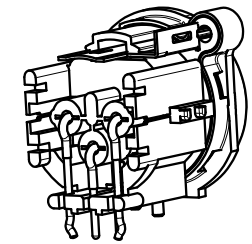
NOTE: SUFFIX "B" IN THE PART No. INDICATES BULK PACK



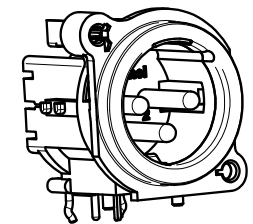
PANEL CUT OUT
REAR VIEW



SCHEMATIC CHART



3D VIEW (1:1)



REV	DESCRIPTION	DATE	BY	CHG No
2	ADD SUFFIX B TO PART No.	27/08/15	T.N	9318
1	ADD SCHEMATIC CHART	06/26/09	A.O	8793
0	FIRST ISSUE	03/09/07	T.N	8686

REVISION HISTORY

UNLESS OTHERWISE SPECIFIED TOLERANCE TO BE:		THIS DOCUMENT IS THE PROPERTY OF AMPHENOL AUSTRALIA PTY. LTD. NO PART THEREOF MAY BE REPRODUCED AND USED WITHOUT THE PRIOR WRITTEN CONSENT OF THE OWNER			
LINEAR	ANGULAR	CAD FILE:	DRN:	T.N	DATE:
X ±0.5	X° ±1	55010469000211	CKD:	P.M	04/09/07
X.X ±0.1	X.X° ±30°	MATL:	REFER TO COMPONENTS	APP'D:	06/26/09
X.XX ±0.05	X.XX° ±15°	DO NOT SCALE	FINISH:	REFER TO COMPONENTS	DATE:
BREAK ALL SHARP EDGES AND REMOVE ALL BURRS		SCALE:	1.5:1	DATE:	06/26/09
DIMENSIONS IN MILLIMETRES		THIRD ANGLE PROJECTION	SCALE:	1.5:1	PART No:
					AC3MBH2-AU-B

TITLE:		Amphenol	
XLR MALE B TYPE CONNECTOR		Amphenol Australia Pty.Ltd. 2 Fiveways Blvd. Keysborough, Vic3173	
CUSTOMER DWG		DRAWING NO.	SHEET
		55010469-000-2	2/2