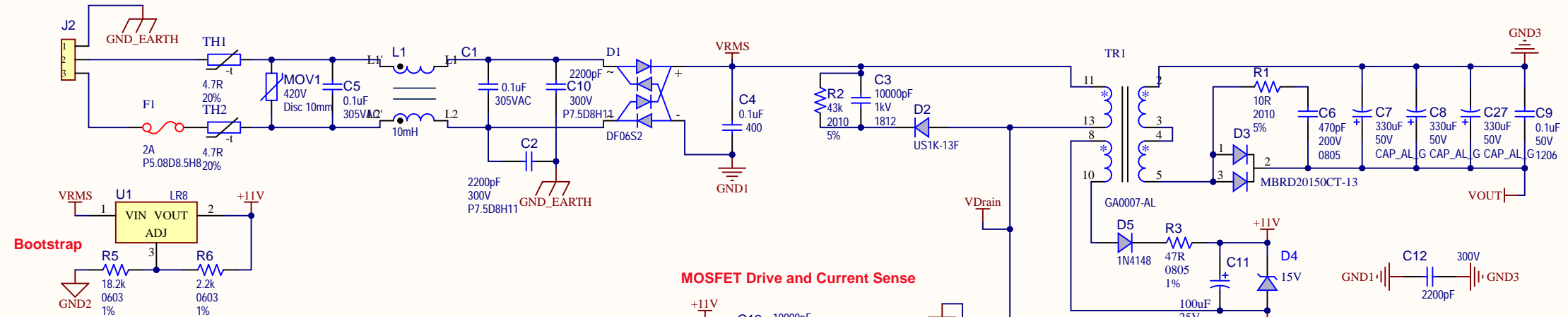
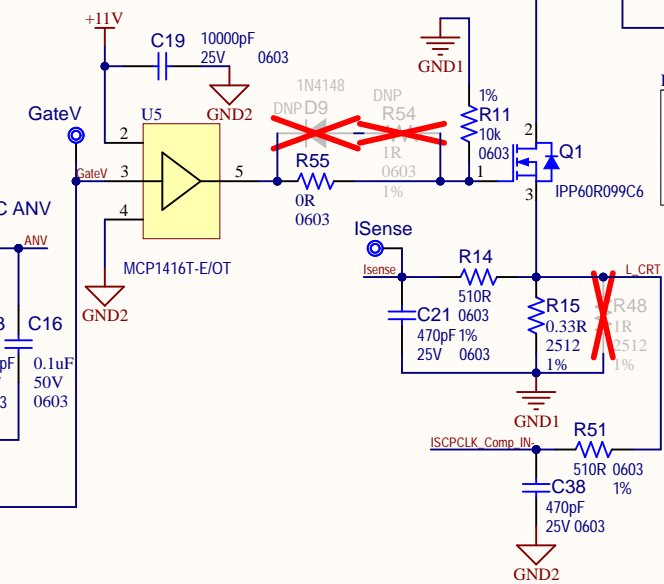


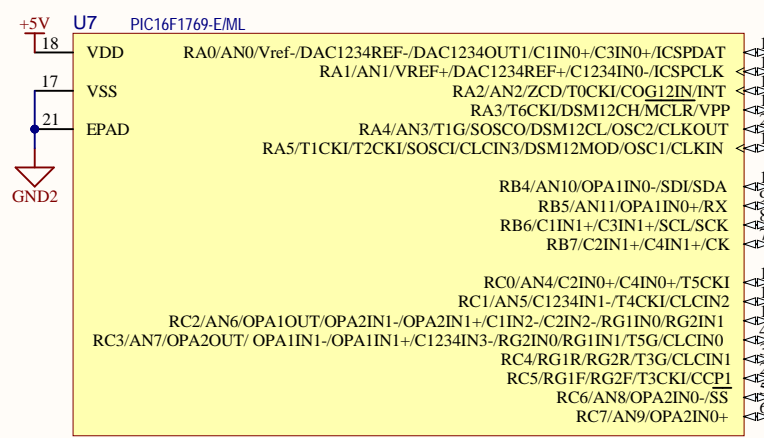
POWER STAGE



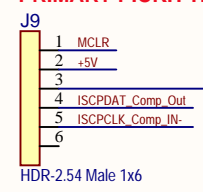
MOSFET Drive and Current Sense



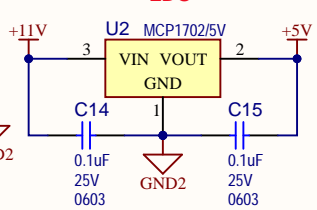
Primary Controller Unit (Flyback)



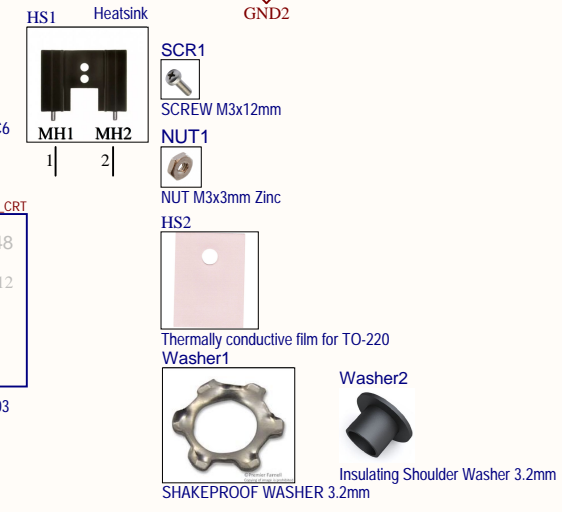
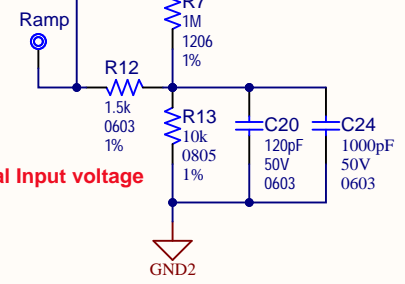
PRIMARY PICKIT HEADER



LDO



Proportional Input voltage



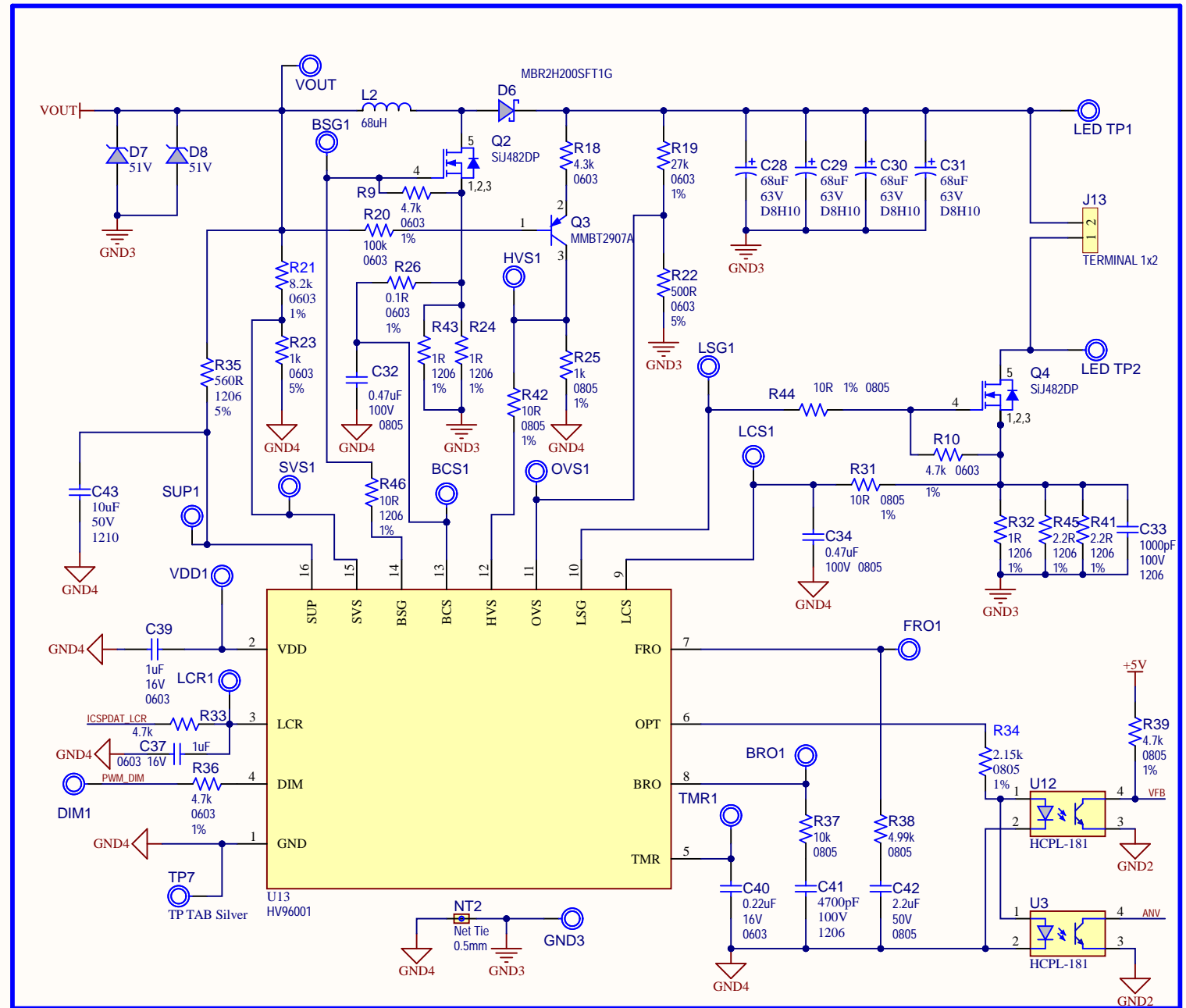
GND1 = Primary side Power ground
 GND2 = Primary side Signal ground
 GND3 = Secondary side Power ground
 GND4 = Secondary side Signal ground

Drawn By: Stroe Octavian		
Engineer: Sergiu Gheorghe		
PartNumber: ADM01030	Project Title HV96001 Deep Dimming LED Driver EVB	
Sheet Title **		
Size B	Sch #03-10923 Revision:3.2	Date: 1/7/2020 12:11:47 PM Sheet * of *
File: Flyback PIC_F.SchDoc		

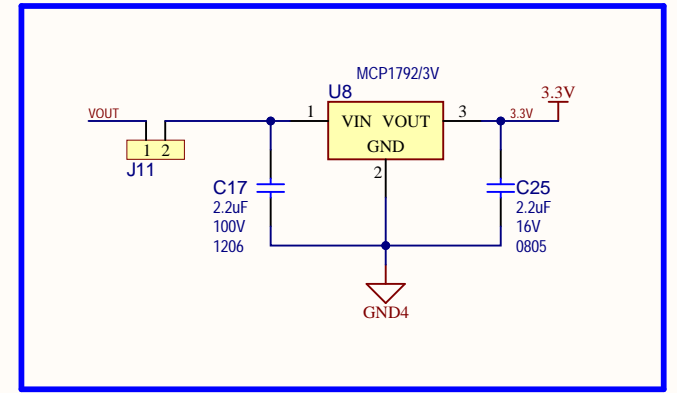


REV	ECO#	DESCRIPTION	DATE

HV96001 CIRCUIT



3.3V Supply

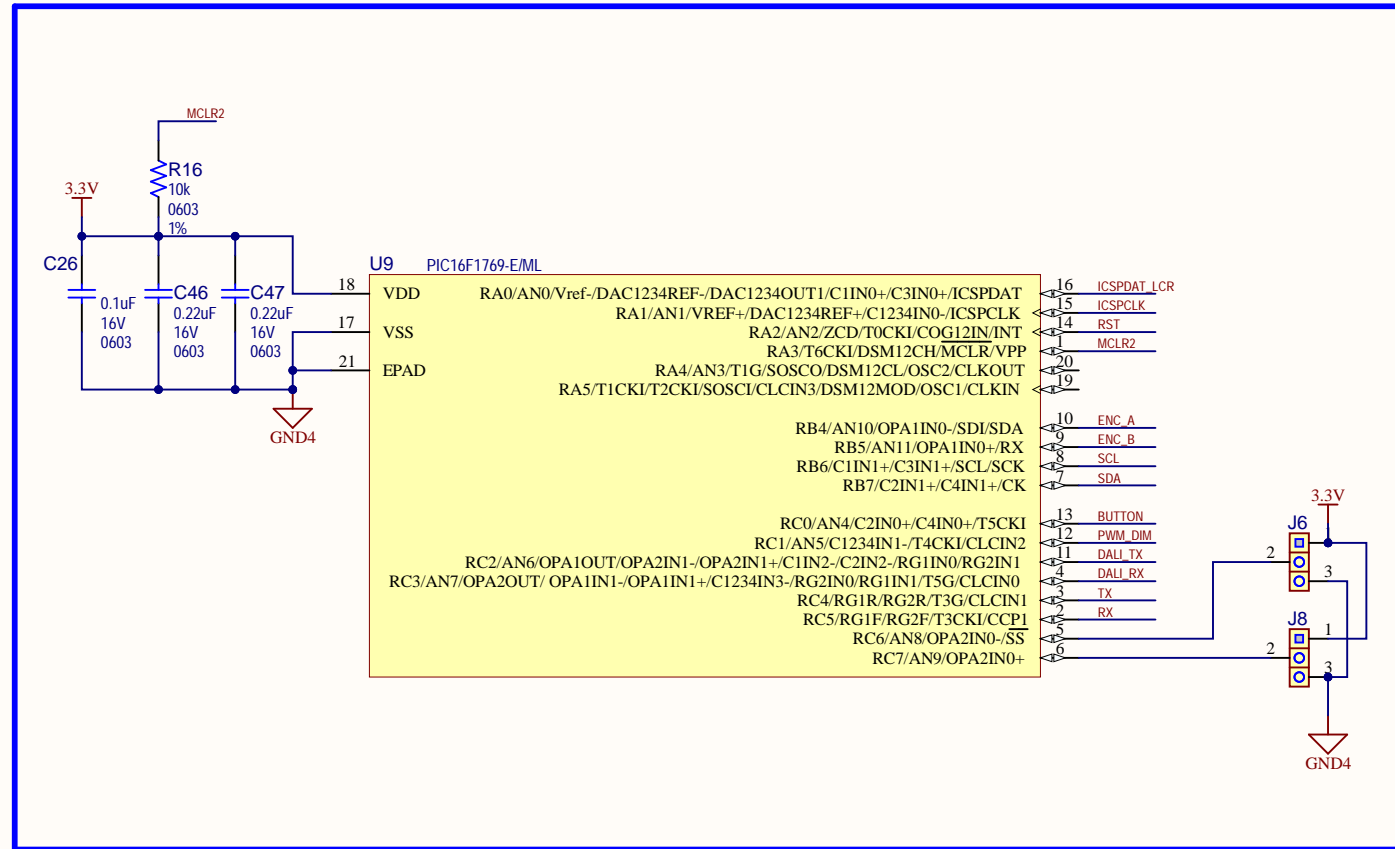


JP1
Shunt 2.54mm 1x2 Handle

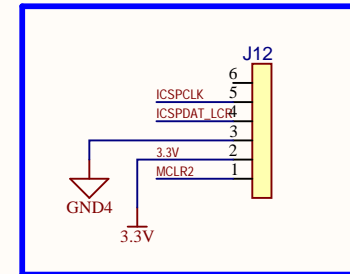
GND2 = Primary side Signal ground
GND3 = Secondary side Power ground
GND4 = Secondary side Signal ground

Drawn By: Stroe Octavian		
Engineer: Sergiu Gheorghe		
PartNumber: ADM01030	Project Title HV96001 Deep Dimming LED Driver EVB	
Sheet Title **		Designed with
Size B	Sch #03-10923	Date: 1/7/2020 12:11:47 PM
	Revision:3.2	Sheet * of *
File: Mechanical_1_F.SchDoc		

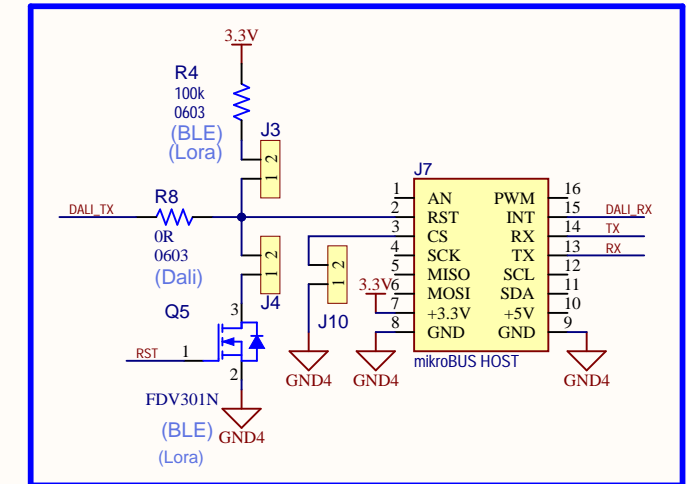
SECONDARY SIDE PIC (U9) for Dimming Control



SECONDARY PICKIT HEADER



CLICKBOARD HEADER DALI2



LABEL1

02- -R1
JIT

LABEL Need Help Small

PAD1



Rubber Pad L12.1W12.1H3.5

PAD2



Rubber Pad L12.1W12.1H3.5

PAD3



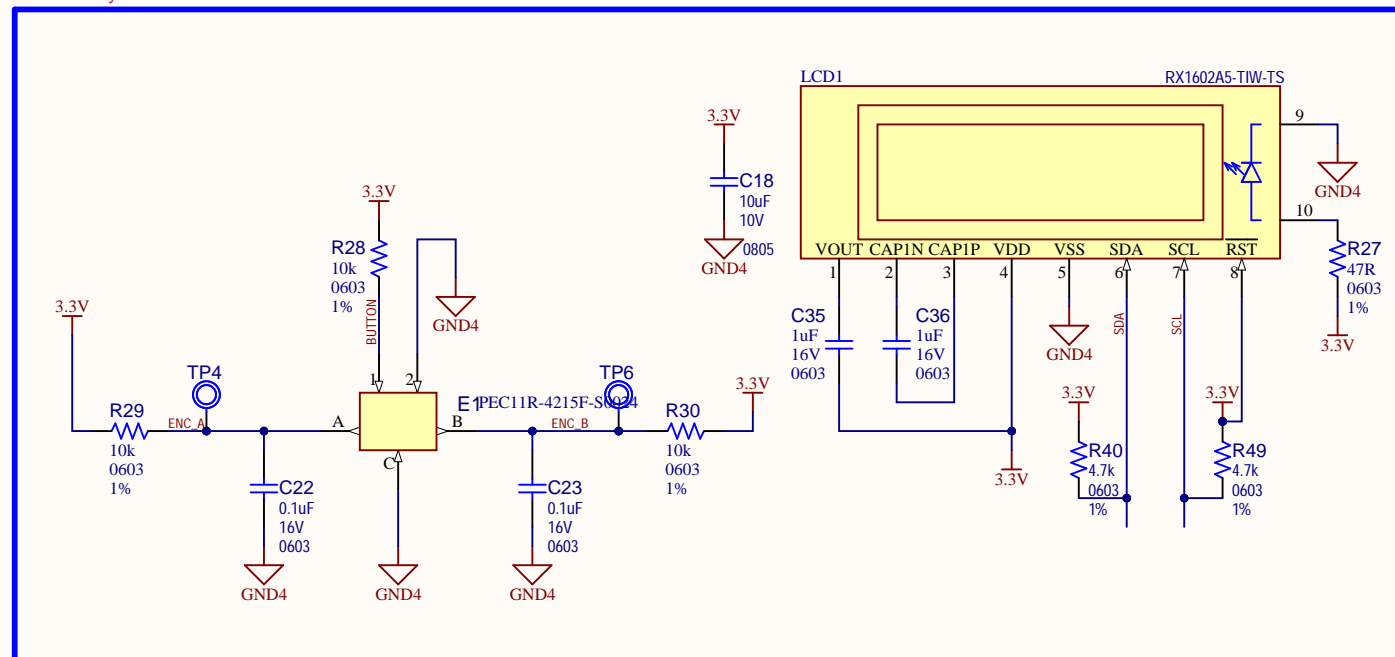
Rubber Pad L12.1W12.1H3.5

PAD4



Rubber Pad L12.1W12.1H3.5

Secondary PIC CONTROL



Drawn By: Stroe Octavian		MICROCHIP
Engineer: Sergiu Gheorghe		
PartNumber: ADM01030	Project Title HV96001 Deep Dimming LED Driver EVB	
Sheet Title **		
Size B	Sch #03-10923	Date: 1/7/2020 12:11:47 PM
	Revision:3.2	Sheet * of *
File: Mechanical_2_F.SchDoc		



Altium.com