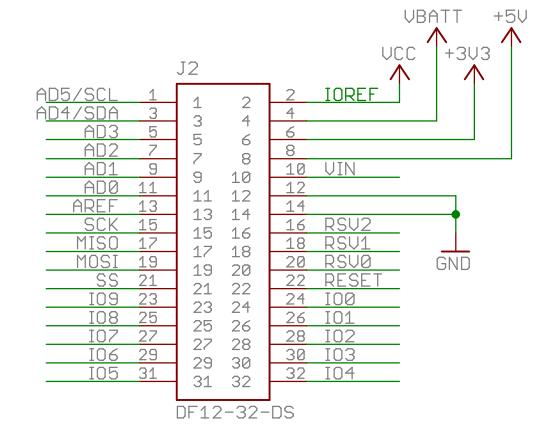
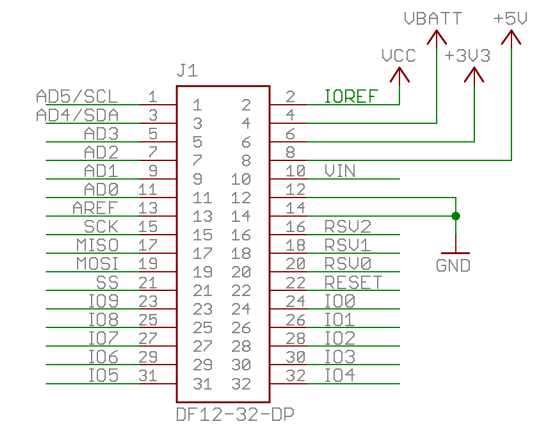


TinyShield Expansion - Bottom



TinyShield Expansion - Top



Released under the Creative Commons Attribution Share-Alike 3.0 License
<http://creativecommons.org/licenses/by-sa/3.0>

Original Arduino Uno Design by Team Arduino
 LilyPad Arduino Design by Leah Buechley and Sparkfun Electronics
 TinyDuino, TinyLily and TinyShield Designs by TinyCircuits

		http://www.TinyCircuits.com	
TITLE: TinyShield - Audio Shield			
Document Number: AS-SCH-ASD2841			REV: 4
Date: 2/23/2016 7:59:42 PM			Sheet: 1/1