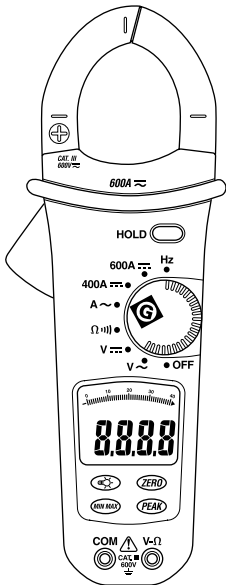


INSTRUCTION MANUAL MANUAL DE INSTRUCCIONES MANUEL D'INSTRUCTIONS



CM-900 • CM-950 Digital Clamp-on Meters

Medidores digitales con pinza

Multimètres numériques à pinces



Read and understand all of the instructions and safety information in this manual before operating or servicing this tool.

Lea y entienda todas las instrucciones y la información sobre seguridad que aparecen en este manual, antes de manejar estas herramientas o darles mantenimiento.

Lire attentivement et bien comprendre toutes les instructions et les informations sur la sécurité de ce manuel avant d'utiliser ou de procéder à l'entretien de cet outil.

Description

The Greenlee CM-900 and CM-950 Digital Clamp-on Meters are hand-held testing devices with the following measurement capabilities: AC and DC voltage, AC and DC current, frequency, and resistance. They also verify continuity. The CM-950 is a true RMS reading meter.

Specialized functions and capabilities include:

- Auto ranging
- Backlit display
- Auto power off
- Data hold
- MIN MAX hold
- Peak hold
- 42-segment bar graph

Safety

Safety is essential in the use and maintenance of Greenlee tools and equipment. This instruction manual and any markings on the tool provide information for avoiding hazards and unsafe practices related to the use of this tool. Observe all of the safety information provided.

Purpose of This Manual

This instruction manual is intended to familiarize all personnel with the safe operation and maintenance procedures for Greenlee CM-900 and CM-950 Digital Clamp-on Meters.

Keep this manual available to all personnel.

Replacement manuals are available upon request at no charge.

All specifications are nominal and may change as design improvements occur.

Greenlee Textron shall not be liable for damages resulting from misapplication or misuse of its products.

® Registered: The color green for electrical test instruments is a registered trademark of Greenlee Textron.

KEEP THIS MANUAL

Important Safety Information



SAFETY ALERT SYMBOL

This symbol is used to call your attention to hazards or unsafe practices which could result in an injury or property damage. The signal word, defined below, indicates the severity of the hazard. The message after the signal word provides information for preventing or avoiding the hazard.

▲ DANGER

Immediate hazards which, if not avoided, WILL result in severe injury or death.

▲ WARNING

Hazards which, if not avoided, COULD result in severe injury or death.

▲ CAUTION

Hazards or unsafe practices which, if not avoided, MAY result in injury or property damage.



▲ WARNING

Read and understand this material before operating or servicing this equipment. Failure to understand how to safely operate this tool can result in an accident causing serious injury or death.

Important Safety Information



⚠ WARNING

Electric shock hazard:

Contact with live circuits can result in severe injury or death.

⚠ WARNING

Electric shock and fire hazard:

- Do not expose this unit to rain or moisture.
- Do not use the unit if it is wet or damaged.
- Use test leads or accessories that are appropriate for the application. Refer to the category and voltage rating of the test lead or accessory.
- Inspect the test leads or accessory before use. They must be clean and dry, and the insulation must be in good condition.
- Use this unit for the manufacturer's intended purpose only, as described in this manual. Any other use can impair the protection provided by the unit.

Failure to observe these warnings can result in severe injury or death.

⚠ WARNING

Electric shock hazard:

- Do not apply more than the rated voltage between any two input terminals, or between any input terminal and earth ground.
- Do not contact the test lead tips or any uninsulated portion of the accessory.

Failure to observe these warnings can result in severe injury or death.

Important Safety Information

⚠ WARNING

- Do not operate with the case or battery cover open.
- Before removing the case or battery cover, remove the test leads (or jaw) from the circuit and shut off the unit.

Failure to observe these warnings can result in severe injury or death.

⚠ CAUTION

Do not change the measurement function while the test leads are connected to a component or circuit.

Failure to observe this precaution can result in injury and can damage the unit.

⚠ CAUTION

- Do not attempt to repair this unit. It contains no user-serviceable parts.
- Do not expose the unit to extremes in temperature or high humidity. Refer to “Specifications.”

Failure to observe these precautions can result in injury and can damage the unit.

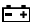
IMPORTANT

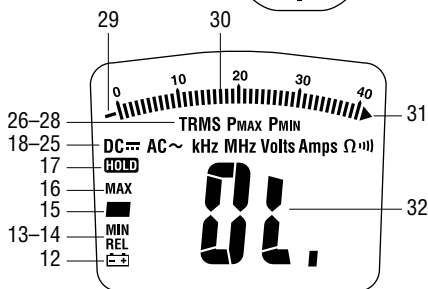
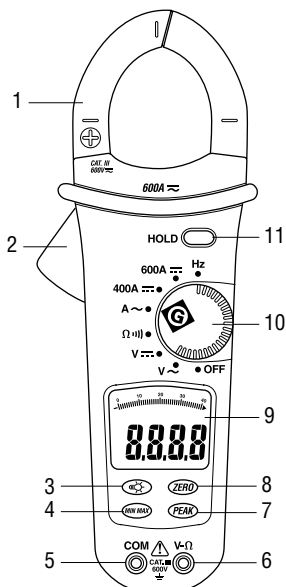
- Unless measuring voltage, current, or frequency, shut off and lock out power. Make sure that all capacitors are discharged. Voltage must not be present.
- Using this unit near equipment that generates electromagnetic interference can result in unstable or inaccurate readings.

Identification



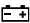
1. Jaw
2. Lever
3. Backlight button
4. MIN MAX button
5. Common (COM) input terminal
6. Volts or resistance (V-Ω) input terminal
7. PEAK button
8. ZERO button
9. Display
10. Selector
11. HOLD button

Display Icons

12.  Low battery indicator
13. **REL** Status of DC current ZERO function
14. **MIN** MIN Hold function is enabled
15. **-** Polarity indicator for numeric display
16. **MAX** MAX Hold function is enabled
17. **HOLD** Hold function is enabled
18. **DC** DC measurement is selected
19. **AC** AC measurement is selected
20. **kHz** Kiloherztz
21. **MHz** Megahertz
22. **Volts** Voltage
23. **Amps** Amperes
24. **Ω** Ohms
25. **|||)** Continuity
26. **TRMS** True RMS (CM-950 only)
27. **P_{MAX}** MAX PEAK Hold function is enabled.
28. **P_{MIN}** MIN PEAK Hold function is enabled.
29. **-** Polarity indicator for bar graph
30. **|** Bar graph element
31. **▶** Overload indicator for bar graph
32. **OL.** Overload indicator for numeric display



Symbols on the Unit

-  Warning—Read the instruction manual
-  Double insulation
-  Battery

Using the Features



Press to backlight the display. Press again to turn off. The backlight automatically shuts off after approximately 1 minute.

- **HOLD Button**

Press momentarily to hold the present value on the display. Press again to return to normal mode.

- **Auto Power Off**

The unit automatically shuts off after approximately 30 minutes of inactivity.

To disable this feature, press **PEAK**, **MIN MAX**, or  while turning the meter on.

- **MIN MAX Button**

Press momentarily to begin recording the minimum and maximum values of input. Press momentarily to cycle through the display modes as shown in the table below. The meter uses its highest voltage or current range for this feature.

| Icon | Display |
|----------------------------------|------------------------|
| MAX | Maximum recorded value |
| MIN | Minimum recorded value |
| MAX MIN (flashing) | Present measured value |

Press and hold to exit this mode.

- **PEAK Button**

Press momentarily to begin recording the minimum and maximum peak values of AC inputs. Press momentarily to cycle through the display modes as shown in the table below. The meter uses its highest voltage or current range for this feature.

| Icon | Display |
|------------------------|-----------------------------|
| P_{MAX} | Maximum recorded peak value |
| P_{MIN} | Minimum recorded peak value |

Press and hold to exit this mode. "CAL" appears briefly on the display as internal circuitry is reset.

- **ZERO Button**

Press momentarily to compensate for the residual magnetism in the jaw. "REL" appears on the display. Press momentarily again to display the uncompensated measurement. The stored offset value is retained. "REL" will flash. Press and hold to clear the stored offset value and return to uncompensated measurement.

Repeat the procedure after changing DC current ranges.

AC Measurement

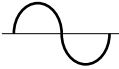
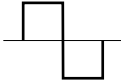
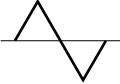

AC measurements are usually displayed as RMS (root mean square) values. The RMS value is equal to the value of a DC waveform, which would deliver the same power if it replaced the time-varying waveform. Two AC measurement methods are *average-responding RMS calibrated* and *true RMS-reading*.

The average-responding RMS calibrated method takes the average value of the input signal after full wave rectification, multiplies it by 1.11, and displays the result. This method is accurate if the input signal is a pure sine wave. The Greenlee CM-900 is an average-responding meter.

The true RMS-reading method uses internal circuitry to read the true RMS value. This method is accurate, within the specified crest factor limitations, whether the input signal is a pure sine wave, square wave, triangle wave, half wave, or signal with harmonics. The ability to read true RMS provides much more measurement versatility. The Greenlee CM-950 is a true RMS meter.

The Waveforms and Crest Factors table shows some typical AC signals and their RMS values.

Waveforms and Crest Factors

| | | | | |
|---|---|---|---|---|
| Waveform |  |  |  |  |
| RMS Value | 100 | 100 | 100 | 100 |
| Average Value | 90 | 100 | 87 | 64 |
| Crest Factor* (ξ) | 1.414 | 1 | 1.73 | 2 |

* The crest factor is the ratio of the peak value to the RMS value; it is represented by the Greek letter ξ .

Operation



⚠ WARNING

Electric shock hazard:
Contact with live circuits can result in severe injury or death.

1. Set the selector according to the Settings Table. For DC current, start with the 600 A range.
2. Refer to “Typical Measurements” for specific measurement instructions.
3. Test the unit on a known functioning circuit or component.
 - If the unit does not function as expected on a known functioning circuit, replace the battery (or batteries).
 - If the unit still does not function as expected, send the unit to Greenlee for repair. Refer to the instructions under the Warranty.
4. Take the reading from the circuit or component to be tested.
5. If it is a DC current reading, remove the clamp from the circuit and press the **ZERO** button. Clamp the jaw around the circuit again to measure the actual DC current.

If the resolution is not satisfactory on the 600 A range, remove the meter from the conductor and switch to the 400 A range. Repeat steps 4 and 5.

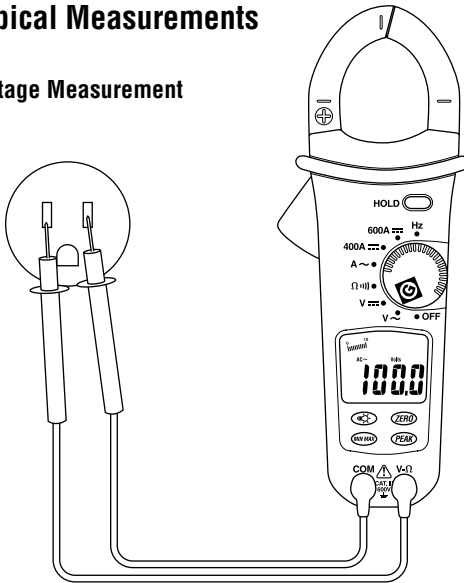
Settings Table

| To measure this value ... | set the selector to this symbol ... | connect the red lead to ... | and connect the black lead to ... |
|---------------------------|-------------------------------------|-----------------------------|-----------------------------------|
| Continuity* | Ω (diode symbol) | V- Ω | COM |
| Resistance | Ω (diode symbol) | V- Ω | COM |
| DC Voltage | V \equiv | V- Ω | COM |
| AC Voltage | V \sim | V- Ω | COM |
| DC Current (600 A max.) | 600A \equiv | Remove lead | Remove lead |
| DC Current (400 A max.) | 400A \equiv | Remove lead | Remove lead |
| AC Current (600 A max.) | A \sim | Remove lead | Remove lead |
| Frequency | Hz | Remove lead | Remove lead |

* Tone sounds if the measured resistance is less than approximately 30 Ω .

Typical Measurements

Voltage Measurement

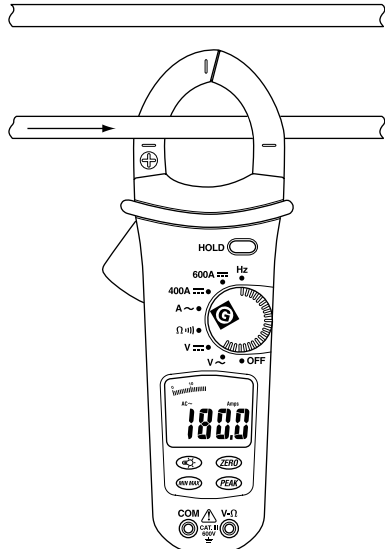


Current Measurement— Clamp Around Wire

Notes:

- Clamp the jaw around one conductor only.
- Close the jaw completely to ensure accurate measurement.
- Center the wire in the jaw for highest accuracy.

Note: For DC measurements, current flowing through the jaw in the direction indicated by the arrow produces a positive reading. Position the jaw for a positive reading for highest accuracy.

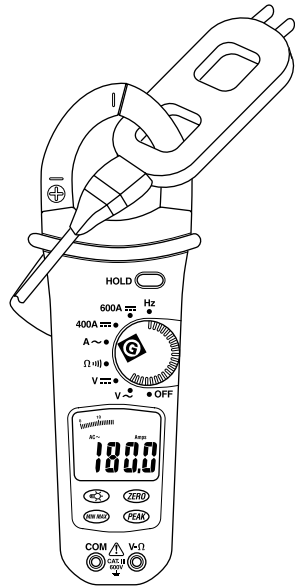


Typical Measurements

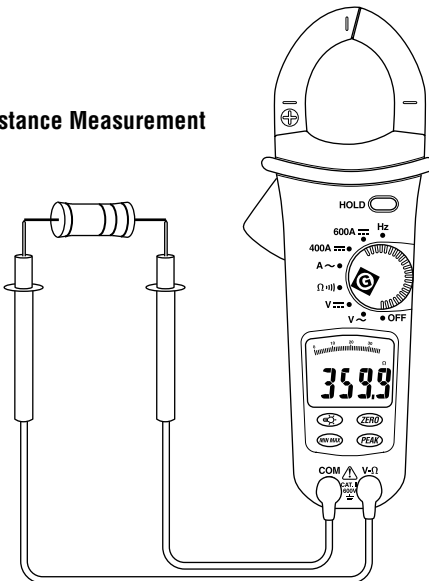
Current Measurement— Clamp Around Line Splitter

Notes:

- The Greenlee 93-30 Line Splitter is divided. One section renders amps; the other renders amps multiplied by 10.
- Close the jaw completely to ensure accurate measurement.
- Center the line splitter in the jaw for highest accuracy.

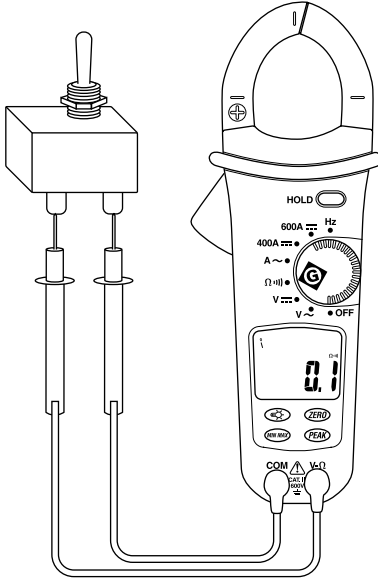


Resistance Measurement



Typical Measurements

Continuity Check



Accuracy

Refer to “Specifications” for operating conditions and temperature coefficient.

Accuracy is specified as follows: \pm (a percentage of the reading + a fixed amount) at 18 °C to 28 °C (64 °F to 82 °F), 0% to 80% relative humidity

AC Current

| Range | Input Value | Accuracy (50 to 60 Hz) | Accuracy (61 to 400 Hz) |
|---------|------------------|-------------------------------|-------------------------------|
| 400.0 A | 0.0 to 320.0 A | $\pm (1.5\% + 0.5 \text{ A})$ | $\pm (2.0\% + 0.5 \text{ A})$ |
| | 320.0 to 400.0 A | $\pm (3.1\% + 0.5 \text{ A})$ | $\pm (3.6\% + 0.5 \text{ A})$ |
| 600 A | 400 to 600 A | $\pm (2.0\% + 7 \text{ A})$ | $\pm (2.5\% + 7 \text{ A})$ |

$\pm 1.0\%$ position error

AC Voltage

| Range | Accuracy | Frequency Response | Input Impedance |
|---------|-------------------------------|--------------------|--------------------------|
| 400.0 V | $\pm (1.0\% + 0.5 \text{ V})$ | 50 to 500 Hz | 1 M Ω < 100 pF |
| 600 V | $\pm (1.0\% + 5 \text{ V})$ | | |

CM-900 is average sensing, RMS calibrated.

CM-950 is true RMS sensing. Accuracy is specified for sine waves at full scale and non-sine waves below half scale. For non-sine waves, add the following crest factor corrections:

- Crest factor 1.4 to 2.0, add 1.0%
- Crest factor 2.0 to 2.5, add 2.5%
- Crest factor 2.5 to 3.0, add 4.0%

Maximum crest factor is 3 at 400 A or 400 V, and 2 at 600 A or 600 V.

Accuracy (cont'd)

DC Current

| Range | Accuracy |
|---------|-------------------------------|
| 400.0 A | $\pm (1.2\% + 0.5 \text{ A})$ |
| 600 A | $\pm (1.9\% + 7 \text{ A})$ |

Position error: 1%

Remanence Error: 1% of current crest

DC Voltage

| Range | Accuracy | Input Impedance |
|---------|-------------------------------|-----------------|
| 400.0 V | $\pm (0.7\% + 0.2 \text{ V})$ | 1 M Ω |
| 600 V | $\pm (0.7\% + 2 \text{ V})$ | |

Resistance

| Range | Accuracy |
|----------------|-------------------------------------|
| 400.0 Ω | $\pm (1.0\% + 0.3 \text{ } \Omega)$ |

600 V overload protection

Frequency (Current Mode)

| Range | Accuracy | Minimum Input |
|--------------------|-----------------------------------|---------------|
| 0.020 to 0.400 kHz | $\pm (0.1\% + 0.002 \text{ kHz})$ | 3 A RMS |

Peak Hold

Accuracy of held value is $\pm (3\% + 15 \text{ digits})$.

Accuracy is unspecified above 600 V peak and above 600 A peak.

Min Max

Add ± 15 digits to AC/DC current specification.

The meter switches to the 600 V or 600 A range when Peak Hold or MIN MAX is activated.

Specifications

Display: 3-3/4–digit LCD (4000 maximum count) and 42-segment bar graph

Sampling Rate:

Numeric Display: 1.5 per second

Bar Graph Display: 13 per second

Jaw Opening: 35 mm (1.38")

Measurement Category: Category III, 600 V

Temperature Coefficient: 0.2 x (Accuracy) per °C above 28 °C or below 18 °C

Operating Conditions:

Temperature:

0 °C to 30 °C (32 °F to 86 °F), 0% to 80% relative humidity, noncondensing

30 °C to 40 °C (86 °F to 104 °F), 0% to 75% relative humidity, noncondensing

40 °C to 50 °C (104 °F to 122 °F), 0% to 45% relative humidity, noncondensing

Altitude: 2000 m (6500') maximum

Indoor use only.

Storage Conditions: –20 °C to 60 °C (–4 °F to 131 °F),

0% to 80% relative humidity, noncondensing

Remove battery.

Pollution Degree: 2

Battery: One 9 V battery (NEDA 1604, JIS 006P, or IEC 6F22)

Battery Life: Approximately 200 hours with alkaline battery

Measurement Categories

These definitions were derived from the international safety standard for insulation coordination as it applies to measurement, control, and laboratory equipment. These measurement categories are explained in more detail by the International Electrotechnical Commission; refer to either of their publications: IEC 61010-1 or IEC 60664.

Measurement Category I

Signal level. Electronic and telecommunication equipment, or parts thereof. Some examples include transient-protected electronic circuits inside photocopiers and modems.

Measurement Category II

Local level. Appliances, portable equipment, and the circuits they are plugged into. Some examples include light fixtures, televisions, and long branch circuits.

Measurement Category III

Distribution level. Permanently installed machines and the circuits they are hard-wired to. Some examples include conveyor systems and the main circuit breaker panels of a building's electrical system.

Measurement Category IV

Primary supply level. Overhead lines and other cable systems. Some examples include cables, meters, transformers, and other exterior equipment owned by the power utility.

Maintenance

CAUTION

- Do not attempt to repair this unit. It contains no user-serviceable parts.
- Do not expose the unit to extremes in temperature or high humidity. Refer to “Specifications.”

Failure to observe these precautions can result in injury and can damage the unit.

Battery Replacement

WARNING

Before removing the battery cover, remove the test leads (or jaw) from the circuit and shut off the unit.

Failure to observe this warning can result in severe injury or death.

1. Disconnect the unit from the circuit.
2. Remove the screw from the battery cover.
3. Remove the battery cover.
4. Replace the battery. Observe polarity.
5. Replace the cover and the screw.

Cleaning

Periodically wipe the case with a damp cloth and mild detergent; do not use abrasives or solvents.

Descripción

Los Medidores digitales con pinza modelos CM-900 y CM-950 de Greenlee son instrumentos de verificación capaces de efectuar los siguientes tipos de mediciones: tensión alterna y continua, corriente alterna y continua, frecuencia y resistencia. También sirven para verificar continuidad. El modelo CM-950 es un multímetro de lectura de valores eficaces reales.

Entre sus funciones y capacidades se incluyen:

- Selección automática de escala
- Pantalla con luz de fondo
- Apagado automático
- Retención de datos en pantalla
- Retención MIN MAX
- Retención de lectura de valor máximo
- Gráfico de barras de 42 segmentos

Acerca de la seguridad

Es fundamental observar métodos seguros al utilizar y dar mantenimiento a las herramientas y equipo Greenlee. Este manual de instrucciones y todas las marcas que ostenta la herramienta le ofrecen la información necesaria para evitar riesgos y hábitos poco seguros relacionados con su uso. Siga toda la información sobre seguridad que se proporciona.

Propósito de este manual

Este manual de instrucciones tiene como propósito familiarizar a todo el personal con los procedimientos de operación y mantenimiento seguros para los Medidores digitales con pinza modelos CM-900 y CM-950 de Greenlee.

Manténgalo siempre al alcance de todo el personal.

Puede obtener copias adicionales de manera gratuita, previa solicitud.

Todas las especificaciones son nominales y pueden cambiar conforme tengan lugar mejoras de diseño. Greenlee Textron no se hace responsable de los daños que puedan surgir de la mala aplicación o mal uso de sus productos.

® Registrado: El color verde para instrumentos de verificación eléctricos es una marca registrada de Greenlee Textron.

CONSERVE ESTE MANUAL

Importante Información sobre Seguridad



SÍMBOLO DE ALERTA SOBRE SEGURIDAD

Este símbolo se utiliza para indicar un riesgo o práctica poco segura que podría ocasionar lesiones o daños materiales. Cada uno de los siguientes términos denota la gravedad del riesgo. El mensaje que sigue a dichos términos le indica cómo puede evitar o prevenir ese riesgo.

⚠ PELIGRO

Peligros inmediatos que, de no evitarse, OCASIONARÁN graves lesiones o incluso la muerte.

⚠ ADVERTENCIA

Peligros que, de no evitarse, PODRÍAN OCASIONAR graves lesiones o incluso la muerte.

⚠ PRECAUCIÓN

Peligro o prácticas peligrosas que, de no evitarse, PUEDEN OCASIONAR lesiones o daños materiales.



⚠ ADVERTENCIA

Lea y entienda este documento antes de manejar esta herramienta o darle mantenimiento. Utilizarla sin comprender cómo manejarla de manera segura podría ocasionar un accidente y, como resultado de éste, graves lesiones o incluso la muerte.

Importante Información sobre Seguridad



⚠ ADVERTENCIA

Peligro de electrocución:

El contacto con circuitos activados puede ocasionar graves lesiones o incluso la muerte.

⚠ ADVERTENCIA

Peligro de electrocución e incendio:

- No exponga esta unidad ni a la lluvia ni a la humedad.
- No utilice esta unidad si se encuentra mojada o dañada.
- Utilice cables de prueba y accesorios que sean apropiados para la aplicación que se va a realizar. Consulte la información sobre categoría y tensión nominal del cable de prueba o el accesorio.
- Revise minuciosamente los cables de prueba o el accesorio, antes de utilizarlos. Deberán estar limpios y secos, y su forro aislante deberá hallarse en buenas condiciones.
- Utilícela únicamente para el propósito para el que ha sido diseñada por el fabricante, tal como se describe en este manual. Cualquier otro uso puede menoscabar la protección proporcionada por la unidad.

De no observarse estas advertencias pueden sufrirse graves lesiones o incluso la muerte.

⚠ ADVERTENCIA

Peligro de electrocución:

- No aplique más del voltaje nominal entre dos terminales de entrada cualesquiera, o entre una terminal de entrada cualquiera y una conexión a tierra.
- No toque las puntas de los cables de prueba ni ninguna parte del accesorio que carezca de forro aislante.

De no observarse estas advertencias pueden sufrirse graves lesiones o incluso la muerte.

Importante Información sobre Seguridad

⚠ ADVERTENCIA

- No haga funcionar esta unidad con la caja o la tapa del compartimiento de las pilas abierta.
- Antes de retirar la caja o la tapa del compartimiento de las pilas, retire del circuito los cables de prueba (o la pinza), y apague la unidad.

De no observarse estas advertencias pueden sufrirse graves lesiones o incluso la muerte.

⚠ PRECAUCIÓN

No cambie la función de medición mientras los cables de prueba estén conectados a un componente o circuito.

De no observarse esta advertencia podrían sufrirse lesiones o daños a la unidad.

⚠ PRECAUCIÓN

- No intente reparar esta unidad, ya que contiene partes que deben recibir mantenimiento por parte de un profesional.
- No exponga la unidad a ambientes de temperatura extrema o altos niveles de humedad. Consulte la sección “Especificaciones”.

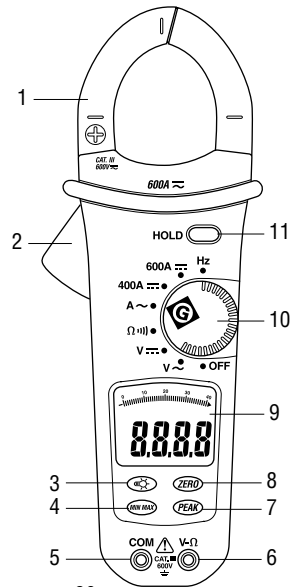
De no observarse estas precauciones podrían sufrirse lesiones o daños a la unidad.

IMPORTANTE

- A menos que vaya a medir tensión, corriente o frecuencia, apague y bloquee la energía. Asegúrese de que todos los condensadores estén totalmente sin carga. No debe haber tensión alguna.
- Al utilizar esta unidad cerca de equipo que genere interferencia electromagnética quizá se obtenga una lectura inexacta e inestable.

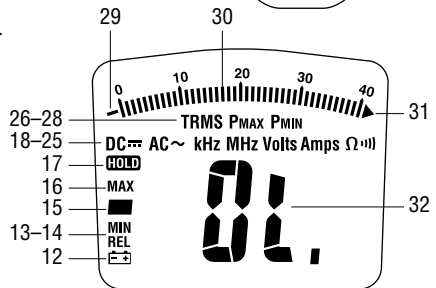
Identificación

1. Pinza
2. Palanca
3. Botón de luz de fondo
4. Botón MIN MAX
5. Terminal de entrada (COM) común
6. Terminal de entrada (V-Ω) de voltios o resistencia
7. Botón PEAK
8. Botón ZERO
9. Pantalla
10. Selector
11. Botón HOLD



Iconos de la pantalla

12. Indicador de pila baja
13. **REL** Estado de la función "DC current ZERO" (CERO de corriente de CC)
14. **MIN** Se activa la función "Hold MIN" (Retención en pantalla del valor mínimo).
15. **-** Indicador de polaridad para la pantalla numérica
16. **MAX** Se activa la función "Hold MAX" (Retención en pantalla del valor máximo).
17. **HOLD** Se activa la función "Hold" (Retención de datos en pantalla).
18. **DC** Se selecciona medición de CC.
19. **AC** Se selecciona medición de CA.
20. **kHz** Kilohercios
21. **MHz** Megahercios
22. **Volts** Tensión
23. **Amps** Amperios
24. **Ω** Ohmios
25. **⎓** Continuidad
26. **TRMS** Valores eficaces reales (únicamente en el modelo CM-950)
27. **P_{MAX}** Se activa la función MAX PEAK Hold (Retención de lectura de valor máximo).
28. **P_{MIN}** Se activa la función MIN PEAK Hold (Retención de lectura de valor mínimo).
29. **-** Indicador de polaridad para el gráfico de barras
30. **|** Elemento de gráfico de barras
31. **▶** Indicador de sobrecarga para el gráfico de barras
32. **OL** Indicador de sobrecarga para la pantalla numérica



Símbolos en la unidad

- Advertencia—Lea el manual de instrucciones
- Doble forro aislante
- Pila

Cómo utilizar las distintas funciones



Oprima para encender la luz de fondo de la pantalla. Oprima nuevamente para apagarla. La luz de fondo se apagará de forma automática después de aproximadamente 1 minuto.

- **Botón “HOLD” (Retención de datos en pantalla)**

Oprima momentáneamente para retener en pantalla el valor que aparece en ese momento. Oprima nuevamente para volver al modo normal.

- **Apagado automático**

La unidad se apaga de forma automática después de aproximadamente 30 minutos de inactividad.

Para desactivar esta función, oprima **PEAK, MIN MAX**, o  al tiempo que enciende la unidad.

- **Botón MIN MAX**

Oprima momentáneamente para comenzar a registrar los valores de entrada máximo y mínimo. Oprima momentáneamente para ciclar a través de los modos de pantalla según se ilustran en la tabla a continuación. El medidor utiliza su tensión o escala de corriente más alta para esta función.

| Icono | Pantalla |
|----------------------------------|-----------------------------|
| MAX | Valor máximo registrado |
| MIN | Valor mínimo registrado |
| MAX MIN (parpadeante) | Valor medido en ese momento |

Oprima y mantenga oprimido el botón para salir de este modo.

- **Botón PEAK**

Oprima momentáneamente para comenzar a registrar los valores de lectura de las entradas de CA máximo y mínimo. Oprima momentáneamente para ciclar a través de los modos de pantalla según se ilustran en la tabla a continuación. El medidor utiliza su tensión o escala de corriente más alta para esta función.

| Icono | Pantalla |
|------------------------|------------------------------------|
| P_{MAX} | Valor de lectura máximo registrado |
| P_{MIN} | Valor de lectura mínimo registrado |

Oprima y mantenga oprimido el botón para salir de este modo. “CAL” aparece momentáneamente en la pantalla mientras se restablece el circuito interno.

- **Botón ZERO**

Oprima momentáneamente para compensar por el magnetismo residual en la pinza. “REL” aparece en la pantalla. Oprima momentáneamente de nuevo para mostrar la medición no compensada. Se retiene el valor compensado almacenado. “REL” parpadeará. Oprima y sostenga para borrar el valor compensado almacenado y regresar a la medición no compensada.

Repita el procedimiento luego de cambiar las escalas de corriente de CC.

Medición de corriente alterna


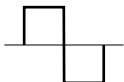
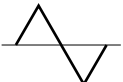

Las mediciones de corriente alterna generalmente se muestran como valores eficaces (RMS o root mean squared). El valor eficaz equivale al valor de una forma de onda de CC, la cual brinda la misma potencia que si reemplazara la forma de onda variable con el tiempo. Existen dos métodos de medición de corriente alterna: *calibrados para responder al valor eficaz medio* y *una lectura de valores eficaces reales*.

El método calibrado para responder al valor eficaz medio toma el valor medio de la señal de entrada luego de una rectificación total de onda, la multiplica por 1,11 y muestra el resultado. El resultado es exacto si la señal de entrada es una onda sinusoidal pura. El modelo CM-900 de Greenlee es un multímetro que responde al valor medio.

El método de lectura de valores eficaces reales utiliza un circuito interno para leer el valor eficaz real. Este método es exacto, dentro de las limitaciones de factor de cresta especificadas, independientemente del tipo de señal de entrada, ya sea una onda sinusoidal pura, rectangular, triangular, media onda o señal con armónicas. La capacidad para leer valores eficaces reales brinda una mayor versatilidad de medición. La unidad modelo CM-950 de Greenlee es un medidor de valores eficaces reales.



La tabla de Formas de onda y Factores de cresta muestra algunas de las señales de CA y sus valores eficaces reales más comunes.

Formas de onda y Factores de cresta

| | | | | |
|---|---|---|---|---|
| Forma de onda |  |  |  |  |
| Valor eficaz | 100 | 100 | 100 | 100 |
| Valor medio | 90 | 100 | 87 | 64 |
| Factor de cresta* (ξ) | 1,414 | 1 | 1,73 | 2 |

* El factor de cresta es el cociente de un valor máximo en relación con el valor eficaz; está representado por la letra griega ξ .



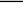

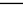
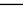
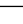
Operación

| | |
|---|--|
|  |  ADVERTENCIA |
| | <p>Peligro de electrocución:</p> <p>El contacto con circuitos activados puede ocasionar graves lesiones o incluso la muerte.</p> |

- Coloque el interruptor de selección de acuerdo con la Tabla de valores. Para corriente de CC, comience con la escala de 600 A.
- Consulte la sección “Mediciones más comunes” en relación con las instrucciones específicas para cada tipo de medición.
- Pruebe la unidad en un circuito o componente que se sabe está funcionando perfectamente.
 - Si la unidad no funciona como debería en un circuito que se sabe está funcionando perfectamente, reemplace la pila (o pilas).
 - Si sigue sin funcionar como debería, devuélvala a Greenlee a fin de que sea reparada. Consulte las instrucciones en la sección “Garantía”.
- Anote la lectura del circuito o componente que se está verificando.
- Si es una lectura de corriente de CC, retire la pinza del circuito y oprima el botón **ZERO**. Coloque nuevamente la pinza alrededor del circuito para medir la corriente de CC real.

Si la resolución no es satisfactoria en la escala de 600 A, retire el medidor del conductor y cambie a la escala de 400 A. Repita los pasos 4 y 5.

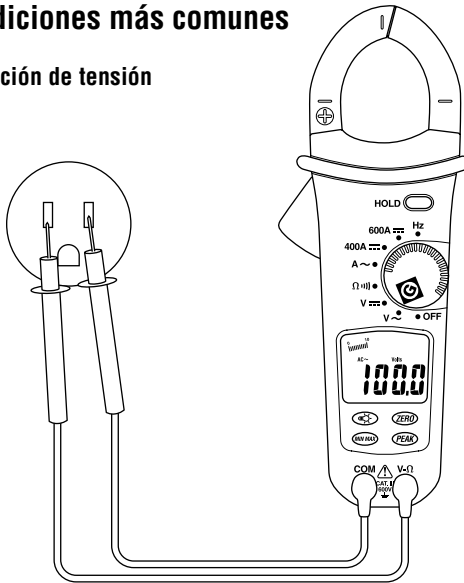
Tabla de valores

| Para medir este valor ... | coloque el interruptor de selección en este símbolo ... | conecte el cable de prueba rojo a ... | y conecte el cable de prueba negro a ... |
|---------------------------------|---|---------------------------------------|--|
| Continuidad* | Ω  | $V-\Omega$ | COM |
| Resistencia | Ω  | $V-\Omega$ | COM |
| Tensión continua (CC) | V  | $V-\Omega$ | COM |
| Tensión alterna (CA) | V  | $V-\Omega$ | COM |
| Corriente continua (600 A máx.) | 600A  | Retire el cable de prueba | Retire el cable de prueba |
| Corriente continua (400 A máx.) | 400A  | | |
| Corriente alterna (600 A máx.) | A  | Retire el cable de prueba | Retire el cable de prueba |
| Frecuencia | Hz | | |

* El tono suena si la resistencia medida es menor a 30 Ω aproximadamente.

Mediciones más comunes

Medición de tensión

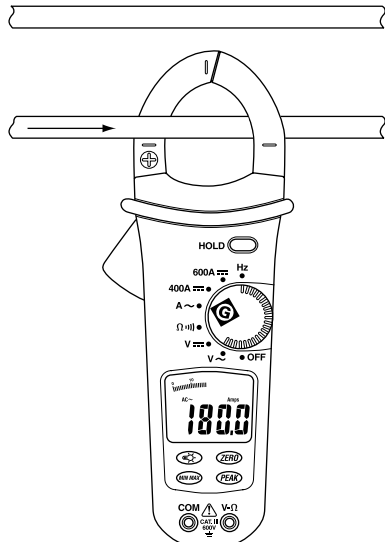


Medición de corriente— Con la pinza colocada alrededor de un cable

Notas:

- Coloque la pinza alrededor de un solo conductor únicamente.
- Cierre completamente la pinza a fin de asegurar una medición exacta.
- Para obtener una mayor precisión centre el cable en la pinza.

Nota: En el caso de mediciones de corriente continua, la corriente que fluya a través de la pinza en la dirección indicada por la flecha arrojará una lectura positiva. Para mayor precisión, oriente la pinza hacia la lectura positiva.

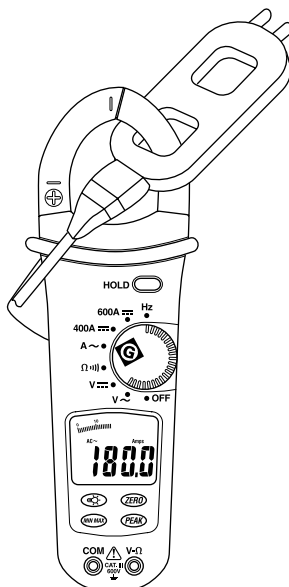


Mediciones más comunes

Medición de corriente — Con la pinza colocada alrededor del separador de líneas

Notas:

- El separador de líneas Greenlee 93-30 está dividido. Una sección lee amperios; la otra, amperios multiplicados por 10.
- Cierre completamente la pinza a fin de asegurar una medición exacta.
- Para obtener una mayor precisión centre el separador de líneas en la pinza.

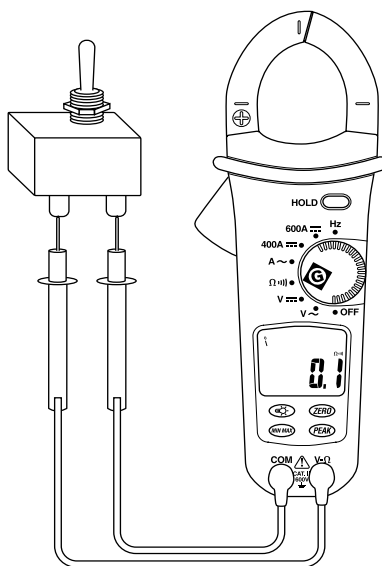


Medición de resistencia



Mediciones más comunes

Verificación de continuidad



Precisión

Consulte la sección “Especificaciones” en relación con las condiciones de operación y el coeficiente de temperatura.

La precisión se especifica de la siguiente manera: \pm (un porcentaje de la lectura + una cantidad fija) a 18°C a 28°C (64°F a 82°F), 0% a 80% de humedad relativa.

Corriente alterna

| Escala | Valor de entrada | Precisión (50 a 60 Hz) | Precisión (61 a 400 Hz) |
|---------|------------------|-------------------------------|-------------------------------|
| 400,0 A | 0,0 a 320,0 A | $\pm (1,5\% + 0,5 \text{ A})$ | $\pm (2,0\% + 0,5 \text{ A})$ |
| | 320,0 a 400,0 A | $\pm (3,1\% + 0,5 \text{ A})$ | $\pm (3,6\% + 0,5 \text{ A})$ |
| 600 A | 400 a 600 A | $\pm (2,0\% + 7 \text{ A})$ | $\pm (2,5\% + 7 \text{ A})$ |

Error de posición de $\pm 1,0\%$

Tensión CA

| Escala | Precisión | Respuesta de frecuencia | Impedancia de entrada |
|---------|-------------------------------|-------------------------|--------------------------|
| 400,0 V | $\pm (1,0\% + 0,5 \text{ V})$ | 50 a 500 Hz | 1 M Ω < 100 pF |
| 600 V | $\pm (1,0\% + 5 \text{ V})$ | | |

El modelo CM-900 es calibrado para responder al valor eficaz medio.

El modelo CM-950 detecta valores eficaces reales. La precisión se especifica para ondas sinusoidales a plena escala y ondas no sinusoidales por debajo de la escala media. Para ondas no sinusoidales, añada las siguientes correcciones al factor de cresta:

- Factor de cresta de 1,4 a 2,0: añada 1,0%
- Factor de cresta de 2,0 a 2,5: añada 2,5%
- Factor de cresta de 2,5 a 3,0: añada 4,0%

El factor máximo de cresta es 3 a 400 A o 400 V, y 2 a 600 A o 600 V.

Precisión (continuación)

Corriente continua

| Escala | Precisión |
|---------|-------------------------------|
| 400,0 A | $\pm (1,2\% + 0,5 \text{ A})$ |
| 600 A | $\pm (1,9\% + 7 \text{ A})$ |

Error de posición: 1%

Error de remanencia: 1% de la corriente de cresta

Tensión continua

| Escala | Precisión | Impedancia de entrada |
|---------|-------------------------------|-----------------------|
| 400,0 V | $\pm (0,7\% + 0,2 \text{ V})$ | 1 M Ω |
| 600 V | $\pm (0,7\% + 2 \text{ V})$ | |

Resistencia

| Escala | Precisión |
|----------------|----------------------------|
| 400,0 Ω | $\pm (1,0\% + 0,3 \Omega)$ |

Protección de sobretensión de 600 V

Frecuencia (Modo de corriente)

| Escala | Precisión | Entrada mínima |
|-------------------|-----------------------------------|----------------|
| 0,020 a 0,400 kHz | $\pm (0,1\% + 0,002 \text{ kHz})$ | 3 A rms |

Retención de lectura de valor máximo

La precisión del valor retenido es $\pm (3\% + 15 \text{ dígitos})$.

La precisión no se especifica por encima de 600 V pico y por encima de 600 A pico.

Min Max

Agregue ± 15 dígitos a la especificación de corriente de CA/CC.

El medidor cambia a la escala de 600 V o 600 A cuando la función Peak Hold (retención de lectura de valor máximo) o MIN MAX se encuentra activada.

Especificaciones

Pantalla: Pantalla de cristal líquido (LCD) de 3-3/4-dígitos,
(resolución máxima de 4.000 puntos) y gráfico de barras de 42 segmentos

Frecuencia de muestreo:

Pantalla numérica: 1,5 por segundo

Pantalla de gráfico de barras: 13 por segundo

Abertura de la pinza: 35 mm (1,38 pulgadas)

Categoría de medición: Categoría III, 600 V

Coefficiente de temperatura: 0,2 x (precisión) por °C mayor de 28°C o menor de 18°C

Condiciones de operación:

Temperatura:

0°C a 30°C (32°F a 86°F), 0% a 80% de humedad relativa, sin condensación

30°C a 40°C (86°F a 104°F), 0% a 75% de humedad relativa, sin condensación

40°C a 50°C (104°F a 122°F), 0% a 45% de humedad relativa, sin condensación

Altura: 2.000 m (6.500 pies) máximo

Uso en interiores únicamente.

Condiciones de almacenamiento: -20°C a 60°C (-4°F a 131°F),

0% a 80% de humedad relativa, sin condensación

Reemplace la pila.

Grado de contaminación: 2

Pila: Una pila de 9 V (NEDA 1604, JIS 006P o IEC 6F22)

Vida útil de la pila: Aproximadamente 200 horas con pilas alcalinas

Categorías de medición

Las siguientes definiciones proceden de la norma de seguridad internacional sobre la coordinación de aislamientos tal y como se aplica a equipos de medición, control y laboratorio. En las publicaciones IEC 61010-1 y IEC 60664 de la International Electrotechnical Commission (Comisión Electrotécnica Internacional) se detallan más a fondo estas categorías de medición.

Categoría de medición I

Nivel de señal. Equipo electrónico y de telecomunicaciones, o partes del mismo. Como ejemplo pueden citarse los circuitos electrónicos protegidos contra tensiones momentáneas dentro de fotocopiadores y modems.

Categoría de medición II

Nivel local. Aparatos eléctricos, equipo portátil, y los circuitos a los que están conectados. Como ejemplo pueden citarse dispositivos de iluminación, televisores y circuitos de rama larga.

Categoría de medición III

Nivel de distribución. Máquinas instaladas permanentemente y los circuitos a los que están cableados. Como ejemplo pueden citarse sistemas conductores y los paneles del interruptor automático principal del sistema eléctrico de un edificio.

Categoría de medición IV

Nivel de abastecimiento primario. Líneas aéreas y otros sistemas de cable. Como ejemplo pueden citarse cables, medidores, transformadores y cualquier otro equipo exterior perteneciente a la empresa de servicio eléctrico.

Mantenimiento

▲ PRECAUCIÓN

- No intente reparar esta unidad, ya que contiene partes que deben recibir mantenimiento por parte de un profesional.
- No exponga la unidad a ambientes de temperatura extrema o altos niveles de humedad. Consulte la sección “Especificaciones”.

De no observarse estas precauciones podrían sufrirse lesiones o daños a la unidad.

Cómo reemplazar la pila

▲ ADVERTENCIA

Antes de retirar la tapa del compartimiento de las pilas, retire del circuito los cables de prueba (o la pinza), y apague la unidad.

De no observarse esta advertencia pueden sufrirse graves lesiones o incluso la muerte.

1. Desconecte la unidad del circuito.
2. Retire el tornillo de la tapa del compartimiento de las pilas.
3. Retire la tapa del compartimiento de las pilas.
4. Reemplace la pila. Fíjese en la polaridad.
5. Vuelva a colocar la tapa y el tornillo.

Limpieza

Limpie periódicamente la caja utilizando un paño húmedo y detergente suave; no utilice abrasivos ni solventes.

Description

Les contrôleurs à pinces analogiques CM-900 et CM-950 de Greenlee sont des appareils portables conçus pour mesurer la tension c.a. et c.c., le courant c.a. et c.c., la fréquence, de même que la résistance. Ils vérifient également la continuité. Le CM-950 est un multimètre à lecture efficace vraie (RMS).

Les fonctions et capacités spécialisées comprennent :

- Sélection automatique de plage
- Affichage rétroéclairé
- Mise hors tension automatique
- Mémorisation de mesure
- Mémorisation de MIN et MAX
- Maintien de crête
- Graphique à barres de 42 segments

Sécurité

Lors de l'utilisation et de l'entretien des outils et des équipements de Greenlee, votre sécurité est une priorité. Ce manuel d'instructions et toute étiquette sur l'outil fournit des informations permettant d'éviter des dangers ou des manipulations dangereuses liées à l'utilisation de cet outil. Suivre toutes les consignes de sécurité indiquées.

Dessein

Ce manuel d'instructions est conçu pour que le personnel puisse se familiariser avec les méthodes d'utilisation et d'entretien sûres des multimètres numériques à pinces CM-900 et CM-950 de Greenlee.

Mettre ce manuel à la disposition de tous les employés.

On peut obtenir des exemplaires gratuits sur simple demande.

Toutes les spécifications sont nominales et peuvent changer avec l'amélioration de la conception. Greenlee Textron ne peut être tenue responsable des dommages résultant d'une application inappropriée ou d'un mauvais usage de ses produits.

® Enregistré : La couleur verte des instruments de vérification électrique est une marque de commerce déposée de Greenlee Textron.

CONSERVER CE MANUEL

Consignes de sécurité importantes



SYMBOLE D'AVERTISSEMENT

Ce symbole met en garde contre les risques et les manipulations dangereuses pouvant entraîner des blessures ou l'endommagement du matériel. Le mot indicateur, défini ci-dessous, indique la gravité du danger. Le message qui suit le mot indicateur indique comment empêcher le danger.

⚠ DANGER

Danger immédiat qui, s'il n'est pas pris en considération ENTRAINERA des blessures graves, voire mortelles.

⚠ AVERTISSEMENT

Danger qui, s'il n'est pas pris en considération, POURRAIT entraîner des blessures graves, voire mortelles.

⚠ ATTENTION

Dangers ou manipulations dangereuses qui, s'ils ne sont pas pris en considération, POURRAIENT EVENTUELLEMENT entraîner des dommages à la propriété ou causer des blessures.



⚠ AVERTISSEMENT

Lire attentivement et bien comprendre cette documentation avant d'utiliser ou de procéder à l'entretien de cet équipement. Négliger de comprendre comment utiliser cet outil en toute sécurité peut provoquer un accident et entraîner des blessures graves, voire mortelles.

Consignes de sécurité importantes



⚠ AVERTISSEMENT

Risques de décharge électrique :

Un contact avec des circuits sous tension peut entraîner des blessures graves, voire mortelles.

⚠ AVERTISSEMENT

Risques de décharge électrique et d'incendie :

- Ne pas exposer cet appareil à la pluie ou à l'humidité.
- Ne pas utiliser cet appareil s'il est mouillé ou endommagé.
- Utiliser des fils d'essai ou des accessoires conformes à l'application. Se reporter à la catégorie et la tension nominale du fil d'essai ou de l'accessoire.
- Vérifier les fils d'essai ou l'accessoire avant de les utiliser. La pièce (ou les pièces) doi(ven)t être propre(s) et sèche(s) et l'isolation en bon état.
- Utiliser cet appareil uniquement dans le but pour lequel il a été conçu, tel que décrit dans ce manuel. Toute autre utilisation peut altérer le système de protection de cet appareil.

L'inobservation de ces consignes peut entraîner des blessures graves, voire mortelles.

⚠ AVERTISSEMENT

Risques de décharge électrique :

- Ne pas appliquer plus que la tension nominale entre deux bornes d'entrée, ou entre une borne d'entrée et une prise de terre.
- Ne pas entrer en contact avec les extrémités des fils d'essai ou avec toute autre partie non isolée de l'accessoire.

L'inobservation de ces consignes peut entraîner des blessures graves, voire mortelles.

Consignes de sécurité importantes

AVERTISSEMENT

- Ne pas utiliser lorsque la pile ou le boîtier est ouvert.
- Avant d'enlever le boîtier ou la pile, retirer les fils d'essai (ou la pince) du circuit et mettre l'appareil hors tension.

L'inobservation de ces consignes peut entraîner des blessures graves, voire mortelles.

ATTENTION

Ne pas modifier la fonction de mesure pendant que les fils d'essai sont connectés à un composant ou à un circuit.

L'inobservation de cette consigne peut endommager l'appareil et entraîner des blessures.

ATTENTION

- Ne pas tenter de réparer cet appareil. Il ne comporte aucune pièce pouvant être réparée.
- Ne pas exposer l'appareil à des températures ou à une humidité extrêmes. Se reporter à la section des « Spécifications ».

L'inobservation de ces consignes peut endommager l'appareil et entraîner des blessures.

IMPORTANT

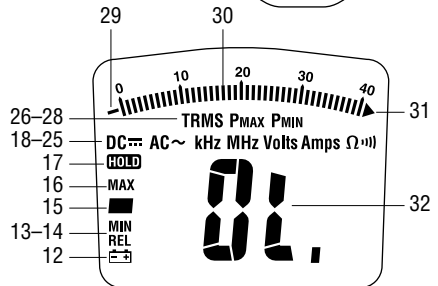
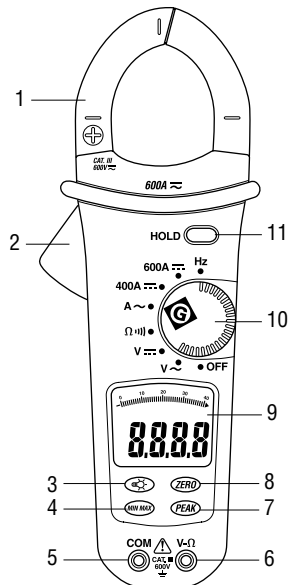
- Sauf si l'on mesure la tension, le courant ou la fréquence, mettre hors tension et couper la source d'alimentation. S'assurer que tous les condensateurs sont déchargés. Aucune tension ne doit être présente.
- L'utilisation de cet appareil à proximité d'équipements qui génèrent des interférences électromagnétiques peut produire des lectures instables ou erronées.

Identification

1. Pince
2. Levier
3. Bouton de rétroéclairage
4. Bouton MIN et MAX
5. Borne d'entrée commune (COM)
6. Borne d'entrée de volts ou de résistance (V-Ω)
7. Bouton de crête (PEAK)
8. Bouton ZERO
9. Afficheur
10. Sélecteur
11. Bouton de garde (HOLD)

Icônes de l'afficheur

12. Indicateur de pile faible
13. **REL** Etat de la fonction ZERO du courant c.c.
14. **MIN** Fonction de maintien MIN activée.
15. **-** Indicateur de polarité pour l'afficheur numérique
16. **MAX** Fonction de maintien MAX activée.
17. **HOLD** Fonction de maintien activée.
18. **DC** Mesure du c.c. sélectionnée
19. **AC** Mesure du c.a. sélectionnée
20. **kHz** Kilohertz
21. **MHz** Mégahertz
22. **Volts** Tension
23. **Amps** Ampères
24. **Ω** Ohms
25. **|||)** Continuité
26. **TRMS** RMS véritable (CM-950 seulement)
27. **P_{MAX}** Fonction de maintien de crête MAX activée.
28. **P_{MIN}** Fonction de maintien de crête MIN activée.
29. **-** Indicateur de polarité pour le graphique à barres
30. **|** Élément de graphique à barres
31. **▶** Indicateur de surcharge pour le graphique à barres
32. **OL.** Indicateur de surcharge pour l'afficheur numérique



Symboles apparaissant sur l'appareil

- Avertissement — Lire le manuel d'instructions
- Isolation double
- Pile

Utilisation des fonctions



Appuyer pour rétroéclairer l'afficheur. Appuyer de nouveau pour l'éteindre. Le rétroéclairage s'éteint automatiquement après environ une (1) minute.

- Bouton de garde (HOLD)**

Appuyer quelques secondes pour maintenir la valeur en cours sur l'afficheur. Appuyer de nouveau pour revenir au mode normal.

- Mise hors tension automatique**

L'appareil s'éteint de lui-même après environ 30 minutes d'inactivité.

Pour désactiver cette fonction, appuyer sur **PEAK, MIN MAX**, ou sur  pendant la mise sous tension du contrôleur.

- Bouton MIN et MAX**

Appuyer quelques secondes pour commencer l'enregistrement des valeurs d'entrée minimales et maximales. Appuyer quelques secondes pour faire défiler les modes d'affichage, tel qu'illustré dans le tableau ci-dessous. Pour cette fonction, le contrôleur utilise la tension ou la plage de courant la plus haute.

| Icône | Afficheur |
|---------------------------------|-----------------------------|
| MAX | Valeur maximale enregistrée |
| MIN | Valeur minimale enregistrée |
| MAX MIN (clignotant) | Valeur actuelle mesurée |

Appuyer et maintenir pour sortir de ce mode.

Utilisation des fonctions (suite)

- **Bouton de crête (PEAK)**

Appuyer quelques secondes pour commencer l'enregistrement des valeurs de crête c.a. minimales et maximales. Appuyer quelques secondes pour faire défiler les modes d'affichage, tel qu'illustré dans le tableau ci-dessous. Pour cette fonction, le contrôleur utilise la tension ou la plage de courant la plus haute.

| Icône | Afficheur |
|--------------------------|--------------------------------------|
| P_{MAX} | Valeur de crête maximale enregistrée |
| P_{MIN} | Valeur de crête minimale enregistrée |

Appuyer et maintenir pour sortir de ce mode. « CAL » apparaît brièvement sur l'afficheur lorsque les circuits internes sont réinitialisés.

- **Bouton ZERO**

Appuyer quelques secondes afin de compenser pour le magnétisme résiduel dans la mâchoire. « REL » apparaît sur l'afficheur. Appuyer encore une fois quelques secondes pour afficher la mesure non compensée. La valeur d'écart enregistrée est sauvegardée. « REL » clignote. Maintenir appuyé pour effacer la valeur d'écart sauvegardée et revenir à la mesure non compensée.

Répéter la procédure après avoir modifié les plages de courant c.c.

Mesure du c.a.




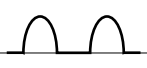
En règle générale, les mesures du c.a sont affichées en valeurs RMS (moyenne effective). La valeur RMS équivaut à la valeur d'une forme d'onde c.c., qui fournirait la même puissance si elle remplaçait la forme d'onde qui varie en fonction du temps. Les deux méthodes de mesure du c.a. sont étalonnées pour une réponse moyenne RMS et une lecture RMS vraie.

La méthode par réponse moyenne consiste à mesurer la valeur moyenne du signal d'entrée après un redressement onde-pleine, à la multiplier par 1,11 et à afficher le résultat. Cette méthode est précise si le signal d'entrée est une onde sinusoïdale pure. Le Greenlee CM-900 mesure la réponse moyenne.

La méthode par mesure de la valeur efficace vraie (RMS) fait appel à un circuit interne permettant de mesurer directement la valeur efficace. Cette méthode est précise dans les limites du facteur de crête spécifiées, que le signal soit une onde sinusoïdale pure, une onde carrée, une onde triangulaire, une demi-onde ou un signal comportant des harmoniques. Les appareils à mesure de valeur efficace vraie (RMS) sont beaucoup plus polyvalents que les appareils conventionnels. Le multimètre CM-950 de Greenlee lit la valeur efficace vraie (RMS).

Le tableau des formes d'onde et facteurs de crête fournit les valeurs efficaces des signaux alternatifs courants.

Formes d'ondes et facteurs de crêtes

| Forme d'onde |  |  |  |  |
|--------------------------------|---|---|---|---|
| Valeur RMS | 100 | 100 | 100 | 100 |
| Valeur moyenne | 90 | 100 | 87 | 64 |
| Facteur de crête* (ξ) | 1,414 | 1 | 1,73 | 2 |

* Le facteur de crête correspond au ratio de la valeur de crête par rapport à la valeur RMS ; il est représenté par la lettre grecque ξ .

Utilisation



⚠ AVERTISSEMENT

Risques de décharge électrique :

Un contact avec des circuits sous tension peut entraîner des blessures graves, voire mortelles.

- Régler le sélecteur à partir du Tableau des réglages. Pour le courant c.a., commencer avec la plage de 600 A.
- Se reporter aux « Mesures types » pour obtenir des instructions de mesure spécifiques.
- Vérifier l'appareil sur un circuit ou sur un composant connu.
 - Si l'appareil ne fonctionne pas comme prévu sur un circuit dont le fonctionnement est connu, remplacer la pile (les piles).
 - Si l'appareil ne fonctionne toujours pas comme prévu, le renvoyer à Greenlee pour qu'il soit réparé. Se reporter aux instructions de la garantie.
- Lire le circuit ou le composant à vérifier.
- Si la lecture est en c.c., enlever la pince du circuit et appuyer sur le bouton **ZERO**. Serrer encore la mâchoire autour du circuit pour mesurer le courant c.c. actuel.

Si la résolution n'est pas satisfaisante sur la plage de 600 A, enlever le multimètre du conducteur et passer à la plage de 400 A. Répéter les étapes 4 et 5.

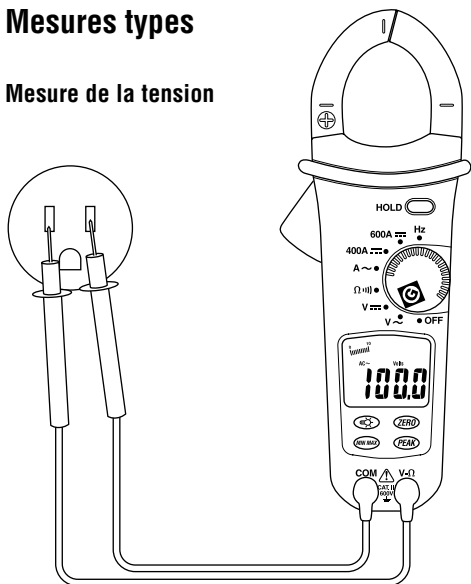
Tableau des réglages

| Pour mesurer cette valeur ... | régler le sélecteur à ce symbole ... | connecter le fil rouge à ... | et connecter le fil noir à ... |
|-------------------------------|--------------------------------------|------------------------------|--------------------------------|
| Continuité* | Ω (bip) | V- Ω | COM |
| Résistance | Ω (bip) | V- Ω | COM |
| Tension c.c. | V \equiv | V- Ω | COM |
| Tension c.a. | V \sim | V- Ω | COM |
| Courant c.c. (600 A max) | 600A \equiv | Enlever le fil | Enlever le fil |
| Courant c.c. (400 A max) | 400A \equiv | Enlever le fil | Enlever le fil |
| Courant c.a. (600 A max) | A \sim | Enlever le fil | Enlever le fil |
| Fréquence | Hz | Enlever le fil | Enlever le fil |

* Une tonalité se fait entendre si la résistance mesurée est inférieure à environ 30 Ω .

Mesures types

Mesure de la tension

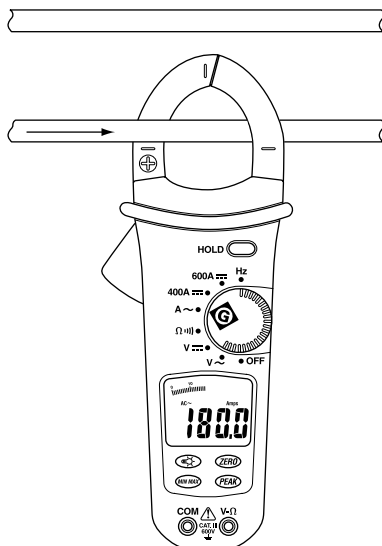


Mesure du courant — Serrer la pince autour du câble

Remarques :

- Serrer la pince autour d'un seul conducteur.
- Fermer complètement la pince pour garantir une mesure exacte.
- Pour plus de précision, centrer le câble dans la pince.

Remarque : Lors des mesures du courant c.c., le courant qui circule à travers la pince dans la direction indiquée par la flèche produit une lecture positive. Placer la pince de façon à obtenir la lecture positive la plus précise.

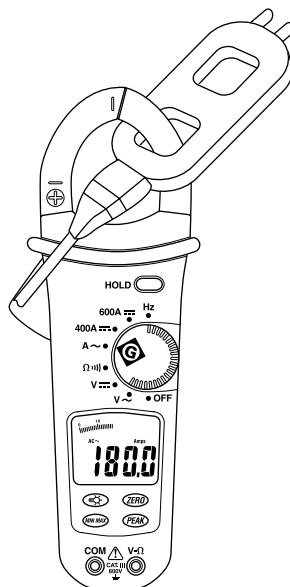


Mesures types

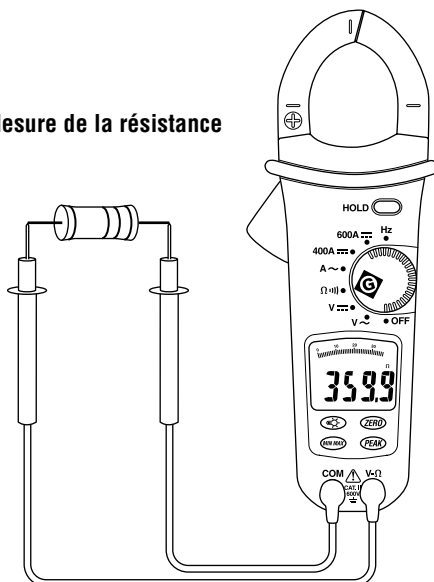
Mesure du courant — Mettre la pince autour d'un séparateur de ligne

Remarques :

- Le séparateur de ligne 93-30 de Greenlee est divisé. Une section donne des ampères ; l'autre des ampères multipliés par 10.
- Fermer complètement la pince pour garantir une mesure exacte.
- Pour plus de précision, centrer le séparateur de ligne dans la pince.

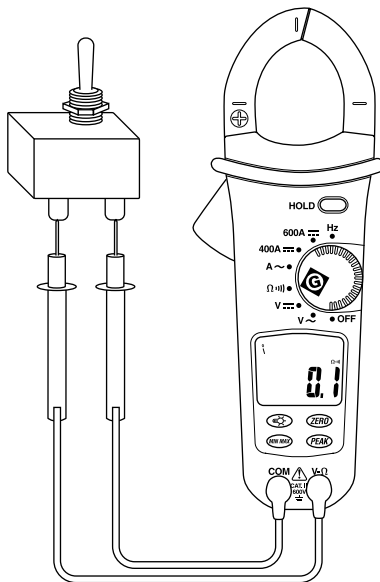


Mesure de la résistance



Mesures types

Vérification de la continuité



Précision

Pour obtenir les conditions d'utilisation et les coefficients de température, consulter la section sur les « Spécifications ».

La précision est spécifiée comme suit : \pm (un pourcentage de la lecture + une quantité fixe) de 18 à 28 °C (64 à 82 °F), 0 à 80 % d'humidité relative.

Courant c.a.

| Plage | Valeur d'entrée | Précision (50 à 60 Hz) | Précision (61 à 400 Hz) |
|---------|-----------------|--------------------------------|--------------------------------|
| 400,0 A | 0,0 à 320,0 A | $\pm (1,5 \% + 0,5 \text{ A})$ | $\pm (2,0 \% + 0,5 \text{ A})$ |
| | 320,0 à 400,0 A | $\pm (3,1 \% + 0,5 \text{ A})$ | $\pm (3,6 \% + 0,5 \text{ A})$ |
| 600 A | 400 à 600 A | $\pm (2,0 \% + 7 \text{ A})$ | $\pm (2,5 \% + 7 \text{ A})$ |

$\pm 1,0 \%$ d'erreur de position

Tension c.a.

| Plage | Précision | Bande passante | Impédance d'entrée |
|---------|-------------------------------|----------------|--------------------------|
| 400,0 V | $\pm (1,0\% + 0,5 \text{ V})$ | 50 à 500 Hz | 1 M Ω < 100 pF |
| 600 V | $\pm (1,0\% + 5 \text{ V})$ | | |

La saisie du CM-900 est étalonnée pour une valeur efficace vraie (RMS) moyenne.

Le CM-950 mesure la valeur efficace vraie (RMS). La spécification de précision du c.a. s'applique aux ondes sinusoïdales à leur pleine échelle et aux ondes non-sinusoïdales inférieures à la demi-grandeur. Pour les ondes non sinusoïdales, ajouter les corrections de facteur de crête suivantes :

- Facteur de crête de 1,4 à 2,0 : 1,0 %
- Facteur de crête de 2,0 à 2,5 : 2,5 %
- Facteur de crête de 2,5 à 3,0 : 4,0 %

Le facteur de crête maximal est 3 à 400 A ou 400 V et 2 à 600 A ou 600 V.

Précision (suite)

Courant c.c.

| Plage | Précision |
|---------|--------------------------------|
| 400,0 A | $\pm (1,2 \% + 0,5 \text{ A})$ |
| 600 A | $\pm (1,9 \% + 7 \text{ A})$ |

Erreur de position : 1 %

Erreur rémanente : 1 % de la crête actuelle

Tension c.c.

| Plage | Précision | Impédance d'entrée |
|---------|--------------------------------|--------------------|
| 400,0 V | $\pm (0,7 \% + 0,2 \text{ V})$ | 1 M Ω |
| 600 V | $\pm (0,7 \% + 2 \text{ V})$ | |

Résistance

| Plage | Précision |
|----------------|-----------------------------|
| 400,0 Ω | $\pm (1,0 \% + 0,3 \Omega)$ |

Protection contre la surtension de 660 V

Fréquence (Mode de courant)

| Plage | Précision | Entrée minimale |
|-------------------|------------------------------------|-----------------|
| 0,020 à 0,400 kHz | $\pm (0,1 \% + 0,002 \text{ kHz})$ | 3 A RMS |

Maintien de crête

La précision des valeurs maintenues est de $\pm (3 \% + 15 \text{ chiffres})$.

La précision n'est pas spécifiée au-dessus d'une crête de 600 V et au-dessus d'une crête de 600 A.

Mini., maxi.

Ajouter ± 15 chiffres à la spécification de courant c.a./c.c.

Le multimètre passe à la plage du 600 V ou 600 A lorsque le maintien de crête ou MIN MAX est activé.

Spécifications

Affichage : 3-3/4 chiffres sur cristaux liquides (lecture maximale de 4 000) avec graphique à barres de 42 segments.

Taux d'échantillonnage :

Afficheur numérique : 1,5 par seconde

Affichage du graphique à barres : 13 par seconde

Ouverture de la pince : 35 mm (1,38 po)

Catégorie de mesure : Catégorie III, 600 V

Coefficient de température : 0,2 x (précision) par °C au-dessous de 18 °C ou au-dessus de 28 °C

Conditions d'utilisation :

Température :

0 à 30 °C (32 à 86 °F), 0 à 80 % d'humidité relative, sans condensation

0 à 40 °C (86 à 104 °F), 0 à 75 % d'humidité relative, sans condensation

40 à 50 °C (104 à 122 °F), 0 à 45 % d'humidité relative, sans condensation

Altitude : 2 000 m (6 500 pi) maximum

Utilisation à l'intérieur uniquement.

Conditions d'entreposage : -20 à 60 °C (-4 à 131 °F), 0 à 80 % d'humidité relative, sans condensation

Enlever la pile.

Degré de pollution : 2

Pile : Une pile de 9 V (NEDA 1604, JIS 006P ou IEC 6F22)

Durée de vie de la pile : Approximativement 200 heures avec des piles alcalines

Catégories de mesure

Ces définitions sont dérivées des normes internationales sur la sécurité pour la coordination de l'isolation telle qu'elle s'applique à la mesure, au contrôle et à l'équipement de laboratoire. Ces catégories de mesure sont expliquées plus en détail par la Commission électrotechnique internationale ; se reporter à l'une de ces deux publications : IEC 61010-1 ou IEC 60664.

Catégorie de mesure I

Niveau de signal. Pièces ou équipement électronique et de télécommunication. Par exemple, les circuits électroniques protégés contre les courants transitoires, dans les photocopieurs et les modems.

Catégorie de mesure II

Niveau local. Appareils, équipement portatif et les circuits dans lesquels ils sont branchés. Par exemple, les appareils d'éclairage, les téléviseurs et les dérivations.

Catégorie de mesure III

Niveau de distribution. Les machines installées en permanence et les circuits auxquels elles sont câblées. Par exemple, les systèmes de convoyeurs et les panneaux de disjoncteurs principaux du système électrique d'un édifice.

Catégorie de mesure IV

Niveau d'alimentation principal. Lignes surélevées et autres systèmes de câbles. Par exemple, les câbles, les multimètres, les transformateurs et autres équipements extérieurs appartenant aux fournisseurs en électricité.

Entretien

ATTENTION

- Ne pas tenter de réparer cet appareil. Il ne comporte aucune pièce pouvant être réparée.
- Ne pas exposer l'appareil à des températures ou à une humidité extrêmes. Se reporter à la section des « Spécifications ».

L'inobservation de ces consignes peut endommager l'appareil et entraîner des blessures.

Remplacement des piles

AVERTISSEMENT

Avant d'enlever le boîtier ou la pile, retirer les fils d'essai (ou la pince) du circuit et mettre l'appareil hors tension.

L'inobservation de cette consigne peut entraîner des blessures graves, voire mortelles.

1. Débrancher l'appareil du circuit.
2. Enlever la vis du couvercle du compartiment des piles.
3. Retirer le couvercle du compartiment des piles.
4. Remplacer la pile. Suivre la polarité.
5. Remettre en place le couvercle et la vis.

Nettoyage

Nettoyer régulièrement le boîtier avec un chiffon humide et un détergent doux. Ne pas utiliser de produits abrasifs ou de solvants.

Lifetime Limited Warranty

Greenlee Textron warrants to the original purchaser of these goods for use that these products will be free from defects in workmanship and material for their useful life, excepting normal wear and abuse. This warranty is subject to the same terms and conditions contained in Greenlee Textron's standard one-year limited warranty.

For all Test Instrument repairs, contact Customer Service at 800-435-0786 and request a Return Authorization. An Approved Authorization including shipping label and instructions will be sent.

For items not covered under warranty (such as items dropped, abused, etc.), a repair cost quote is available upon request.

Note: Prior to returning any test instrument, please check replaceable batteries or make sure the battery is at full charge.

Garantía limitada válida durante la vida útil del producto

Greenlee Textron le garantiza al comprador original de estos bienes de uso, que los mismos estarán libres de defectos de materiales y fabricación durante su vida útil; excepto en el caso de que sean maltratados o hayan sufrido el deterioro normal. Esta garantía está sujeta a los mismos términos y condiciones de la garantía estándar limitada válida por un año, otorgada por Greenlee Textron .

Para reparaciones de todo instrumento de verificación, comuníquese con el Departamento de Servicio al Cliente al 800-435-0786 y solicite una autorización de devolución. Se le enviará una Autorización Aprobada incluyendo una etiqueta de envío e instrucciones.

Puede obtener, previa solicitud, una cotización de precios de reparación para aquellos artículos que no están cubiertos bajo esta garantía (los que se han dejado caer o han sido maltratados).

Aviso: Antes de devolver un instrumento de verificación, revise si las pilas están bajas y es necesario reemplazarlas.

Garantie à vie limitée

La société Greenlee Textron garantit à l'acheteur d'origine de ces produits que ces derniers ne comportent aucun défaut d'exécution ou de matériau pour la durée de leur vie utile, sauf l'usure normale. Cette garantie est assujettie aux mêmes conditions que celles contenues dans les modalités et conditions de la garantie limitée standard d'un an de Greenlee Textron.

Pour toutes les réparations d'instruments de mesure, appeler le service après vente au 800 435-0786 et demander une autorisation de retour. Une autorisation approuvée, incluant une étiquette d'expédition et des instructions sera envoyée.

Lorsque les articles ne sont pas protégés par une garantie (comme si l'appareil tombe, s'il est soumis à un usage abusif, etc.), une soumission pour le prix de réparation sera présentée sur demande.

Remarque : Avant de renvoyer un appareil de mesure, vérifier les piles remplaçables ou s'assurer que la pile est chargée au complet.

For technical assistance: 800-435-0786

GREENLEE®

A Textron Company

4455 Boeing Drive, Rockford, IL 61109-2988 USA

Customer Service (International): 815-397-7070 • Fax: 815-397-9247

Customer Service (North America): 800-435-0786

USA Fax: 800-451-2632, 815-397-1865 • Canada Fax: 800-524-2853

Greenlee Textron is a subsidiary of Textron Inc.

www.greenlee.com