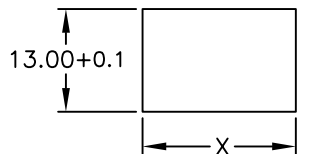
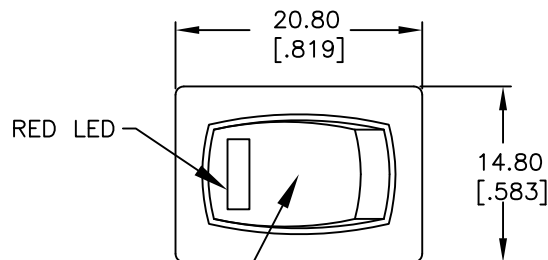


| PANEL THICKNESS       | X dimension     |
|-----------------------|-----------------|
| 0.75-1.25 [.030-.049] | 19.2-0.1 [.756] |
| 1.25-2.0 [.049-.079]  | 19.4-0.1 [.764] |
| 2.0-3.0 [.079-.118]   | 19.8-0.1 [.780] |



PANEL CUTOUT  
NOT TO SCALE

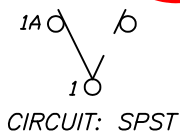


RED LED  
RED ACTUATOR  
BLACK HOUSING

RED L.E.D

| PARAMETERS           | SYMBOL      | MAX. | TYP. | UNITS   |
|----------------------|-------------|------|------|---------|
| POWER DISSIPATION    | $P_D$       | 80   |      | mW      |
| AVE FORWARD CURRENT  | $I_{AF}$    | --   |      | mA      |
| PEAK FORWARD CURRENT | $I_{PF}$    | 100  |      | mA      |
| REVERSE VOLTAGE      | $V_R$       | 5    |      | V       |
| FORWARD VOLTAGE      | $V_F$       | 2.6  | 1.7  | V       |
| REVERSE CURRENT      | $I_R$       |      | 100  | $\mu A$ |
| EMISSION WAVELENGTH  | $\lambda_P$ |      | 660  | nm      |
| LUMINOUS INTENSITY   | $I_v$       |      | 30   | mcd     |

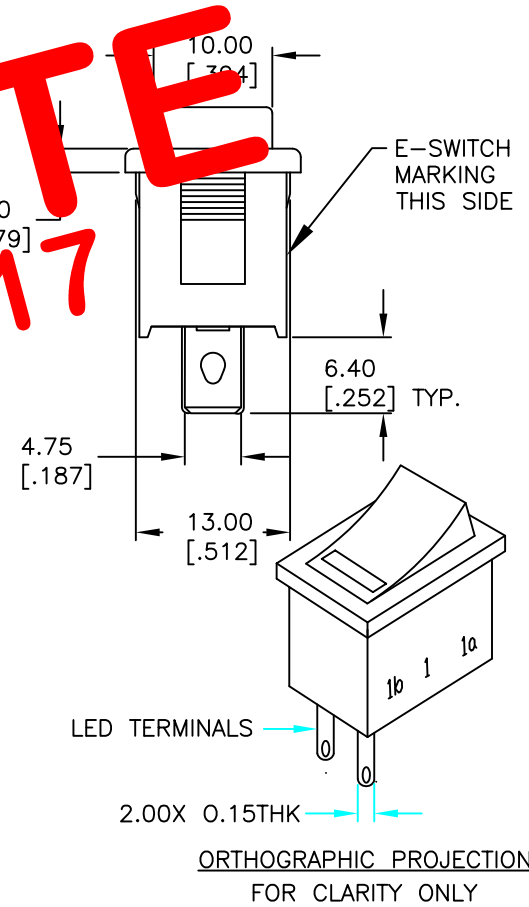
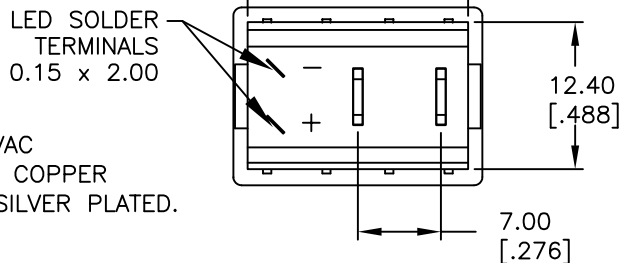
| SWITCH FUNCTION |        |
|-----------------|--------|
| PDS. 1          | PDS. 2 |
| ON              | OFF    |
| 1-1a            | OPEN   |



OBSOLETE  
November 2017  
PCR 23109

NOTES:

- ALL DIMENSIONS IN MM [INCH]
- GENERAL TOLERANCE: X.X=±0.4  
X.XX=±0.25
- TERMINAL NUMBERS FOR REF ONLY
- RATING: 15A @ 125VAC OR 6A @ 250VAC
- MATERIALS: (TERMINALS) SILVER PLATED COPPER  
(CONTACTS) COIN SILVER, SILVER PLATED.
- CONTACT RESISTANCE: <20 Mega
- ELECTRIC LIFE: 10,000 cycles
- INSULATION RESISTANCE: >1000 Mega
- DIELECTRIC STRENGTH: >1500V 1 minute  
>3000V between Poles



**E-SWITCH®**

|       |         |    |         |     |                        |  |  |  |  |
|-------|---------|----|---------|-----|------------------------|--|--|--|--|
| TITLE |         |    |         |     | R1966A BLK RED E F RED |  |  |  |  |
| SCALE | DATE    | DR | DWG     | REV |                        |  |  |  |  |
| 1.5:1 | 1/10/03 | CB | M309204 | A   |                        |  |  |  |  |