

TPCM 090706



Sample image

Order symbol: TPCM 090706

Product nbr: 5824020

Description: Enclosure. PC

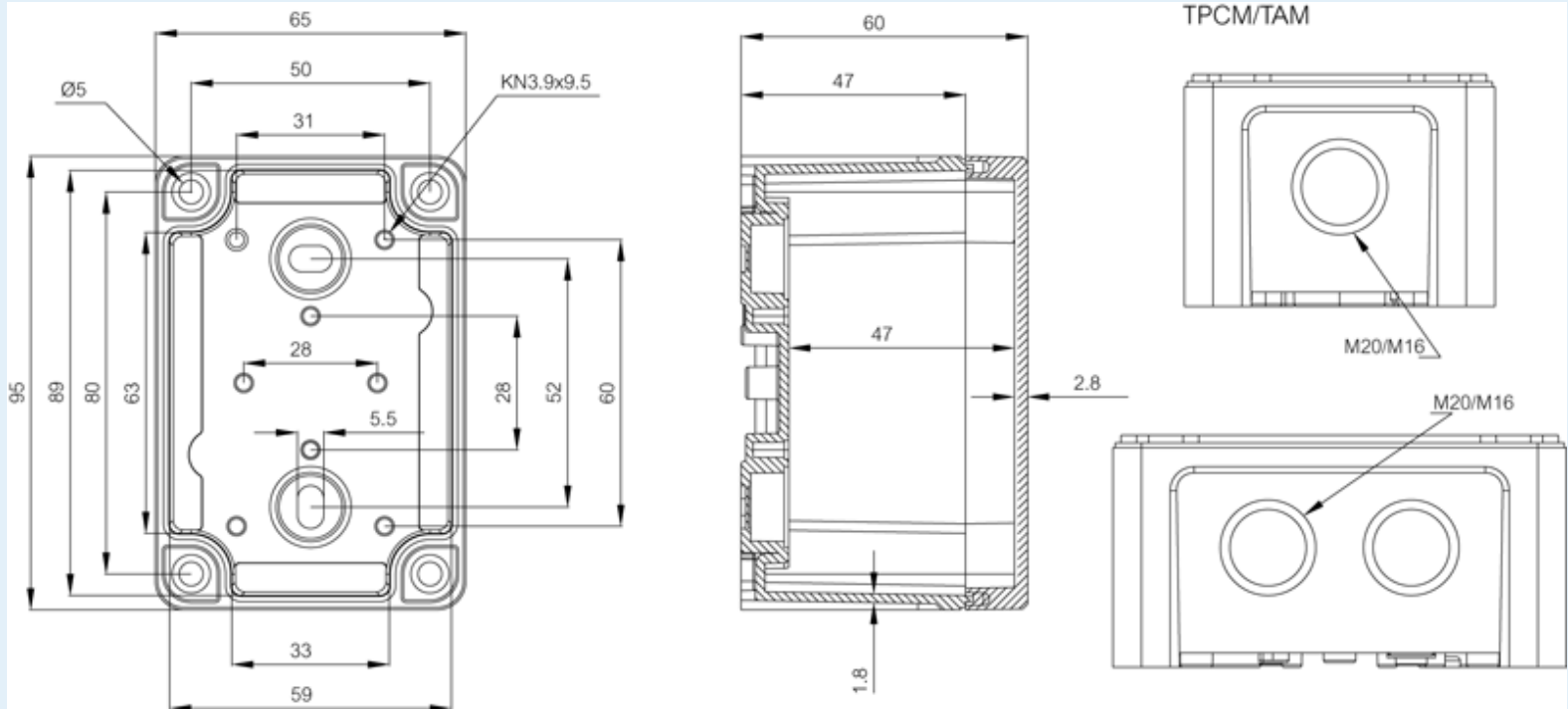
Remarks: Opaque cover

EAN: 6418074064929

Including:

El. number:

- Finland:
- Denmark:
- Sweden:



Dimensions:	Height	Width	Depth
mm:	95	65	60
inch:	3.74	2.56	2.36

Accessories:

FP 10674 Mounting foot kit (2 pcs) incl. screws

Materials:

Material: Polycarbonate
 Base colour:
 Cover colour:
 Gasket material:

Rating:

Ingress protection (EN 60529): IP65;
 Impact Resistance (EN 62262): IK07; IK08;
 Electrical insulation: Totally insulated
 Halogen free (DIN/VDE 0472, Part 815): 1
 UV resistance: -

Temperatures:

Temperature °C (short term)::	-40 ... 120
Temperature °C (continuous):	
Temperature °F (short term):	-40 ... 250
Temperature °F (continuous):	-40 ... 175

Flammability Rating:

UL 746C 5"

Glow Wire Test (IEC 695-2-1) °C:

960 °C

NEMA Class

Certificates:

Certificate FI 40343