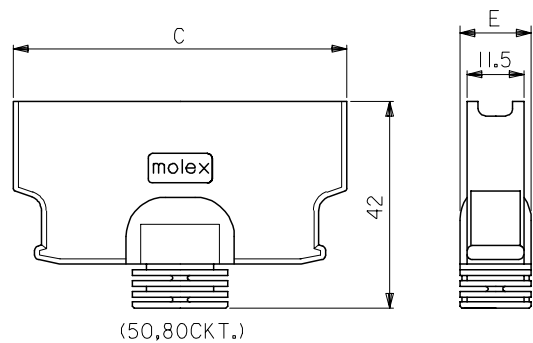
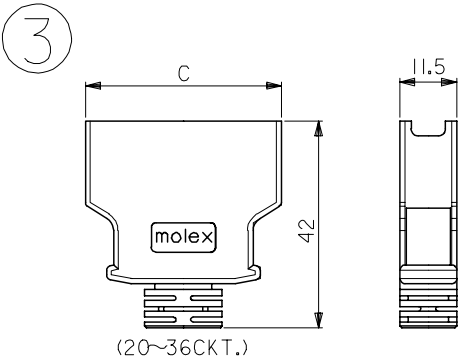
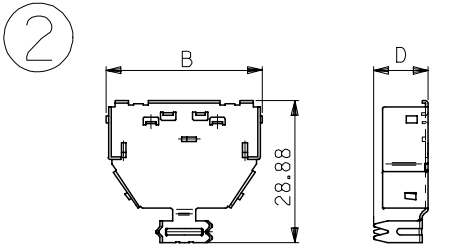
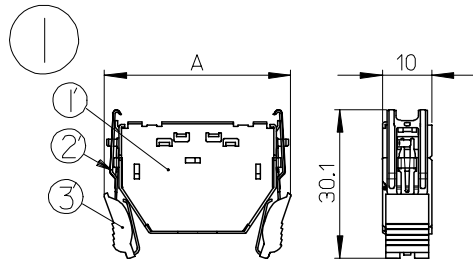


10 9 8 7 6 5 4 3 2 1

番号 NO.	部品名 PART NAME	個数 QUAN.	材質 MATERIAL		仕上げ FINISH
1	シェルカバーアッセンブリ SHELL COVER ASS'Y	1	鋼 STEEL		ニッケル下地、錫メッキ Ni(B)BASE, Sn plating
		2	ラッチカバー LATCH COVER	ABS樹脂 ABS	—#—
			ラッチ LATCH	ステンレス鋼 STAINLESS STEEL	—#—
2	シェルボディー SHELL BODY	1	鋼 STEEL		ニッケル下地、錫メッキ Ni(B)BASE, Sn plating
3	ブーツ BOOT	1	ABS樹脂 ABS		—#—



I. 適用電線: UL STYLE NO. 20276 相当品  
 APPLICABLE WIRE: FIT FOR UL STYLE NO. 20276

サイズ SIZE	導体 WIRE RANGE	絶縁体外径 INS. RANGE
AWG# 28	0.38 (7/0.127)	0.58

9.6~10.0	7.7~8.0	14.5	12.9	67.7	59.72	65.86	52370-8073	黒 BLACK	52370-8070	アイボリー IVORY	80
7.8~8.2	6.0~6.4	13	11.88	48.65	40.67	46.81	52370-5073		52370-5070		50
7.2~7.8	5.5~5.9	—#—	11.13	39.76	31.78	37.92	52370-3673		52370-3670		36
6.4~7.0	4.8~5.2	—#—	10.51	33.41	25.43	31.57	52370-2673		52370-2670		26
6.0~6.5	4.3~4.6	—#—	9.99	29.6	21.62	27.76	52370-2073		52370-2070		20
ジャケット外径 JACKET RANGE	編組シールド外径 SHIELD RANGE	E	D	C	B	A	ENG.No.	色 COLOR	ENG.No.	色 COLOR	極数 CKT.

REVISED EC NO: J2007-3523 DRW: TENAGASE 2007/07/18 CHK: MI SOGAYA 2007/07/18 APP: NUKITA 2007/07/18	GENERAL TOLERANCES (UNLESS SPECIFIED)		DIMENSION STYLE MM ONLY		SCALE 1:1	DESIGN UNITS METRIC	THIRD ANGLE PROJECTION		
	10 UNDER	±0.2	DRAWN BY O. SUZUKI		DATE 2006/04/11		TITLE 1.27 I/O SHELL COVER ASSY -LEAD FREE-		
	10 OVER 30 UNDER	±0.25	CHECKED BY KTOYODA		DATE 2006/04/11		MOLEX INCORPORATED		
	30 OVER	±0.3	APPROVED BY NUKITA		DATE 2006/04/11		SHEET NO. 1 OF 1		
	ANGULAR	±3 °	MATERIAL NO. SEE CHART		DOCUMENT NO. SD-52370-004				
	DRAFT WHERE APPLICABLE MUST REMAIN WITHIN DIMENSIONS				SIZE A3		THIS DRAWING CONTAINS INFORMATION THAT IS PROPRIETARY TO MOLEX INCORPORATED AND SHOULD NOT BE USED WITHOUT WRITTEN PERMISSION		