

MATERIALS AND FINISHES

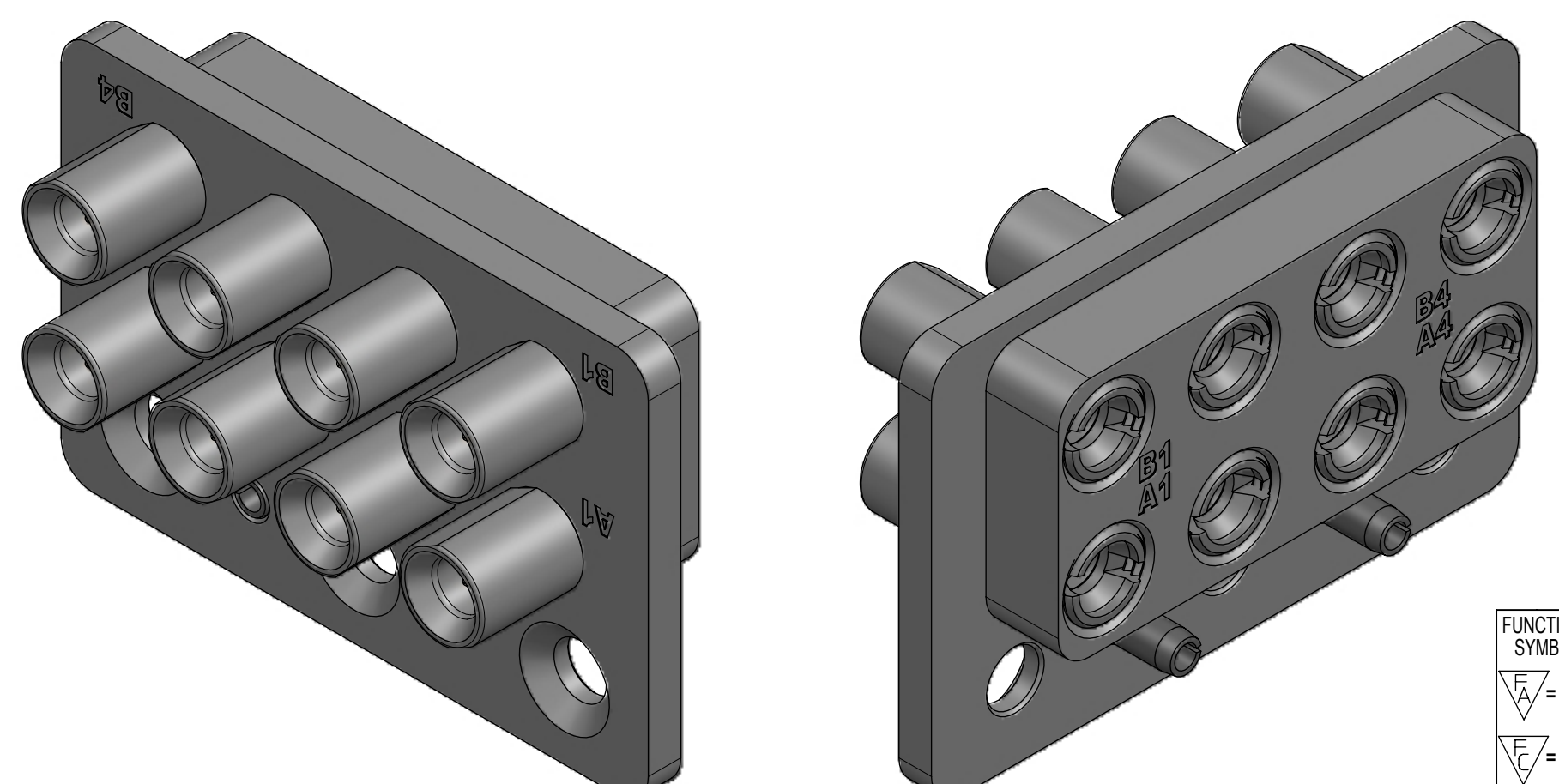
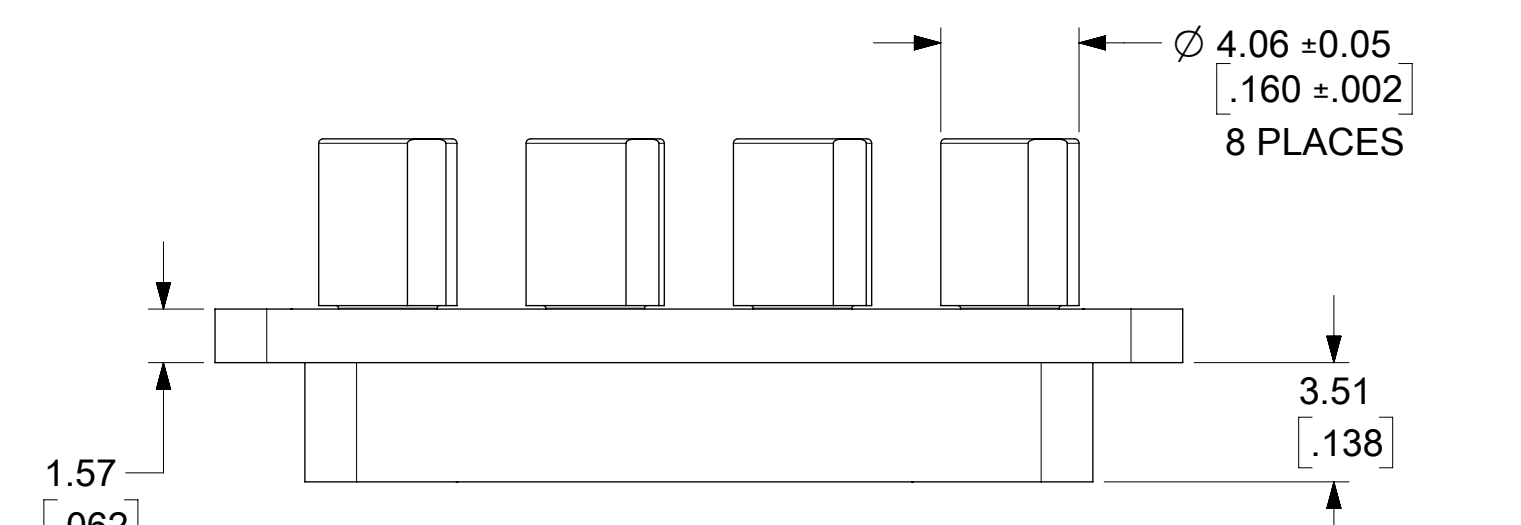
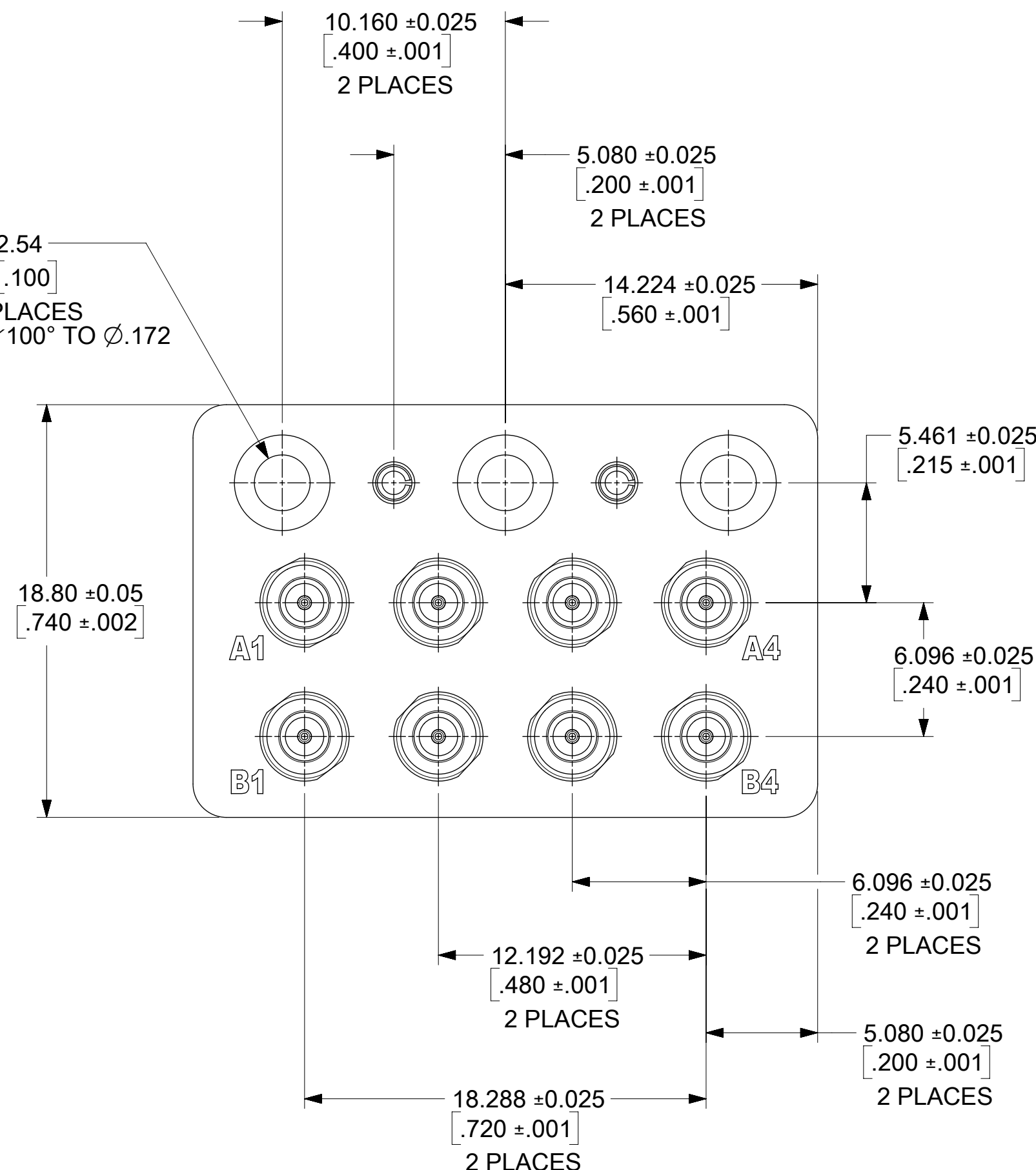
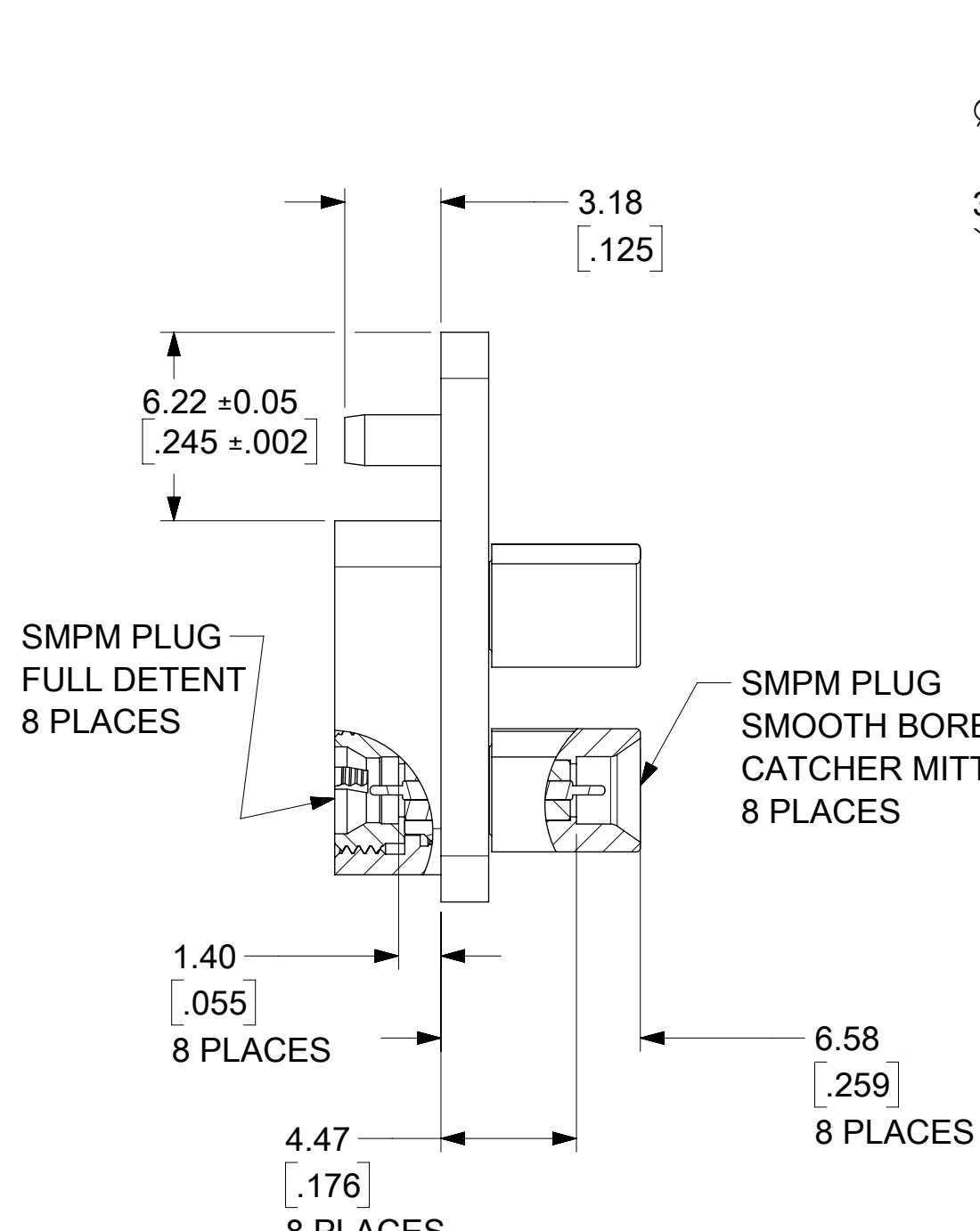
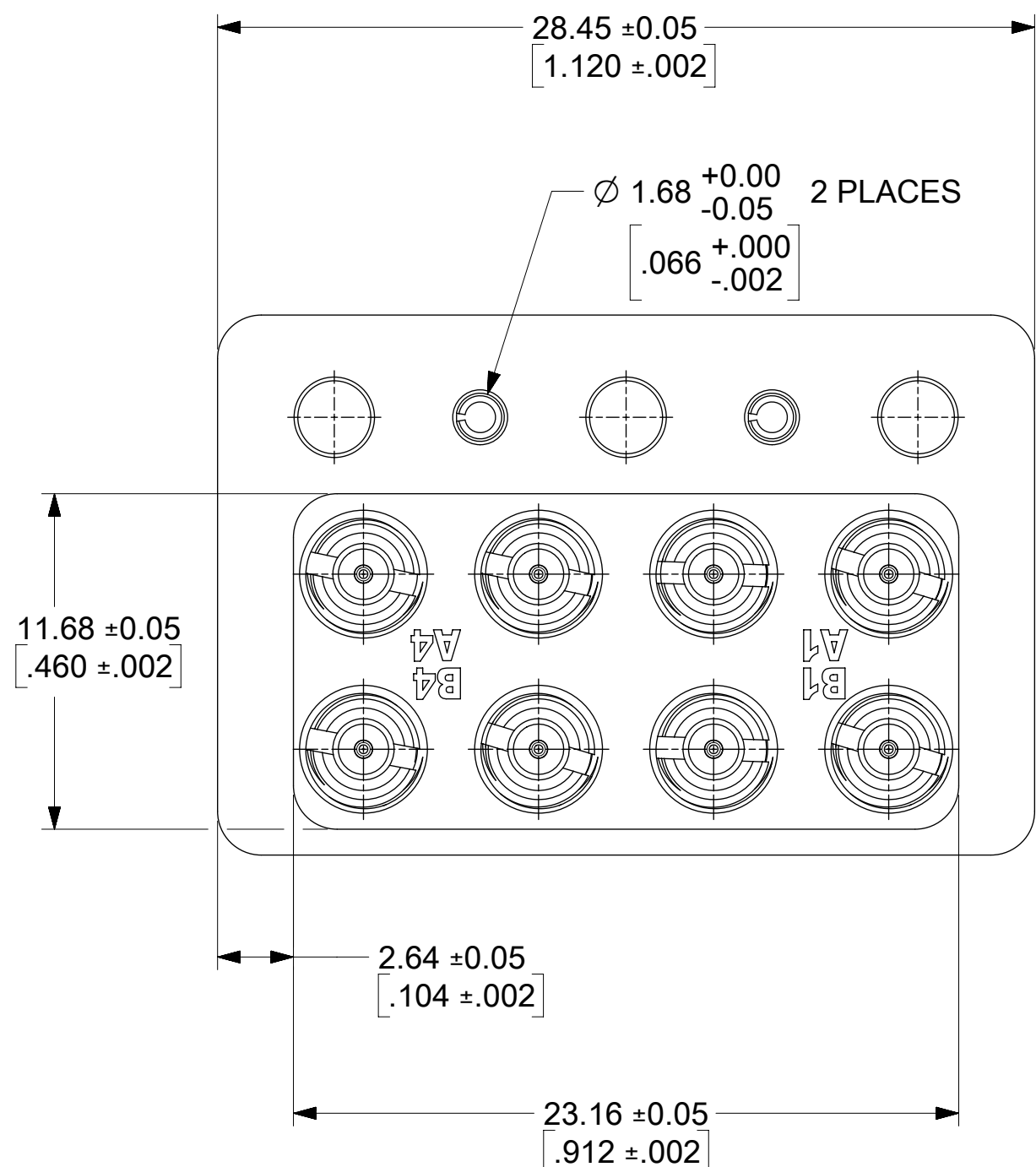
HOUSING, SMP DETENT SHROUD: STAINLESS STEEL
PASSIVATED

ALIGNMENT PINS: STAINLESS STEEL
PASSIVATED

BODY SMPM: STAINLESS STEEL
PLATED: GOLD (50µ-in MIN) OVER NICKEL (50µ-in MIN)

CONTACT: BERYLLIUM COPPER
PLATED: GOLD(50µ-in MIN) OVER NICKEL (50µ -In MIN)

INSULATORS: PTFE



PART # 733581150
SEE PS-89675-470 FOR PCB LAYOUT AND PLACEMENT

ANSI/VITA 67.2	NATIONAL STANDARD
PS-89675-470	PRODUCT SPECIFICATION
SPECIFICATION	DESCRIPTION

FUNCTIONAL SYMBOLS	THIS DRAWING CONTAINS INFORMATION THAT IS PROPRIETARY TO MOLEX ELECTRONIC TECHNOLOGIES, LLC AND SHOULD NOT BE USED WITHOUT WRITTEN PERMISSION			
	DIMENSION UNITS	SCALE	CURRENT REV DESC:	
$\frac{E}{A} = 0$	MM/IN	NTS	EC NO: 668152	
$\frac{E}{C} = 0$	GENERAL TOLERANCES (UNLESS SPECIFIED)		DRWN: BSHAH	2021/04/28
$\frac{E}{P} = 0$			CHK'D: SSSHAH	2021/06/29
DIVISIONAL SYMBOLS			APPR: KTAGAN	2021/06/29
	4 PLACES	±	INITIAL REVISION:	
	3 PLACES	±	DRWN: AROBERTSON	2013/10/04
	2 PLACES	±	APPR: JWIENER	2013/10/09
	1 PLACE	±	ANGULAR TOL	± 2.0 °
	0 PLACES	±	DRAFT WHERE APPLICABLE MUST REMAIN WITHIN DIMENSIONS	
			THIRD ANGLE PROJECTION	DRAWING
				C-SIZE
				SERIES
				73358
				MATERIAL NUMBER
				733581150
				CUSTOMER
				SHEET NUMBER
				1 OF 1

molex

VITA 67.2 8 PORT MODULE MID PLANE
SMPM PLUG VITA-SMPM, EWR-10029

PRODUCT CUSTOMER DRAWING

DOCUMENT NUMBER: SD-73358-115
DOC TYPE: PSD
DOC PART: 001
REVISION: B1

DOCUMENT STATUS	P1	RELEASE DATE	2021/06/29	14:37:24
-----------------	----	--------------	------------	----------