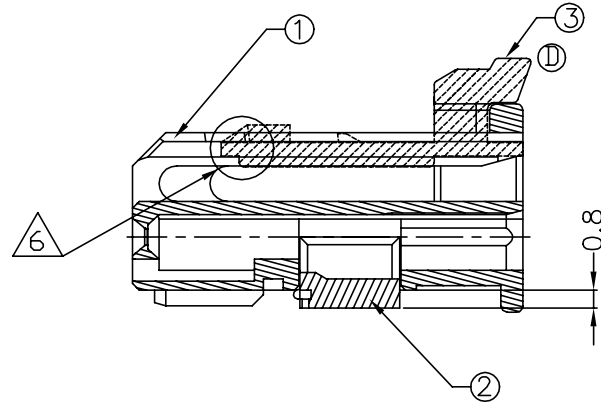
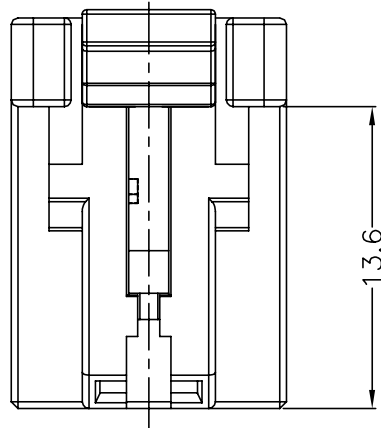
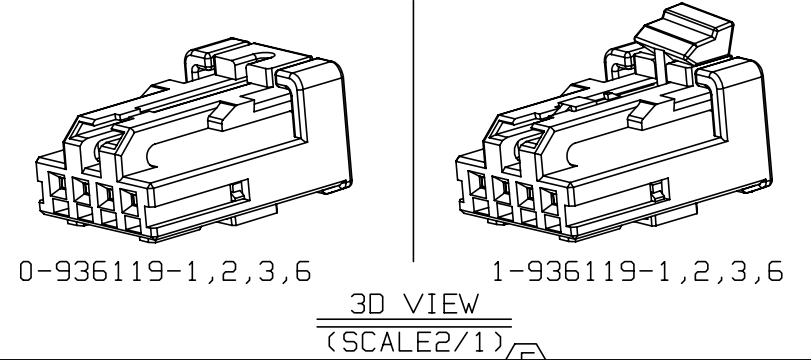
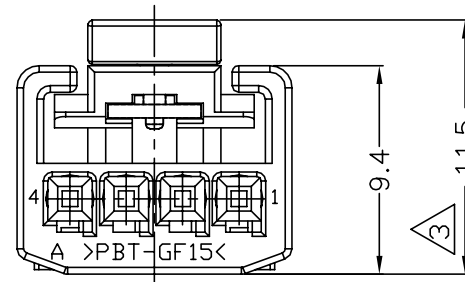
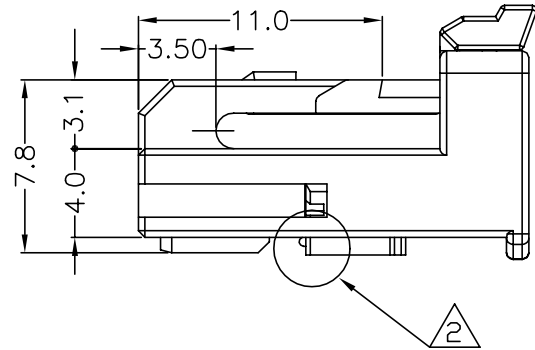
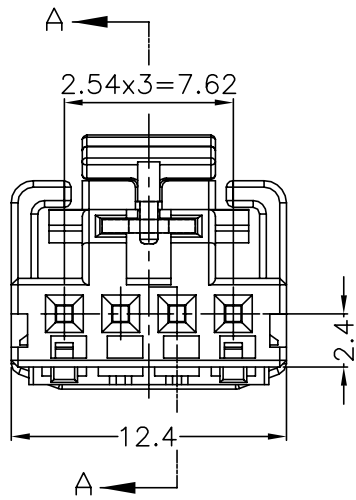


THIS DRAWING IS UNPUBLISHED. RELEASED FOR PUBLICATION
 © COPYRIGHT BY TYCO ELECTRONICS CORPORATION, ALL RIGHTS RESERVED.

LOC	DIST	REVISIONS					
		P	LTR	DESCRIPTION	DATE	DWN	APVD
DS	-		E2	REVISED (ECR-20-015117)	28,OCT,'20	JY	YJ
			F	REVISED (ECR-21-000652)	28,APR,'21	BH	YJ



SECTION A-A
(SCALE 2/1)



NOTES

1. GENERAL TOLERANCE IS ±0.3
 2. CONDITION OF DELIVERY : DBL IN 1ST LOCKING POSITION
 3. 1-936119-1,2,3 ONLY
 4. APPLIED CAP ASS'Y P/N: 936121
 5. APPLIED RECEPTACLE CONTACT P/N:
- | | | |
|-----------------------------|----------|--------|
| Part NO. | 928999 | 963715 |
| WIRE SIZE(mm ²) | 0.25~0.5 | 0.75 |
6. CONDITION OF DELIVERY : CPA IN 1ST LOCKING POSITION
 7. TE BRAZIL RAW MATERIAL : PBT-GF15
 8. TE BRAZIL RAW MATERIAL : PBT-GF20

ASSY P/N	DESCRIPTION
1-936119-6	PLUG ASS'Y WITH CPA
0-936119-6	PLUG ASS'Y (BLUE)
1-936119-3	PLUG ASS'Y WITH CPA
0-936119-3	PLUG ASS'Y (DARK GRAY)
1-936119-2	PLUG ASS'Y WITH CPA
0-936119-2	PLUG ASS'Y (YELLOW)
1-936119-1	PLUG ASS'Y WITH CPA
0-936119-1	PLUG ASS'Y (BLACK)

NO	COLOR	MATERIAL	DESCRIPTION	P/N	QTY			
3	WHITE	PBT-GF20	CPA HSG	936353-1	1			
2	WHITE	PBT-GF15	DBL HSG	936123-1	1	1	1	1
1	BLUE	PBT-GF15	PLUG HSG	936120-6	1	1		
	DARK GRAY	PBT-GF15	PLUG HSG	936120-3			1	1
	YELLOW	PBT-GF15	PLUG HSG	936120-2				1
	BLACK	PBT-GF15	PLUG HSG	936120-1				1

THIS DRAWING IS A CONTROLLED DOCUMENT FOR TYCO ELECTRONICS CORPORATION. IT IS SUBJECT TO CHANGE AND THE CONTROLLING ENGINEERING ORGANIZATION SHOULD BE CONTACTED FOR THE LATEST REVISION.

DWN : JM JEON
 CHK : JW JUNG
 APVD : HG CHO
 PRODUCT SPEC
 APPLICATION SPEC
 WEIGHT
 CUSTOMER DRAWING



MQS 4P PLUG ASSEMBLY

DIMENSIONS: MM	TOLERANCES UNLESS OTHERWISE SPECIFIED:
0 PLC	±
1 PLC	±
2 PLC	±
3 PLC	±
4 PLC	±
ANGLES	±
MATERIAL	FINISH
SEE TABLE	-----

NAME
 SIZE CAGE CODE DRAWING NO RESTRICTED TO
 A3 00779 C- 936119
 SCALE 3/1 SHEET 1 OF 1 REV F