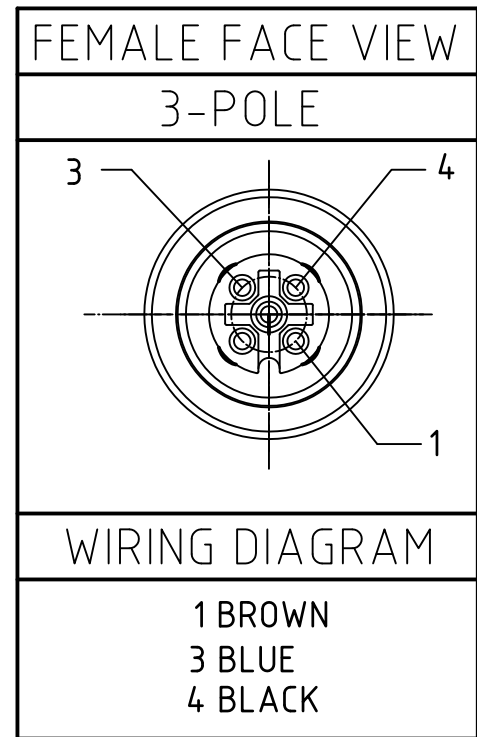


POL	MATERIAL NUMBER	ENGINEERING NUMBER	FINISHED LENGTH
3	1200790130	W03000K05M020	6.56' +3.5" -0 [2.0M +89 -0]

CONNECTOR SPECIFICATION:

VOLTAGE RATING	250 VAC/VDC
AMPERAGE RATING	max. 4 AMPS
CONTACT RESISTANCE	<5M Ohm
PROTECTION	IP67/68/69K
OPERATING TEMPERATURE	-25°C TO 90°C
UL CERTIFICATIONS	UL RECOGNIZED, FILE NO. E152210
ASSEMBLY IS	RoHS COMPLIANT



ITEM	COMPONENT	MATERIAL	FINISH
7	LABLE	MYLAR	BLACK/YELLOW
6	O-RING	VITON	GREEN
5	COUPLER	BRASS	NICKEL PLATED
4	CONTACT SOCKET	COPPER ALLOY	GOLD OVER NICKEL
3	INSERT	NYLON	BLACK
2	OVERMOLD	TPE (PUR)	YELLOW
1	CABLE- 22/3 AWG (COPPER STRANDING) 3 CONDUCT. 300V	JACKET: TPE	JACKET: YELLOW

DESCRIPTION EC NO: WEU2010-0350 DRWN: LSTEMMLE 2010/02/12 CHKD: NS APPR: FPACHER 2010/02/15	QUALITY SYMBOLS ▽ = 0 ▽ = 0	GENERAL TOLERANCES (UNLESS SPECIFIED)		DIMENSION STYLE IN/MM		SCALE 2:1	DESIGN UNITS METRIC	THIRD ANGLE PROJECTION
		4 PLACES	±---	±---	DRAWN BY	DATE	<b>MICRO-CHANGE ULTRA LOCK            3-POLE FEMALE STRAIGHT            #22/3 YELLOW TPE CABLE</b>	
		3 PLACES	±---	±---	LSTEMMLE	2010/02/12		
		2 PLACES	±---	±.01	CHECKED BY	DATE		
1 PLACE	±0.3	±---	FP	2010/02/12				
ANGULAR ± --- °		DRAFT WHERE APPLICABLE MUST REMAIN WITHIN DIMENSIONS		APPROVED BY FPACHER 2010/02/15		MOLEX INCORPORATED		
SIZE <b>A3</b>		SEE TABLE		MATERIAL NO. SD-120079-029		DOCUMENT NO. SD-120079-029		SHEET NO. 1 OF 1
THIS DRAWING CONTAINS INFORMATION THAT IS PROPRIETARY TO MOLEX INCORPORATED AND SHOULD NOT BE USED WITHOUT WRITTEN PERMISSION								