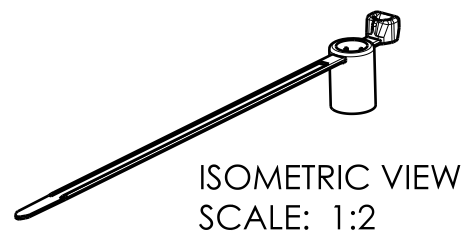
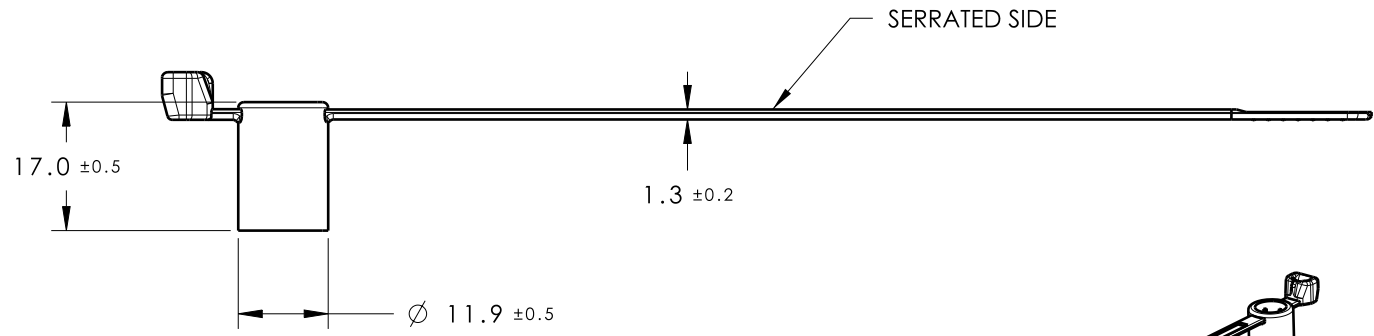
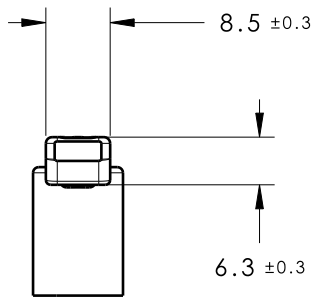
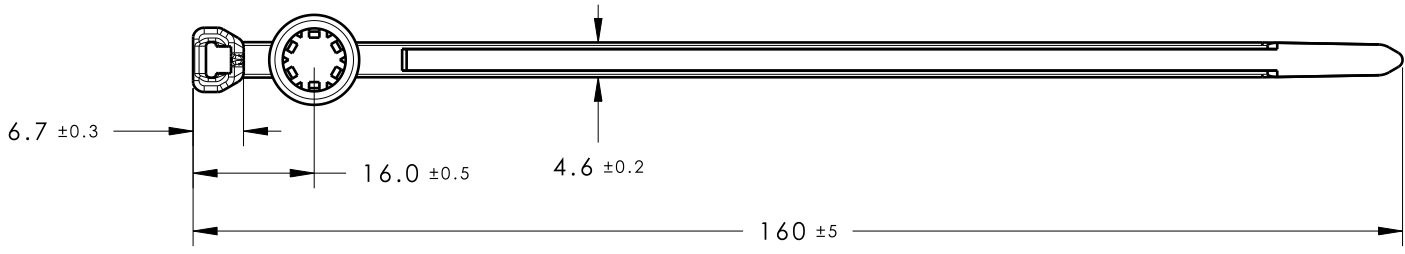


Revision Level			Revision Record	Changed	Date	Approved	Date
Drawing	State	Part					
00.0	Design Release	-	SEE ECN# 015341	CTF	08/06/2018	MHT	08/06/2018



GLOBAL PART DESCRIPTION	MATERIAL	COLOR	WELD STUD / SCREW SIZE	LOOP TENSILE	BUNDLE RANGE
T50SSBS6OT-E-PA66HS-BK	PA66HS	BLACK	6mm	200N	4 - 35mm

Material SEE CHART	Units	millimeters	The copyright of this drawing is reserved by HellermannTyton. It is issued on condition that it is not reproduced, copied or disclosed to a third party, either wholly or in part, without the consent of HellermannTyton.	Drawn	CTF	08/06/2019	Article/Type-No	T50SSBS6OT-E		Scale	1:1
	Tolerance defined on each dimension	Approved		MHT	08/06/2019	Title		FIXING TIE		Project Number	09-0143
		HellermannTyton			Drawing-No		PRODUCTION : Phase		Format	AH	
							North America Email: corp@htamericas.com Web: www.hellermann.tyton.com		09-0143-100-CSU		Sheet