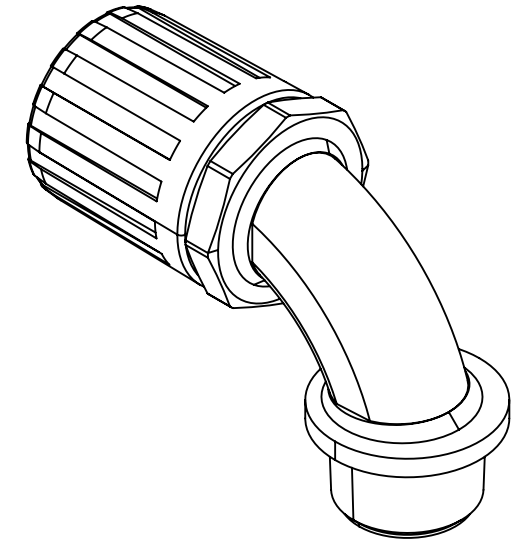
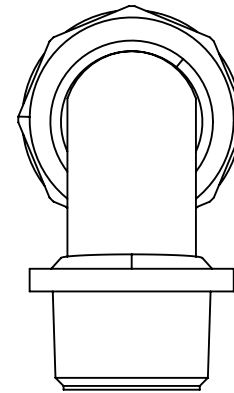
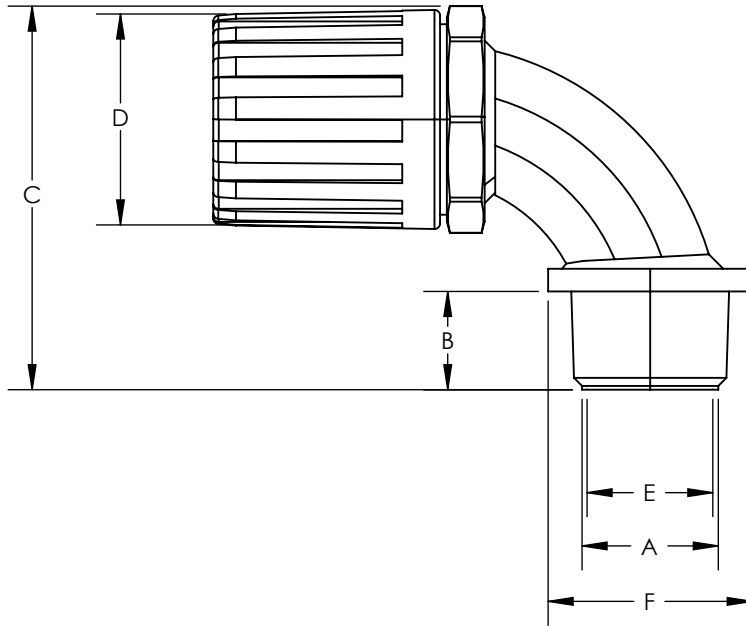


SW2014



Revision level			Revision Record	Changed	Date	Approved	Date
Drawing	State	Part					
00.0	Design Release		SEE ECN# 014957	CAS	2/12/2019	KAC	2/12/2019



Type Name	Manufacturer Reference Number	Global Part Description	Material	Color	GPN	Conduit Size		Thread	Dimensions									
						A	B		C	D	E	F (A/F)						
						in.	mm	NPT or M	in.	mm	in.	mm	in.	mm	in.	mm		
HGL038-90-M20	FPAX16-M20-90B	HGL038-90-M20-PA66-BK	PA66	Black (BK)	19-0290	3/8"	16.0	M20x1.5	0.51	13.0	1.50	38.0	1.14	29.0	0.55	14.0	1.06	27.0
HGL050-90-M20	FPAX21-M20-90B	HGL050-90-M20-PA66-BK	PA66	Black (BK)	19-0291	1/2"	21.0	M20x1.5	0.51	13.0	1.57	40.0	1.26	32.0	0.55	14.0	1.06	27.0
HGL075-90-M25	FPAX28-M25-90B	HGL075-90-M25-PA66-BK	PA66	Black (BK)	19-0292	3/4"	28.0	M25x1.5	0.59	15.0	2.01	51.0	1.73	44.0	0.75	19.0	1.26	32.0
HGL100-90-M32	FPAX34-M32-90B	HGL100-90-M32-PA66-BK	PA66	Black (BK)	19-0293	1"	34.0	M32x1.5	0.63	16.0	2.32	59.0	2.01	51.0	0.96	24.5	1.57	40.0

Material PA66	Units: inches	The copyright of this drawing is reserved by HellermannTyton. It is issued on condition that it is not reproduced, copied, or disclosed to a third party, either wholly or in part, without the consent of HellermannTyton.	Drawn	CAS	2/12/2019	Article/Type-No	HGL-90 SERIES		Scale	1:1
	Dimension without tolerances details to: .xxxx = ±.0005 .xxx = ±.005 .xx = ±.01 .x = ±.03 None = ±.06 ∠ = ±0.5° Dimension Formatted in/[mm]		Approved	KAC	2/12/2019	Title	HELAGUARD 90 DEGREE NYLON ELBOW FITTING, METRIC THREAD, IP68		Project Number	PRP 19-0290
	 North America Email: corp@htamericas.com Web: www.hellermann.tyton.com			Drawing-No	PRODUCTION : Phase		Format	AH		
				19-0290-001-CSU			Sheet	1/1		