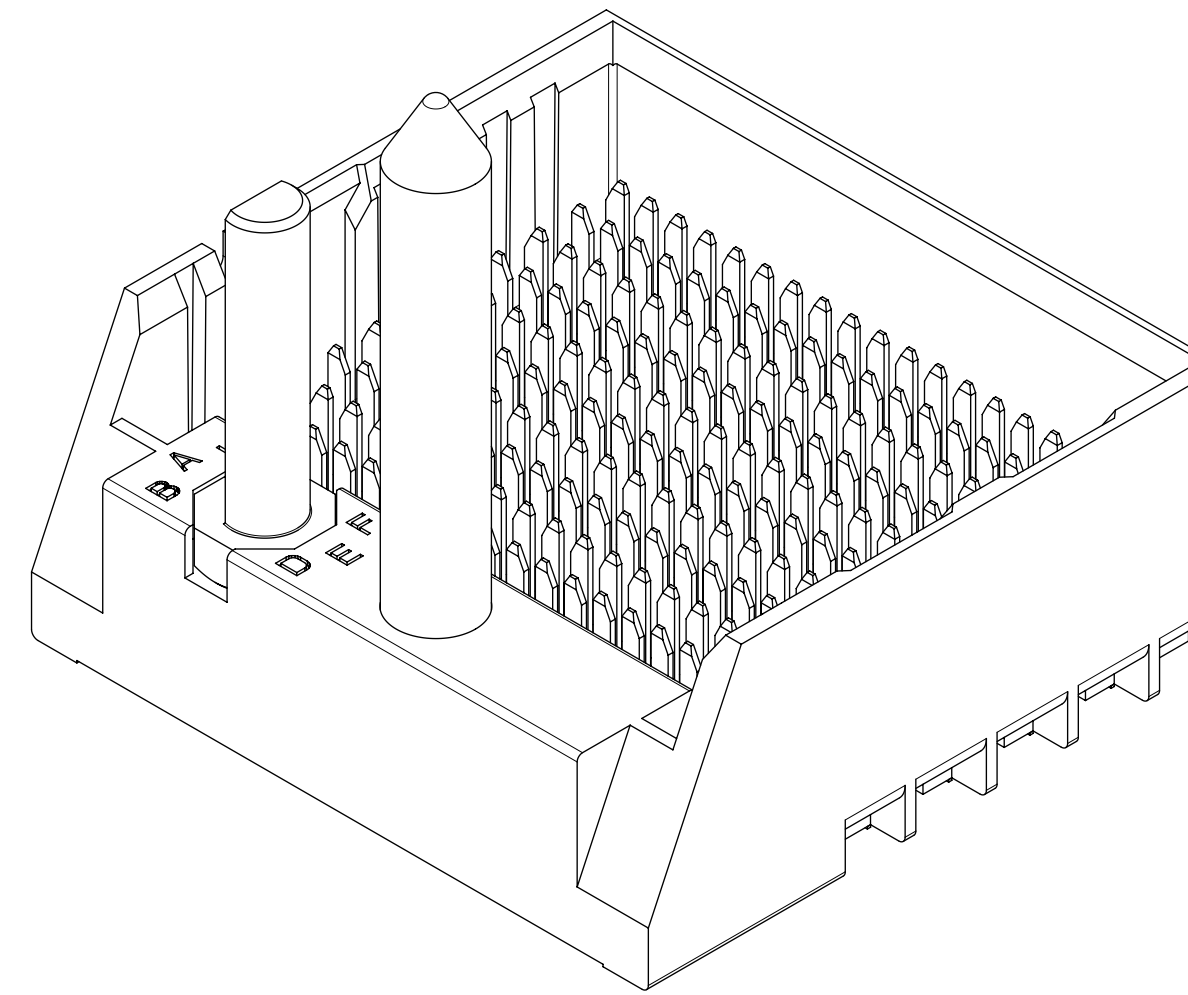


- NOTES:
1. MATERIALS: HOUSING - LIQUID CRYSTAL POLYMER (LCP)  
GLASS-FILLED, UL94V-0  
TERMINALS - HIGH PERFORMANCE COPPER ALLOY
  2. FINISH: 30µ IN MIN. GOLD IN CONTACT AREA, SELECTIVE MATTE TIN  
ON PCB TAILS, NICKEL OVERALL.
  3. REFER TO MOLEX PRODUCT SPECIFICATION PS-170540-999  
FOR PERFORMANCE SPECIFICATIONS AND ADDITIONAL PCB INFORMATION.
  4. THIS PART CONFORMS TO CLASS B REQUIREMENTS OF  
MOLEX COSMETIC SPEC PS-45499-002.
  5. PARTS PACKAGED PER PK-70873-760
  6. SEE SHEETS 2 & 3 FOR PART NUMBERS AND BOARD RELATIONSHIPS.
  7. FOR GROUNDED GUIDE PINS USE DIA. 3.56 ±0.08 (PTH), DIA. 3.66 (DRILL) AND DIA 6.5 (PAD).
  8. MINIMUM CIRCUIT BOARD THICKNESS: 1.0mm
  9. KEEP OUT ZONE FOR BP HOUSING LENGTH INCLUDES AN ADDITIONAL 1.0mm  
TO ACCOMMODATE FOR SPACE REQUIRED BY DC FRONT HOUSING.
  10. REFER TO MOLEX PCB ROUTING GUIDE AS-76060-990 FOR ANTIPAD AND ROUTING RECOMMENDATIONS.
  11. CONNECTORS SUPPLIED WITH A 2-56 UNC-2A SCREW.
  12. "THESE DIMENSIONS REPRESENT THE AREA NEEDED TO ACCOMMODATE CONNECTOR INSERTION AND  
REPAIR ON THE PC BOARD. THIS IS REFERRED TO AS THE "CONNECTOR KEEP OUT ZONE" AND  
DOES NOT REPRESENT THE ACTUAL PERIMETER OF THE CONNECTOR. WHEN LAYING OUT A PC BOARD  
FOR CONNECTORS STACKED TOGETHER. USE A 1.9mm PROGRESSION."

THIS DRAWING CONTAINS INFORMATION THAT IS PROPRIETARY TO MOLEX ELECTRONIC TECHNOLOGIES, LLC AND SHOULD NOT BE USED WITHOUT WRITTEN PERMISSION											
MIGRATED TO NX EC NO: 168852 DRWN: ABABU01 CHKD: CD REV APPR: GGA	2017/10/12	GENERAL TOLERANCES (UNLESS SPECIFIED)		DIMENSION UNITS	SCALE						
	2017/11/30	ANGULAR TOL ± 2.0 °		MM	5:1						
	2017/12/01	4 PLACES ±	DRWN BY	DATE	<b>IMPACT 6-PAIR 85-OHM LEFT GUIDED BACKPLANE SALES ASSEMBLY DRAWING</b>						
		3 PLACES ±	JBINGHAM	2010/09/24							
		2 PLACES ± 0.13	CHKD BY	DATE	<b>PRODUCT CUSTOMER DRAWING</b>						
		1 PLACE ± 0.25	JLAURX	2010/09/24							
	0 PLACES ±	APPR BY	DATE	SERIES	MATERIAL NUMBER	CUSTOMER					
	DRAFT WHERE APPLICABLE MUST REMAIN WITHIN DIMENSIONS	JLAURX	2013/02/07	170535	SEE CHART	GENERAL MARKET					
E1	DRAWING SIZE	THIRD ANGLE PROJECTION	D	DOCUMENT NUMBER	DOC TYPE	DOC PART	SHEET NUMBER				
				SD-170535-0002	PSD	001	1 OF 3				

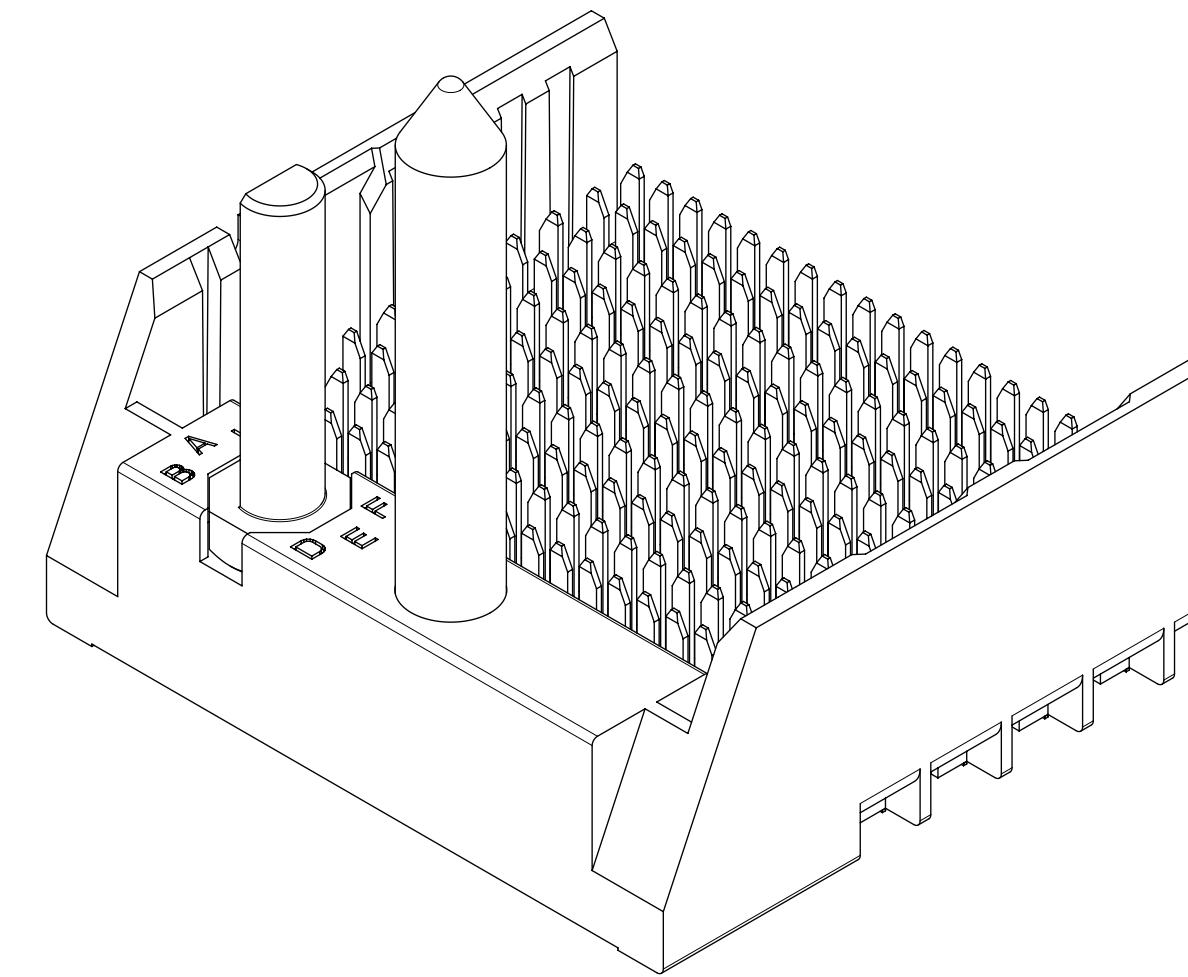
**PART NUMBER CHART**

MATERIAL NUMBER	# OF COLUMNS	# OF DIFF. PAIR	DIM. A	DIM. B	GUIDE LEFT END WALL OPTION
170535-78**	8	48	23.1	13.30	
170535-71**	10	60	26.9	17.10	
170535-74**	14	84	34.5	24.70	
170535-76**	16	96	38.3	28.50	



**GUIDE LEFT  
END WALL OPTION**

MATERIAL NUMBER	# OF COLUMNS	# OF DIFF. PAIR	DIM. A	DIM. B	GUIDE LEFT OPEN WALL OPTION
170535-38**	8	48	21.7	13.30	
170535-31**	10	60	25.5	17.10	
170535-34**	14	84	33.1	24.70	
170535-36**	16	96	36.9	28.50	



**GUIDE LEFT  
OPEN WALL OPTION**

**PART NUMBER LOGIC**

170535-\*\*\*\*

**MODULE TYPE**

- 3 = GUIDE LEFT, MATTE TIN
- 7 = GUIDE LEFT END WALL, MATTE TIN

**# OF COLUMNS**

- 8 = 8 COL.
- 1 = 10 COL.
- 4 = 14 COL.
- 6 = 16 COL.

**PIN LENGTH (P)**

- 3 = 4.50 (SHORT COMPLIANT, 0.46±0.05 PTH)
- 4 = 4.90 (SHORT COMPLIANT, 0.46±0.05 PTH)
- 5 = 5.50 (SHORT COMPLIANT, 0.46±0.05 PTH)
- 6 = 4.50 (MICRO COMPLIANT, 0.39±0.05 PTH)
- 7 = 4.90 (MICRO COMPLIANT, 0.39±0.05 PTH)
- 8 = 5.50 (MICRO COMPLIANT, 0.39±0.05 PTH)

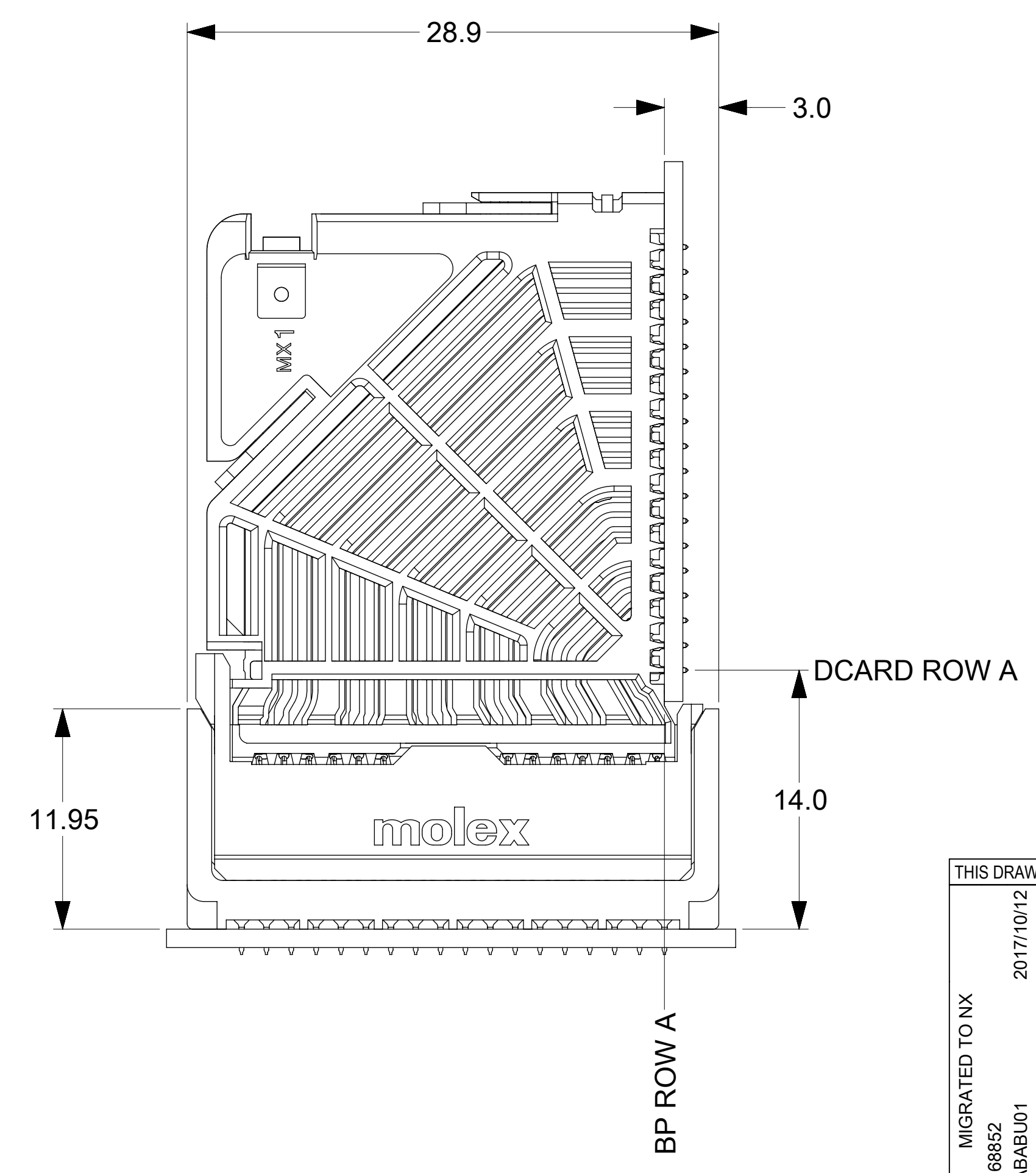
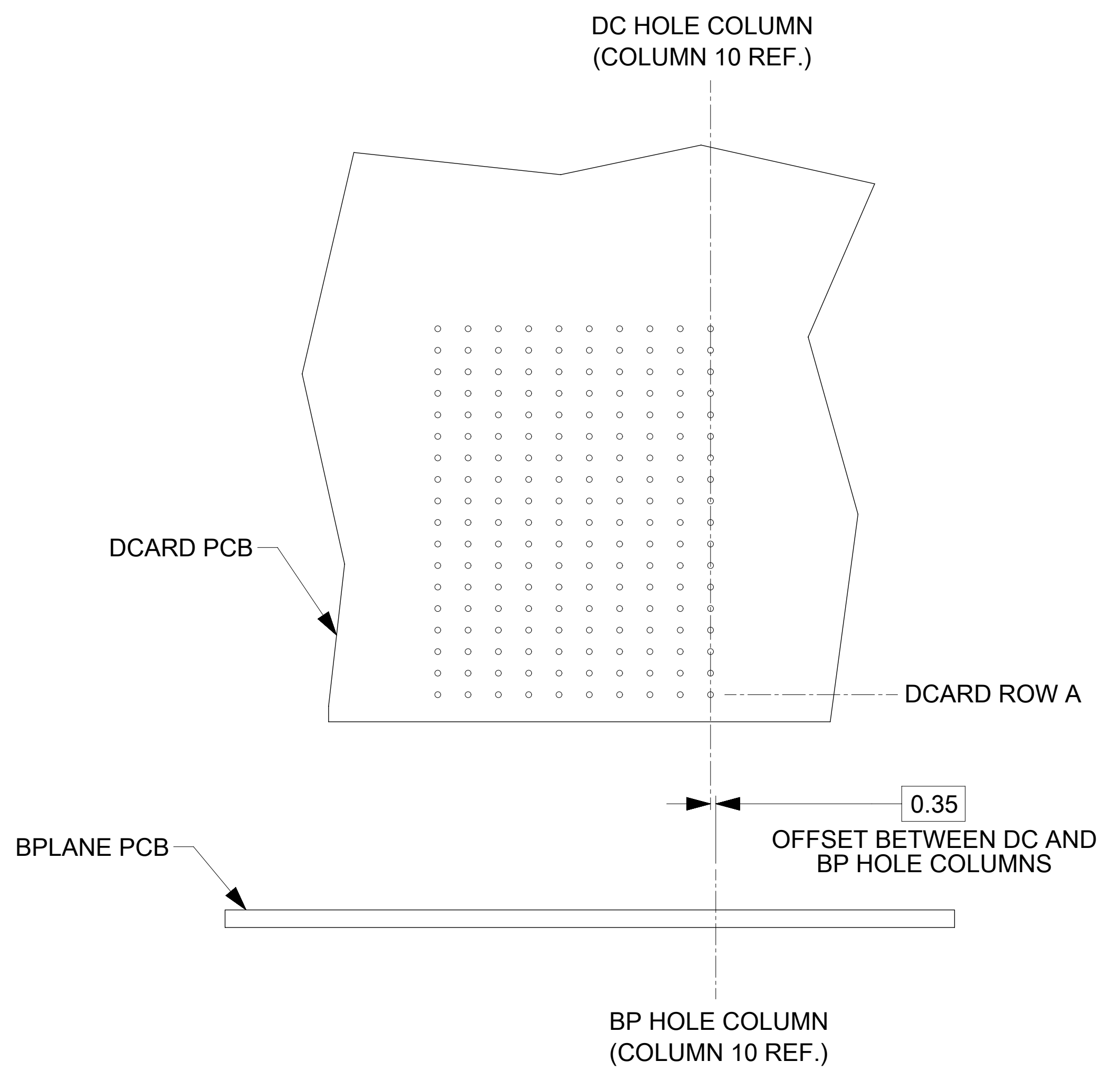
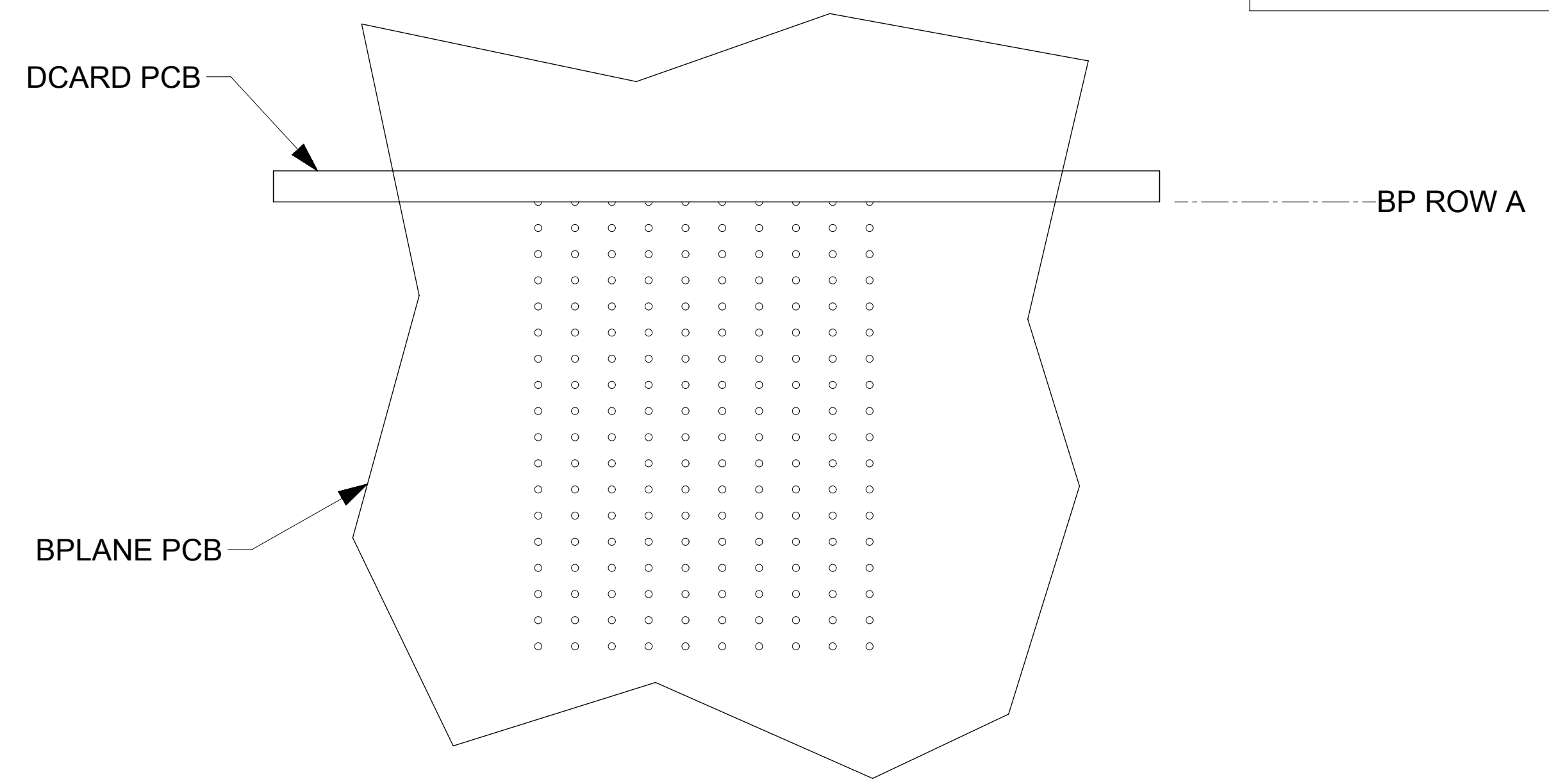
**KEY ORIENTATION**

- 0 = NO KEY
- 1 = A
- 2 = B
- 3 = C
- 4 = D
- 5 = E
- 6 = F
- 7 = G
- 8 = H

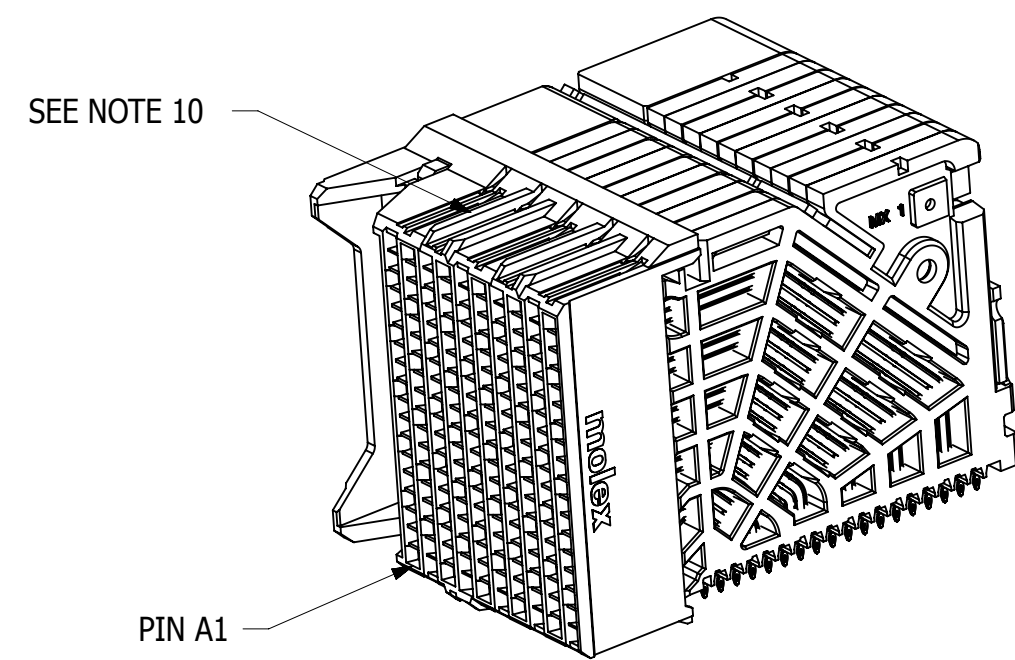
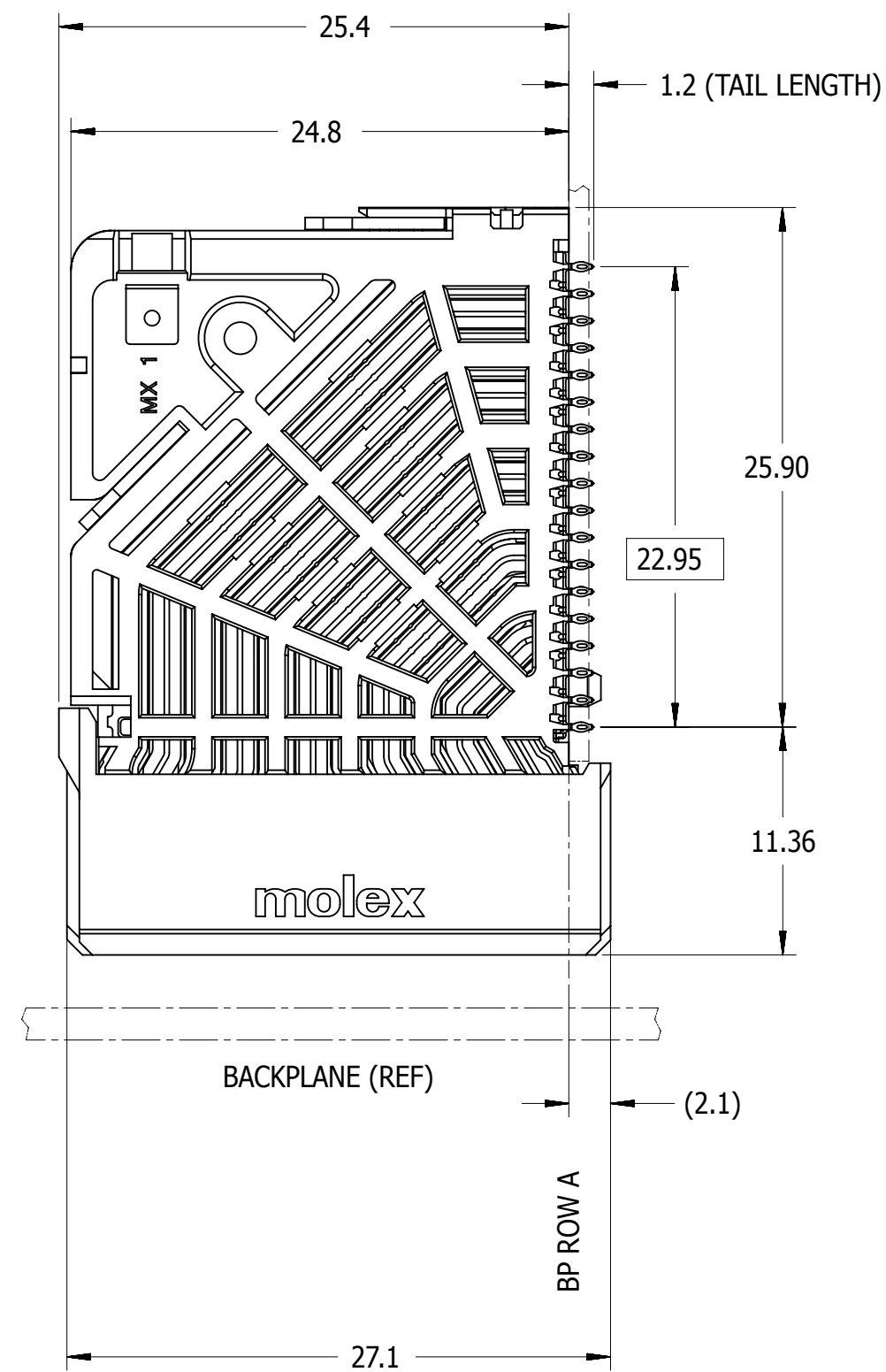
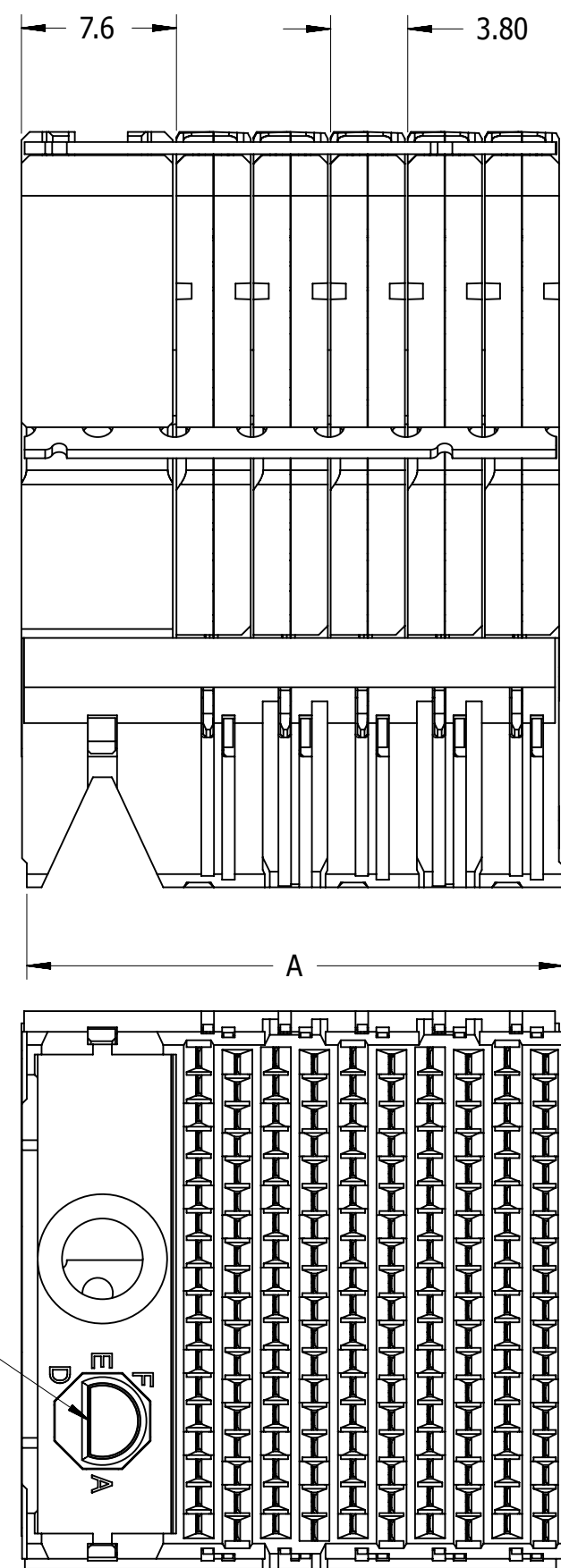
THIS DRAWING CONTAINS INFORMATION THAT IS PROPRIETARY TO MOLEX ELECTRONIC TECHNOLOGIES, LLC AND SHOULD NOT BE USED WITHOUT WRITTEN PERMISSION

MIGRATED TO NX	2017/10/12	GENERAL TOLERANCES (UNLESS SPECIFIED)	DIMENSION UNITS	SCALE	<b>molex</b>  IMPACT 6-PAIR 85-OHM LEFT GUIDED BACKPLANE SALES ASSEMBLY DRAWING	
	2017/11/30	ANGULAR TOL ± 2.0 °	MM	4:1		
	2017/12/01	4 PLACES ±	DRWN BY	DATE		
		3 PLACES ±	JBINGHAM	2010/09/24		
		2 PLACES ± 0.13	CHKD BY	DATE		
	1 PLACE ± 0.25	JLAURX	2010/09/24			
	0 PLACES ±	APPR BY	DATE			
	DRAFT WHERE APPLICABLE MUST REMAIN WITHIN DIMENSIONS	JLAURX	2013/02/07			
		DRAWING SIZE	THIRD ANGLE PROJECTION	SERIES	MATERIAL NUMBER	CUSTOMER
		D		170535	SEE CHART	GENERAL MARKET
				DOCUMENT NUMBER	DOC TYPE	DOC PART SHEET NUMBER
				SD-170535-0002	PSD	001 2 OF 3

IMPACT 6 PAIR  
BOARD RELATIONSHIPS

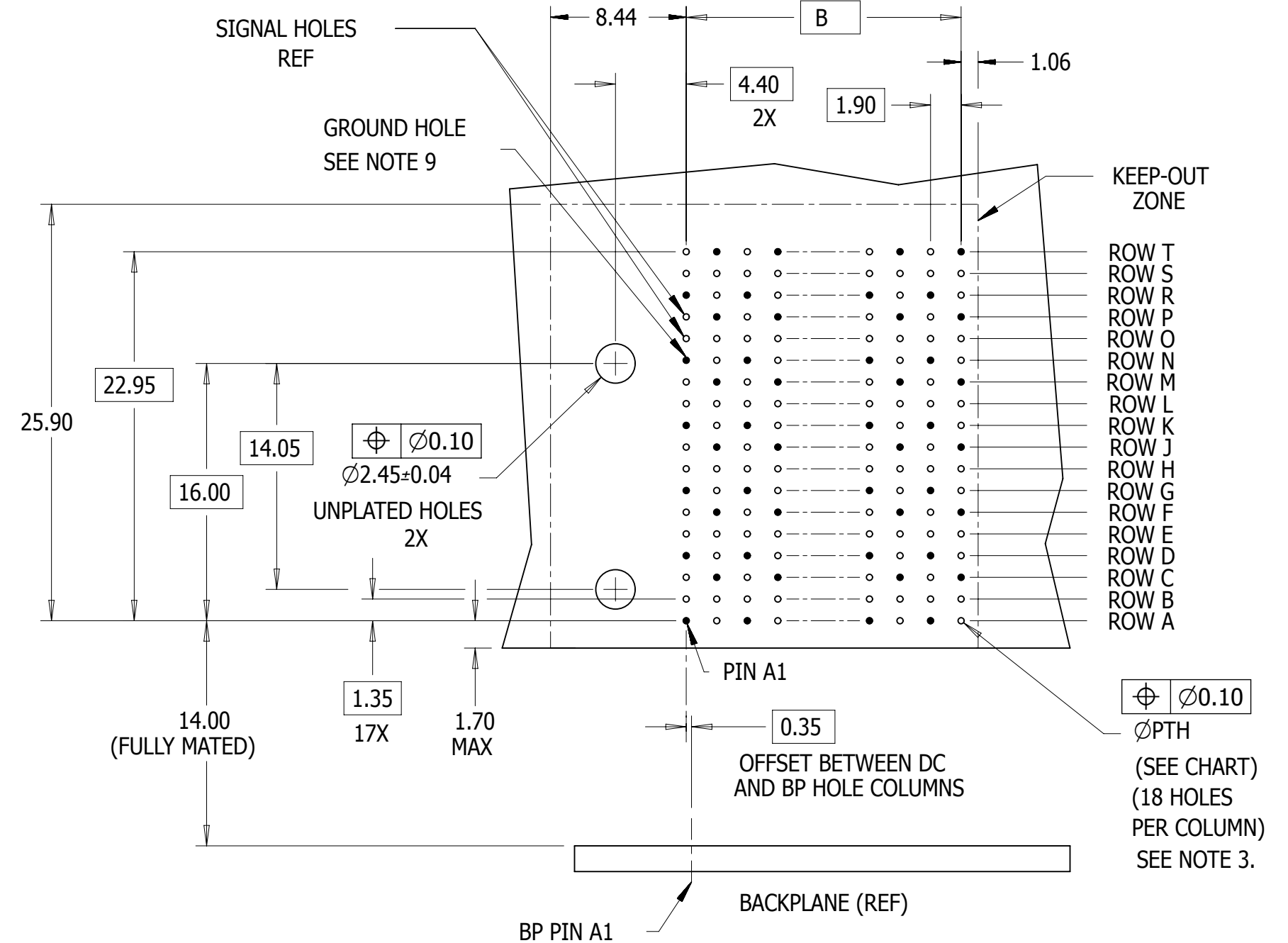


THIS DRAWING CONTAINS INFORMATION THAT IS PROPRIETARY TO MOLEX ELECTRONIC TECHNOLOGIES, LLC AND SHOULD NOT BE USED WITHOUT WRITTEN PERMISSION											
MIGRATED TO NX EC NO: 168852 DRWN: ABABU01 CHKD: CD REV APPR: GGA	2017/10/12	GENERAL TOLERANCES (UNLESS SPECIFIED)		DIMENSION UNITS	SCALE	<p>IMPACT 6-PAIR 85-OHM LEFT GUIDED BACKPLANE SALES ASSEMBLY DRAWING</p> <p>PRODUCT CUSTOMER DRAWING</p>					
	2017/11/30	ANGULAR TOL ± 2.0 °		MM	4:1						
	2017/12/01	4 PLACES ±	DRWN BY	DATE							
			3 PLACES ±	JBINGHAM	2010/09/24	<p>SERIES: 170535 MATERIAL NUMBER: SEE CHART CUSTOMER: GENERAL MARKET</p> <p>DOCUMENT NUMBER: SD-170535-0002 DOC TYPE: PSD DOC PART: 001 SHEET NUMBER: 3 OF 3</p>					
			2 PLACES ± 0.13	CHKD BY	DATE						
			1 PLACE ± 0.25	JLAURX	2010/09/24	<p>DRAWING SIZE: D THIRD ANGLE PROJECTION</p>					
		0 PLACES ±	APPR BY	DATE							
		DRAFT WHERE APPLICABLE MUST REMAIN WITHIN DIMENSIONS		JLAURX	2013/02/07						



KEY SHOWN IN POSITION 'G'

- NOTES:
1. MATERIALS: HOUSING - LIQUID CRYSTAL POLYMER (LCP), GLASS-FILLED, UL94V-0  
TERMINALS - HIGH PERFORMANCE COPPER ALLOY
  2. FINISH: 30μIN MIN GOLD IN CONTACT AREA, SELECTIVE TIN ON PCB TAILS, NICKEL OVERALL.
  3. REFER TO MOLEX PRODUCT SPEC PS-170540-999 FOR PERFORMANCE SPECIFICATIONS AND ADDITIONAL PCB INFORMATION.
  4. EACH SIGNAL WAFER CONTAINS 2 COLUMNS OF TERMINALS.
  5. PRODUCT IS PACKAGED PER PK-70873-589.
  6. THIS PART CONFORMS TO CLASS B REQUIREMENTS OF COSMETIC SPEC PS-45499-002.
  7. REFER TO MOLEX SALES DRAWING SD-170535-0002 AND RSD-170532-XXXX FOR THE MATING HEADERS.
  8. REFER TO MOLEX ROUTING GUIDE AS-76060-990 FOR ANTIPAD AND ROUTING RECOMMENDATIONS.
  9. GROUND PATHS ARE NOT DISCRETE CIRCUITS WITHIN CONNECTOR DUE TO PRESENCE OF PLUS CLIP.
  10. PART NUMBER 170540-3720 SHOWN ON DRAWING. KEYING FEATURES WILL CHANGE WITH COLUMN SIZE.
  11. MINIMUM BOARD THICKNESS IS 1.0 mm FOR COMPLIANT PIN FUNCTIONALITY.
  12. WHEN USING MOLEX SUPPLIED #2-32 SCREW 73726-0000 (9.50 NOMINAL THREADABLE SCREW LENGTH), THE MAXIMUM BOARD THICKNESS IS 4.4 mm.
  13. MARKING: LOCATED APPROXIMATELY AS SHOWN, PART NUMBER, DATE CODE, AND SERIAL NUMBER.



DAUGHTERCARD HOLE PATTERN (CONNECTOR SIDE)

SYMBOLS				THIS DRAWING CONTAINS INFORMATION THAT IS PROPRIETARY TO MOLEX ELECTRONIC TECHNOLOGIES, LLC AND SHOULD NOT BE USED WITHOUT WRITTEN PERMISSION			
▽ = 0	mm	SCALE	4:1	CURRENT REV DESC:			
▽ = 0	GENERAL TOLERANCES (UNLESS SPECIFIED)			EC NO:	611164		
▽ = 0	ANGULAR TOL ± 0.5°			DRWN:	DMORGAN	2019/01/28	
▽ = 0	4 PLACES ±			CHK'D:	TELO	2019/01/29	
▽ = 0	3 PLACES ±			APPR:	TELO	2019/01/29	
▽ = 0	2 PLACES ± 0.13			INITIAL REVISION:			
▽ = 0	1 PLACE ± 0.25			DRWN:	JLAURX	2010/09/29	
▽ = 0	0 PLACES ±			APPR:	JLAURX	2010/10/19	
▽ = 0	DRAFT WHERE APPLICABLE MUST REMAIN WITHIN DIMENSIONS			THIRD ANGLE PROJECTION	DRAWING	SERIES	
▽ = 0				⊕	C-SIZE	170540	
DOCUMENT STATUS				THIS DRAWING CONTAINS INFORMATION THAT IS PROPRIETARY TO MOLEX ELECTRONIC TECHNOLOGIES, LLC AND SHOULD NOT BE USED WITHOUT WRITTEN PERMISSION			
P1	RELEASE DATE	2019/01/29	02:36:16	CURRENT REV DESC:			
				EC NO:	611164		
				DRWN:	DMORGAN	2019/01/28	
				CHK'D:	TELO	2019/01/29	
				APPR:	TELO	2019/01/29	
				INITIAL REVISION:			
				DRWN:	JLAURX	2010/09/29	
				APPR:	JLAURX	2010/10/19	
				THIRD ANGLE PROJECTION	DRAWING	SERIES	
				⊕	C-SIZE	170540	
				PRODUCT CUSTOMER DRAWING			
				DOCUMENT NUMBER		DOC TYPE	DOC PART
				SD-170540-0002		PSD	001
				MATERIAL NUMBER		CUSTOMER	SHEET NUMBER
				GENERAL MARKET		1 OF 2	

MATERIAL NUMBER	# OF COLUMNS	# OF DIFF PAIR	DIM "A" MAX	DIM "B"	PTH $\phi$
170540-3*08	8	48	22.80	13.30	0.46 ±0.05
170540-3*10	10	60	26.60	17.10	
170540-3*16	16	96	38.00	28.50	
170540-3*38	8	48	22.80	13.30	0.39 ±0.05
170540-3*20	10	60	26.60	17.10	
170540-3*24	14	84	34.20	24.70	
170540-3*26	16	96	38.00	28.50	


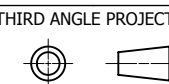
170540-3\*\*\*

MODULE & TAIL PLATING TYPE  
3 = LEFT GUIDED, LEAD-FREE

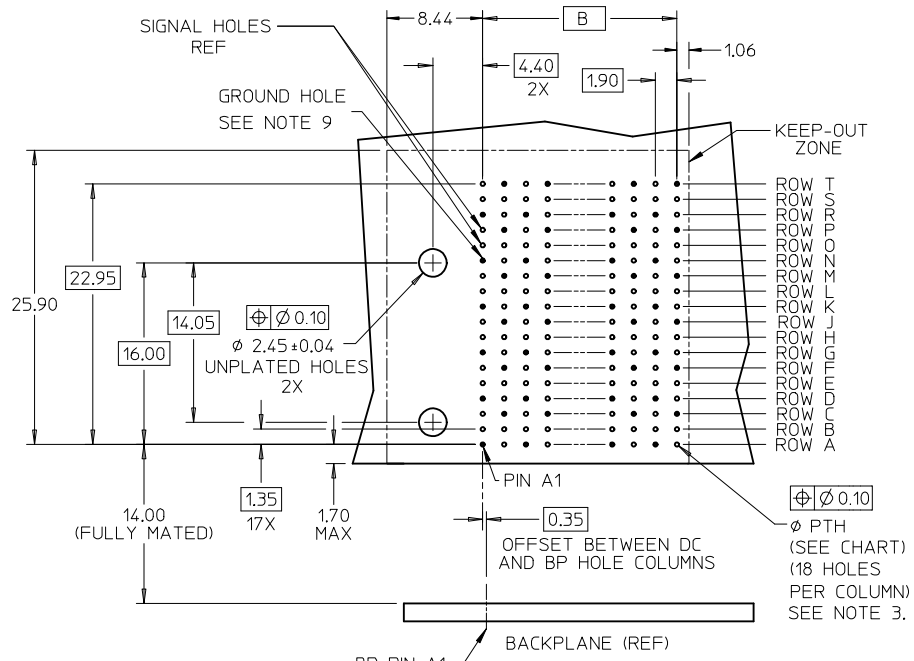
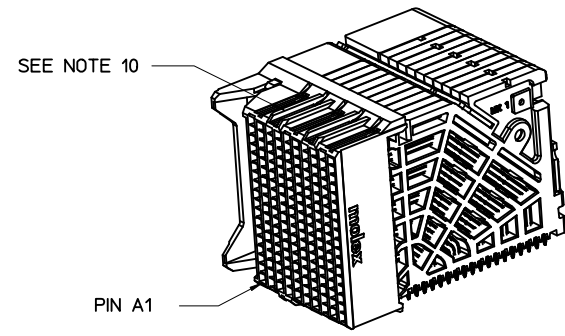
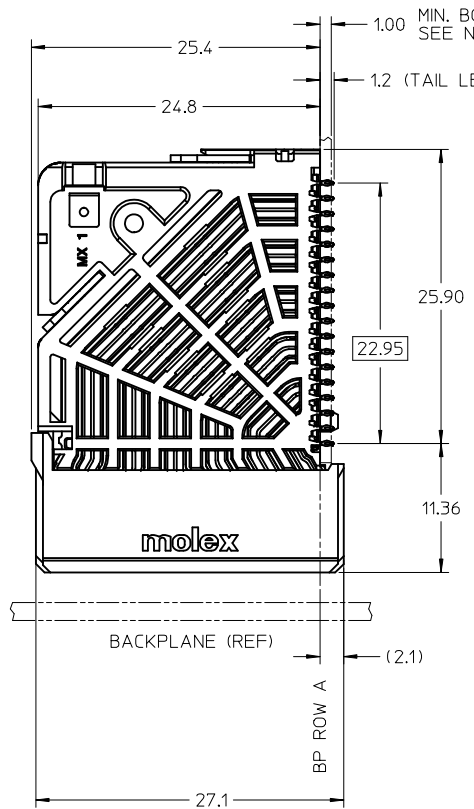
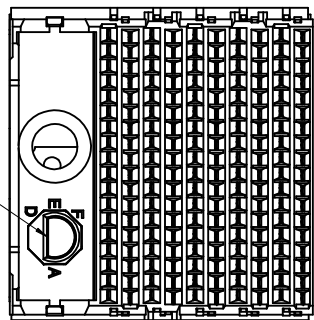
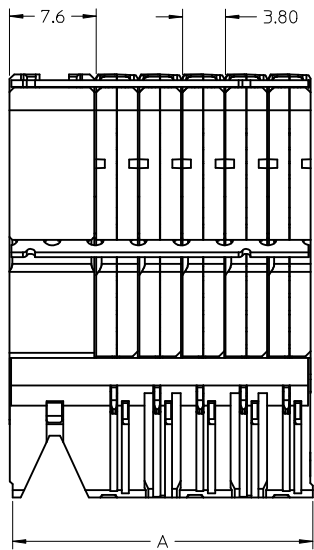
POLARIZATION KEY ORIENTATION

- 0 = NO KEY
- 1 = A      5 = E
- 2 = B      6 = F
- 3 = C      7 = G
- 4 = D      8 = H

- # OF COLUMNS
- 08 = 8 COL 0.46 PTH
  - 10 = 10 COL 0.46 PTH
  - 16 = 16 COL 0.46 PTH
  - 20 = 10 COL 0.39 PTH
  - 24 = 14 COL 0.39 PTH
  - 26 = 16 COL 0.39 PTH
  - 38 = 08 COL 0.39 PTH

SYMBOLS										THIS DRAWING CONTAINS INFORMATION THAT IS PROPRIETARY TO MOLEX ELECTRONIC TECHNOLOGIES, LLC AND SHOULD NOT BE USED WITHOUT WRITTEN PERMISSION									
DIMENSION UNITS					SCALE					CURRENT REV DESC:					 <p>IMPACT 6 PAIR PLUS 85OHM DAUGHTERCARD SIGNAL GUIDE LEFT SALES DWG</p> <p>PRODUCT CUSTOMER DRAWING</p>				
mm					1:1					EC NO: 611164									
GENERAL TOLERANCES (UNLESS SPECIFIED)					ANGULAR TOL ± 0.5°					DRWN: DMORGAN 2019/01/28					<p>DOCUMENT NUMBER</p> <p><b>SD-170540-0002</b></p> <p>MATERIAL NUMBER</p> <p>GENERAL MARKET</p>				
4 PLACES ±					3 PLACES ±					CHK'D: TELO 2019/01/29									
2 PLACES ± 0.13					INITIAL REVISION:					APPR: TELO 2019/01/29					DOC TYPE				
1 PLACE ± 0.25					DRWN: JLAURX 2010/09/29					SERIES					DOC PART				
0 PLACES ±					APPR: JLAURX 2010/10/19					C-SIZE					REVISION				
DRAFT WHERE APPLICABLE MUST REMAIN WITHIN DIMENSIONS					THIRD ANGLE PROJECTION					SERIES					SHEET NUMBER				
										170540					2 OF 2				

DOCUMENT STATUS	P1	RELEASE DATE	2019/01/29	02:36:16
-----------------	----	--------------	------------	----------



- NOTES:
1. MATERIALS: HOUSING - LIQUID CRYSTAL POLYMER (LCP), GLASS-FILLED, UL94V-0 TERMINALS - HIGH PERFORMANCE COPPER ALLOY ON PCB TAILS, NICKEL OVERALL.
  2. FINISH: 10μN MIN GOLD IN CONTACT AREA, SELECTIVE TIN
  3. REFER TO MOLEX PRODUCT SPEC PS-170540-999 FOR PERFORMANCE SPECIFICATIONS AND ADDITIONAL PCB INFORMATION.
  4. EACH SIGNAL WAFER CONTAINS 2 COLUMNS OF TERMINALS.
  5. PRODUCT IS PACKAGED PER PK-70873-589.
  6. THIS PART CONFORMS TO CLASS B REQUIREMENTS OF COSMETIC SPEC PS-45499-002.
  7. REFER TO MOLEX SALES DRAWING SD-170535-0002 AND RSD-170532-XXXX FOR THE MATING HEADERS.
  8. REFER TO MOLEX ROUTING GUIDE AS-76060-990 FOR ANTIPAD AND ROUTING RECOMMENDATIONS.
  9. GROUND PATHS ARE NOT DISCRETE CIRCUITS WITHIN CONNECTOR DUE TO PRESENCE OF PLUS CLIP.
  10. PART NUMBER 170540-3720 SHOWN ON DRAWING. KEYING FEATURES WILL CHANGE WITH COLUMN SIZE.
  11. MINIMUM BOARD THICKNESS IS 1.0 mm FOR COMPLIANT PIN FUNCTIONALITY.
  12. WHEN USING MOLEX SUPPLIED #2-32 SCREW 73726-0000 (9.50 NOMINAL THREADABLE SCREW LENGTH), THE MAXIMUM BOARD THICKNESS IS 4.4 mm.

DAUGHTERCARD HOLE PATTERN (CONNECTOR SIDE)

INITIAL CREATION MAPS PLATING EC NO: UCP2015-3240 DRW:MKRAUSE 2015/02/09 CHKD: TELO APPR:TELO 2015/03/02	QUALITY SYMBOLS	GENERAL TOLERANCES (UNLESS SPECIFIED)	DIMENSION STYLE	SCALE	DESIGN UNITS	THIRD ANGLE PROJECTION
	▽=0	mm INCH	MM ONLY	3:1	METRIC	
	▽=0	4 PLACES ± --- ± ---	DRAWN BY DATE	TITLE		
	▽=0	3 PLACES ± --- ± ---	MKRAUSE 2015/02/09	IMPACT 6 PAIR PLUS 850HM DC SIGNAL MAPS		
▽=0	2 PLACES ± 0.13 ± ---	CHECKED BY DATE	GUIDE LEFT SALES DWG			
	1 PLACE ± 0.25 ± ---	APPROVED BY DATE	molex			
	0 PLACE ± ±	TELO 2015/03/02	SD-173120-0002			
	ANGULAR ±1/2°	MATERIAL NO.	DOCUMENT NO.			
	DRAFT WHERE APPLICABLE MUST REMAIN WITHIN DIMENSIONS	SEE CHART	1 OF 2			
		SIZE C	THIS DRAWING CONTAINS INFORMATION THAT IS PROPRIETARY TO MOLEX INCORPORATED AND SHOULD NOT BE USED WITHOUT WRITTEN PERMISSION			

MATERIAL NUMBER	# OF COLUMNS	# OF DIFF PAIR	DIM "A" MAX	DIM "B"	PTH $\phi$
173120-3*08	8	48	22.80	13.30	0.46 $\pm 0.05$
173120-3*10	10	60	26.60	17.10	
173120-3*16	16	96	38.00	28.50	
173120-3*38	8	48	22.80	13.30	0.39 $\pm 0.05$
173120-3*20	10	60	26.60	17.10	
173120-3*26	16	96	38.00	28.50	


173120-3\*\*\*

MODULE & TAIL PLATING TYPE  
3 = LEFT GUIDED, LEAD-FREE

POLARIZATION KEY ORIENTATION

- 0 = NO KEY
- 1 = A
- 2 = B
- 3 = C
- 4 = D
- 5 = E
- 6 = F
- 7 = G
- 8 = H

- # OF COLUMNS
- 08 = 8 COL 0.46 PTH
  - 10 = 10 COL 0.46 PTH
  - 16 = 16 COL 0.46 PTH
  - 20 = 10 COL 0.39 PTH
  - 26 = 16 COL 0.39 PTH
  - 38 = 08 COL 0.39 PTH

SEE SHEET 1 EC NO: UCP2015-3240 DRAWN: MKRAUSE 2015/02/09 CHKD: APPR: TELO 2015/03/02	QUALITY SYMBOLS	GENERAL TOLERANCES (UNLESS SPECIFIED)	DIMENSION STYLE <b>MM ONLY</b>	SCALE <b>3:1</b>	DESIGN UNITS <b>METRIC</b>	THIRD ANGLE PROJECTION
	$\nabla = 0$	mm INCH	DRAWN BY DATE MKRAUSE 2015/02/09	TITLE <b>IMPACT 6 PAIR PLUS 850HM DC SIGNAL MAPS GUIDE LEFT SALES DWG</b>		
	$\nabla = 0$	4 PLACES $\pm$ --- $\pm$ ---	CHECKED BY DATE	 MATERIAL NO. SD-173120-0002 SHEET NO. 2 OF 2		
	$\nabla = 0$	3 PLACES $\pm$ --- $\pm$ ---	APPROVED BY DATE TELO 2015/03/02			
	2 PLACES $\pm 0.13$ $\pm$ ---	DRAFT WHERE APPLICABLE MUST REMAIN WITHIN DIMENSIONS				
	1 PLACE $\pm 0.25$ $\pm$ ---	SIZE C THIS DRAWING CONTAINS INFORMATION THAT IS PROPRIETARY TO MOLEX INCORPORATED AND SHOULD NOT BE USED WITHOUT WRITTEN PERMISSION				
	0 PLACE $\pm$ $\pm$ ---					