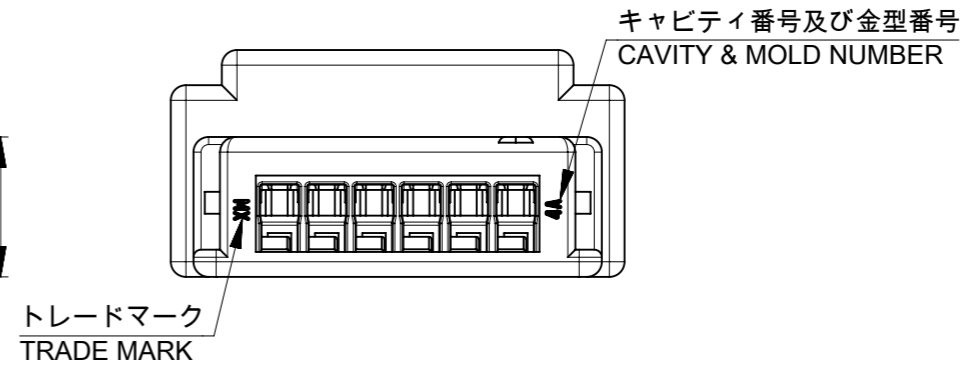
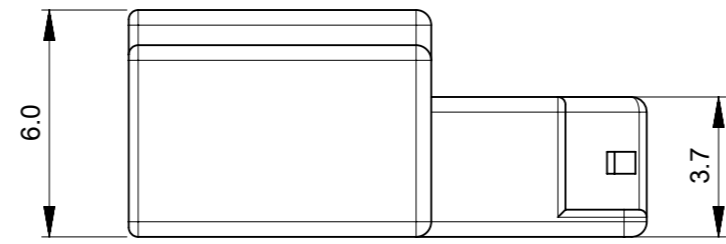
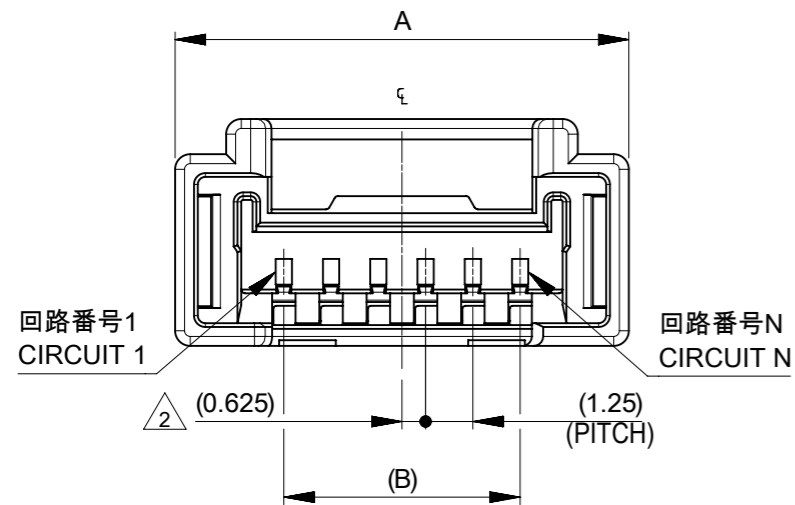
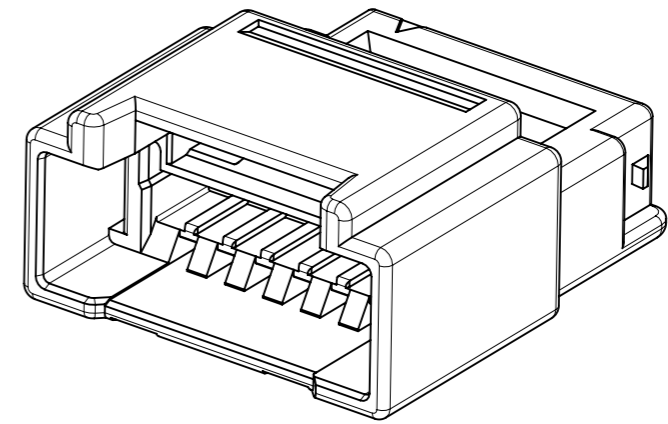
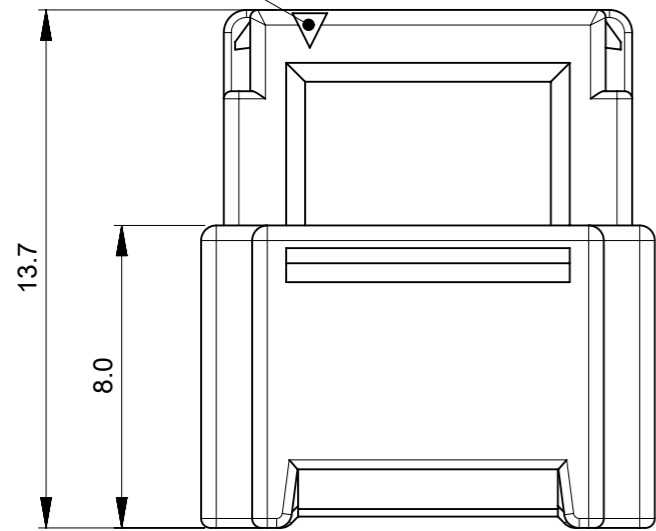


回路番号1マーク
CIRCUIT 1 MARK



注記 NOTE

- ① 材料：TABLE 1参照
MATERIAL：SEE TABLE 1.
- ② 偶数極に適用。
APPLY TO EVEN CIRCUIT.
- ③ 製品仕様書、コネクタ取扱説明書、適合嵌合相手、適合端子、
適合リテーナーはSHEET 3をご参照ください。
PLEASE REFER TO SHEET 3 FOR PRODUCT SPECIFICATION,
APPLICATION SPECIFICATION, MATE WITH,
APPLICABLE CRIMP TERMINAL, APPLICABLE RETAINER.
- ④ 発注番号：SHEET 3 参照
ORDER NUMBER：PLEASE REFER TO SHEET 3

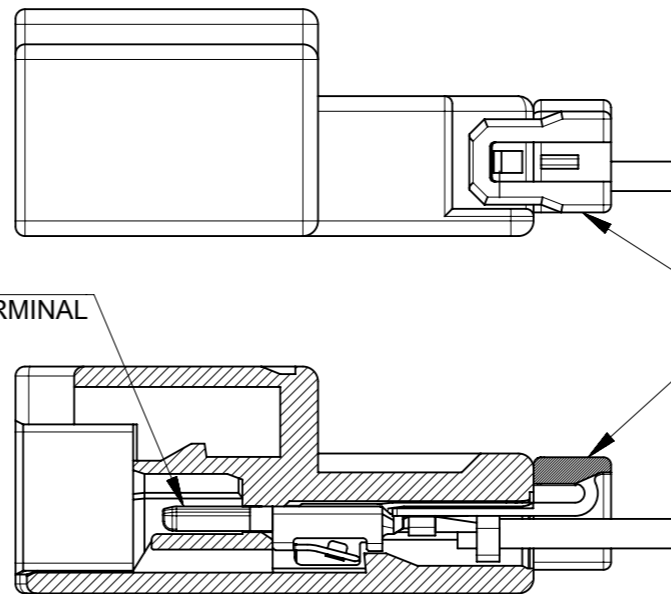
2145252***

極数
CIRCUIT SIZE

番号 NO.	ハウジングカラー HOUSING COLOR
0	ナチュラル(白) NATURAL(WHITE)
1	黒 BLACK
2	赤 RED
3	黄 YELLOW
4	青 BLUE

圧着端子
CRIMP TERMINAL

リテーナー
RETAINER



圧着端子 & リテーナー 装着図
CRIMP TERMINAL & RETAINER
ASSEMBLY DRAWING

10	15.75	9
8.75	14.5	8
7.5	13.25	7
6.25	12	6
5	10.75	5
3.75	9.5	4
2.5	8.25	3
1.25	7	2
B	A	極数 CIRCUIT SIZE

① TABLE 1

部品 PART	材質 MATERIAL
ハウジング HOUSING	ポリアミド(PA), UL94 V-0, 色：SHEET3参照 POLYAMIDE(PA), UL94 V-0, COLOR：SEE SHEET 3.
DOCUMENT STATUS	P1 RELEASE DATE 2023/02/16 15:22:36

THIS DRAWING CONTAINS INFORMATION THAT IS PROPRIETARY TO MOLEX ELECTRONIC TECHNOLOGIES, LLC AND SHOULD NOT BE USED WITHOUT WRITTEN PERMISSION

DIMENSION UNITS	SCALE	CURRENT REV DESC.
mm	NTS	
GENERAL TOLERANCES (UNLESS SPECIFIED)		
ANGULAR TOL	± 3.0°	
4 PLACES	± 0.2	EC NO: 736271
3 PLACES	± 0.2	DRWN: SOKUMURA01 2022/12/27
2 PLACES	± 0.2	CHK'D: SAKIYAMA 2023/02/16
1 PLACE	± 0.2	APPR: AIDA 2023/02/16
0 PLACES	± 0.2	INITIAL REVISION:
		DRWN: TENAGASE 2020/08/17
		APPR: AIDA 2022/07/04
DRAFT WHERE APPLICABLE MUST REMAIN WITHIN DIMENSIONS	THIRD ANGLE PROJECTION	DRAWING SERIES MATERIAL NUMBER CUSTOMER SHEET NUMBER
		A3-SIZE 214525 SEE SHEET 3 GENERAL 1 OF 3

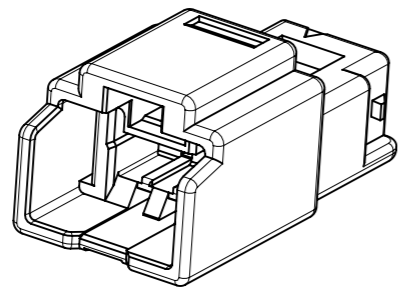
molex

MICRO-LOCK PLUS 1.25 W/W
SINGLE ROW PLUG HOUSING

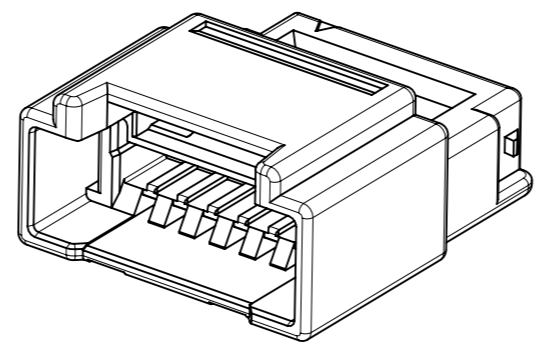
PRODUCT CUSTOMER DRAWING

DOCUMENT NUMBER: 2145250000-SD
DOC TYPE: PSD
DOC PART: 000
REVISION: C

製品形状
PRODUCT SHAPE

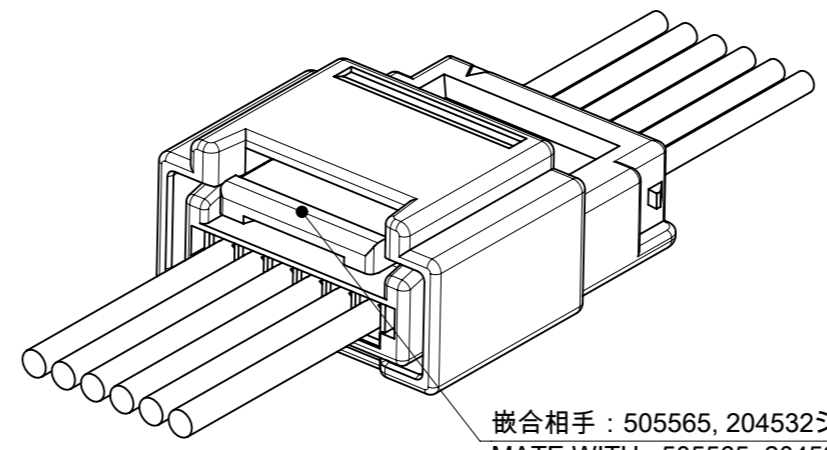
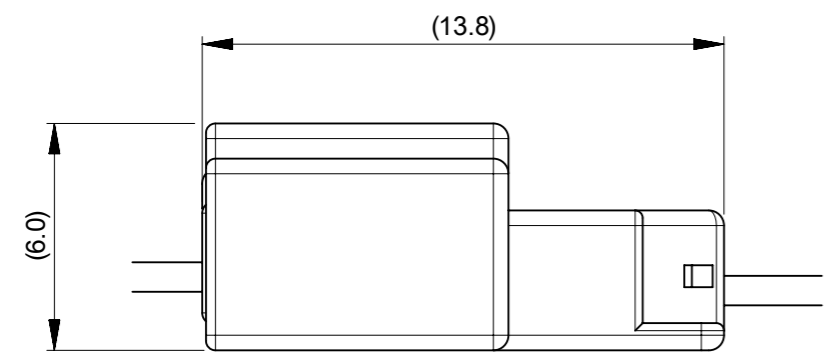


2-4極
2-4 CIRCUIT

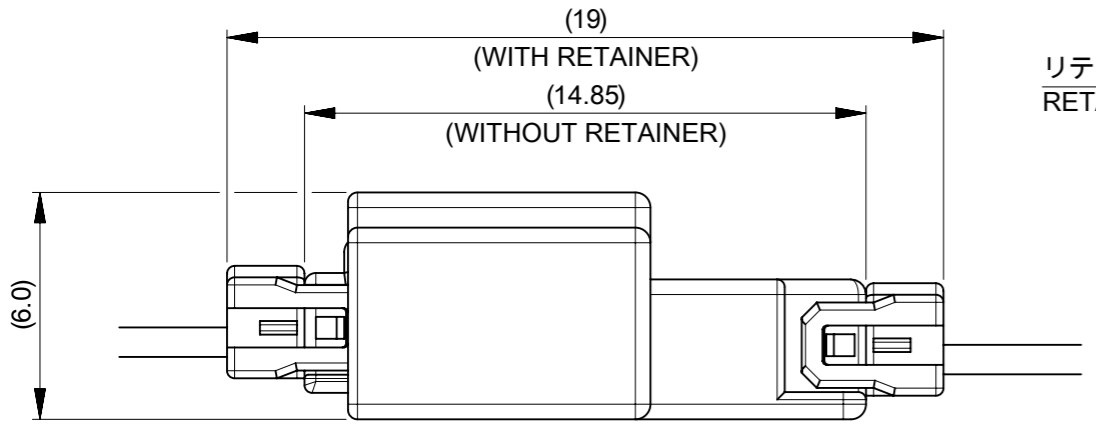


5-9極
5-9 CIRCUIT

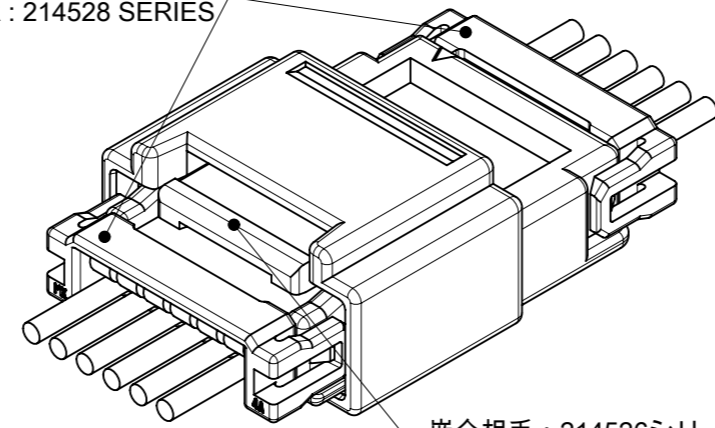
嵌合図
MATED CONNECTORS



嵌合相手 : 505565, 204532シリーズ
MATE WITH : 505565, 204532 SERIES



リテーナー : 214528シリーズ
RETAINER : 214528 SERIES



嵌合相手 : 214526シリーズ
MATE WITH : 214526 SERIES

THIS DRAWING CONTAINS INFORMATION THAT IS PROPRIETARY TO MOLEX ELECTRONIC TECHNOLOGIES, LLC AND SHOULD NOT BE USED WITHOUT WRITTEN PERMISSION									
DIMENSION UNITS		SCALE		CURRENT REV DESC:					
mm		NTS		<p style="text-align: center;">molex</p> <p style="text-align: center;">MICRO-LOCK PLUS 1.25 W/W SINGLE ROW PLUG HOUSING</p> <p style="text-align: center;">PRODUCT CUSTOMER DRAWING</p>					
GENERAL TOLERANCES (UNLESS SPECIFIED)									
ANGULAR TOL		± 3.0 °							
4 PLACES		± 0.2							
3 PLACES		± 0.2							
2 PLACES		± 0.2		EC NO: 736271		2022/12/27		DOCUMENT NUMBER	
1 PLACE		± 0.2		DRWN: SOKUMURA01		2023/02/16		2145250000-SD	
0 PLACES		± 0.2		CHK'D: SAKIYAMA		2023/02/16		PSD 000 C	
DRAFT WHERE APPLICABLE MUST REMAIN WITHIN DIMENSIONS				THIRD ANGLE PROJECTION		DRAWING		SERIES	
						A3-SIZE		214525	
				MATERIAL NUMBER		CUSTOMER		SHEET NUMBER	
				SEE SHEET 3		GENERAL		2 OF 3	

△ 3 適合製品及び各種仕様書 APPLICABLE PRODUCTS AND VARIOUS SPECIFICATIONS

梱包仕様書 PACKAGING SPECIFICATION	2145259200-SPK PS 200
----------------------------------	-----------------------

適合プラグ端子 APPLICABLE PLUG TERMINAL	PART NUMBER	PLATING TYPE	WIRE SIZE(AWG)
	2145241000	TIN	#26-30

適合リテーナー APPLICABLE RETAINER	SERIES NUMBER
	214528

適合嵌合相手 MATE WITH	タイプ TYPE	NORMAL	LOW HALOGEN	TPA (RETAINER)	
	シリーズ番号 SERIES NUMBER	505565	204532	214526	
ローハロゲン対応 LOW HALOGEN COMPLIANT		NOT COMPLIANT	COMPLIANT	COMPLIANT (NATURAL, BLACK)	NOT COMPLIANT (RED, YELLOW, BLUE)
製品仕様書 PRODUCT SPECIFICATION		5055650003-PS PS 000		2145260002-PS PS 000	
コネクタ取扱説明書 APPLICATION SPECIFICATION		5055650000-AS PS 000			

△ 4 2145252*** 発注番号一覧 ORDER NUMBER LIST

BLUE	YELLOW	RED	BLACK	NATURAL (WHITE)	HOUSING COLOR
NOT COMPLIANT	NOT COMPLIANT	NOT COMPLIANT	COMPLIANT	COMPLIANT	LOW HALOGEN COMPLIANT
2145252094	2145252093	2145252092	2145252091	2145252090	9
2145252084	2145252083	2145252082	2145252081	2145252080	8
2145252074	2145252073	2145252072	2145252071	2145252070	7
2145252064	2145252063	2145252062	2145252061	2145252060	6
2145252054	2145252053	2145252052	2145252051	2145252050	5
2145252044	2145252043	2145252042	2145252041	2145252040	4
2145252034	2145252033	2145252032	2145252031	2145252030	3
2145252024	2145252023	2145252022	2145252021	2145252020	2
発注番号 ORDER NUMBER					極数 CIRCUIT SIZE
梱包形態：ポリ袋 PACKAGING：POLYBAG PACKAGE					

THIS DRAWING CONTAINS INFORMATION THAT IS PROPRIETARY TO MOLEX ELECTRONIC TECHNOLOGIES, LLC AND SHOULD NOT BE USED WITHOUT WRITTEN PERMISSION										
DIMENSION UNITS	SCALE	CURRENT REV DESC:					molex			
mm	NTS									
GENERAL TOLERANCES (UNLESS SPECIFIED)							MICRO-LOCK PLUS 1.25 W/W SINGLE ROW PLUG HOUSING			
ANGULAR TOL	± 3.0 °						PRODUCT CUSTOMER DRAWING			
4 PLACES	± 0.2	EC NO: 736271								
3 PLACES	± 0.2	DRWN: SOKUMURA01			2022/12/27					
2 PLACES	± 0.2	CHK'D: SAKIYAMA			2023/02/16					
1 PLACE	± 0.2	APPR: AIDA			2023/02/16					
0 PLACES	± 0.2	INITIAL REVISION:								
DRAFT WHERE APPLICABLE MUST REMAIN WITHIN DIMENSIONS		THIRD ANGLE PROJECTION	DRAWING	SERIES	MATERIAL NUMBER	CUSTOMER	DOCUMENT NUMBER	DOC TYPE	DOC PART	REVISION
			A3-SIZE	214525	SEE CHART	GENERAL	2145250000-SD	PSD	000	C
										SHEET NUMBER 3 OF 3