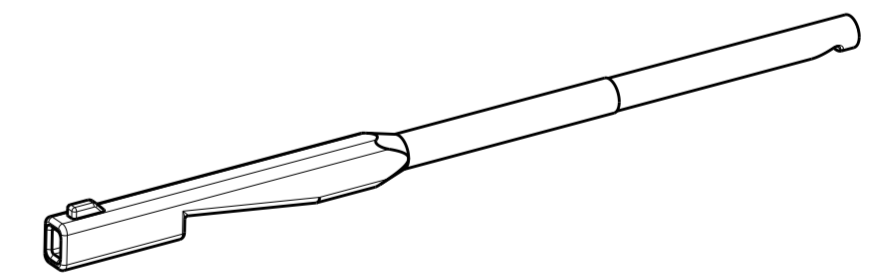
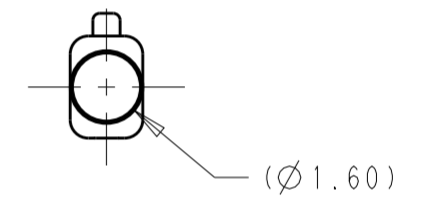
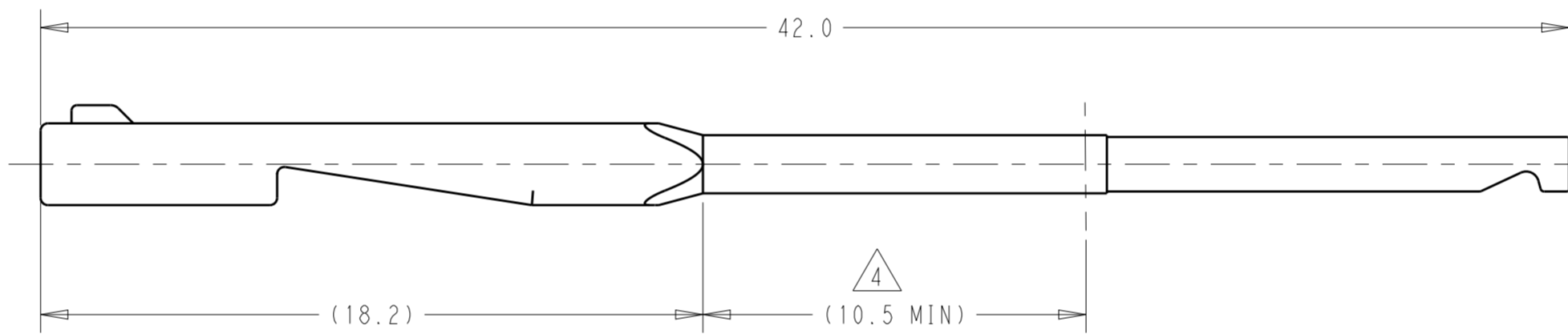
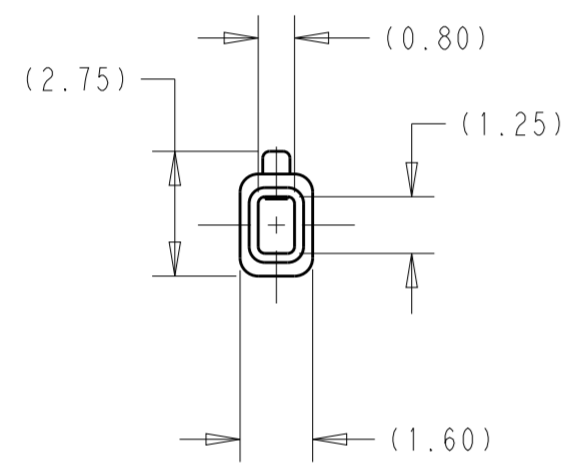


REVISIONS

P	LTR	DESCRIPTION	DATE	DWN	APVD
A		REVISED PER ECO-20-015752	06NOV2020	AB	DW

1. PART NUMBER 2377194-1 AS SHOWN ON DRAWING.
2. MATERIAL: PBT, 15% GLASS FILLED.
COLOR: SEE TABLE
3. NOTE DELETED.
4. SEALING SURFACE IN THIS AREA.



SCALE 3:1

NATURAL	CAVITY PLUG, MAT SEAL, 0.64 GENERATION Y, MALE	2377194-1
COLOR	DESCRIPTION	PART NO

THIS DRAWING IS A CONTROLLED DOCUMENT.		DWN A. BETGAR 28 JUL 2020	TE Connectivity	
		CHK D. WISSLER 29 JUL 2020		
		APVD D. BROWN 30 JUL 2020	NAME CAVITY PLUG, MAT SEAL, 0.64 GENERATION Y, MALE	
DIMENSIONS: mm		PRODUCT SPEC	SIZE CAGE CODE DRAWING NO RESTRICTED TO	
TOLERANCES UNLESS OTHERWISE SPECIFIED:		APPLICATION SPEC	A2 00779 C-2377194 -	
0 PLC ±-		WEIGHT	SCALE 6:1 SHEET 1 OF 1 REV A	
1 PLC ±0.4		CUSTOMER DRAWING		
2 PLC ±0.20				
3 PLC ±-				
4 PLC ±-				
ANGLES ±1°				
FINISH				
MATERIAL				
2				