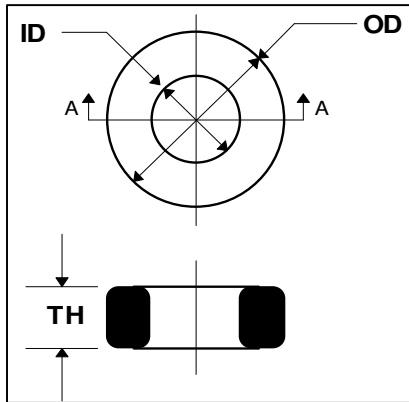


Steward



CORE DIMENSIONS				28T0301-100			
UNCOATED CORE							
	MM	INCHES		MM	INCHES		
OD	7.62	(.300)	±	.15	(.006)		
ID	3.18	(.125)	±	.13	(.005)		
TH	3.18	(.125)	±	.13	(.005)		
SINGLE PARAYLENE				28T0301-10P			
OD	7.65	(.301)	±	.15	(.006)		
ID	3.15	(.124)	±	.13	(.005)		
TH	3.20	(.126)	±	.13	(.005)		

WEIGHT / K 0.58 KGS 1.29 KGS
 INITIAL PERMEABILITY 850

ROOM TEMPERATURE ELECTRICAL SPECIFICATION									
	MIN. TOL.	MIN. (μH)	NOM. (μH)	MAX. (μH)	MAX. TOL.	FREQ. (kHz)	VOLT. (mV)	GAUSS	TURNS
L	-20.0%	0.378	0.473	0.567	20.0%	100	2.94	10	1
Q		Ref					2.94	10	1
Net impedance	MIN TOL	MIN (ohm)	NOM (ohm)			FREQ. (MHz)			TURNS
Z1 (Ref)	-25.0%	14.93	19.91			25	-	-	1
Z2	-25.0%	28.20	37.60			150	-	-	1

COATING SPECIFICATIONS			
TYPE	Max. Coating (mm / mils.)	Min. DLB VAC	TEST FORCE (LB)
Paraylene	(0.0127 / 0.5)	1000	.58



Rev	Description	Date	INT
A	Original Draft	10/28/97	TPM
B	Revised gauss level to 10	12/17/03	TPM
C	Reactive, revised the template, removed "Q" coating spec	12/14/2006	Jlei

Date: 12/14/2006	DWG # 28T0301-10P-C	Rev:
Drawn By: Jlei	Title # 28T0301-10P	C

Steward This document contains information which is proprietary to Steward. No production or publication of this document in whole or in part shall be made without written authorization from Steward.

UNCONTROLLED DOCUMENT